

Column Sump Non-Clog Sewage Ejectors

PUMP NO. FOR: CERT. BY: _____ DATE: _____	PUMP: TDH: GPM: SIZE & TYPE:	MOTOR: HP: RPM: PHASE: ENCLOSURE:	VOLTS: HZ: FRAME:
---	--	--	--

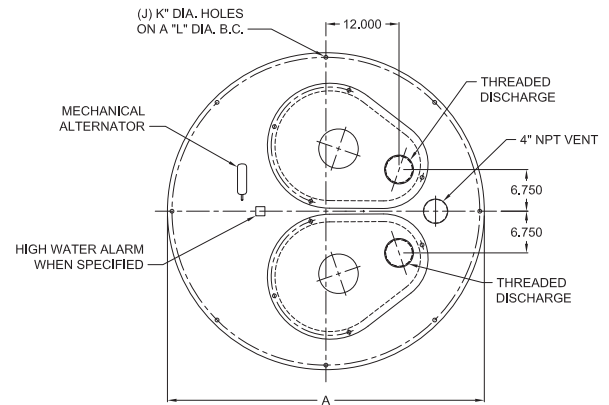
Pumps					
Size & Type	RPM	Shaft Group	Dis.	H	X
3322SM-VS	1150	1	3	4.25	1.97
3322SM-VS	1750	1	3	4.25	1.97
4322SM-VS	1150	1	4	4.25	1.97
4322SM-VS	1750	1	4	4.25	1.97
4323SM-VS	1150	1	4	3.50	.19
4323SM-VS	1750	1	4	3.50	.19
4323SML-VS	1150	1	4	3.50	.19
4323SML-VS	1750	1	4	3.50	.19
3402SM-VS	1150	2	3	5.68	3.22
3402SM-VS	1750	3	3	5.69	3.22
4403SML-VS	1150	2	4	4.56	1.38
4403SML-VS	1750	2	4	4.56	1.38
3402SML-VS	1150	2	3	5.68	3.22
3402SML-VS	1750	2	3	5.68	3.22
4402SM-VS	1150	2	4	5.68	3.22
4402SM-VS	1750	3	4	5.69	3.22
4402SML-VS	1150	2	4	5.68	3.22
4402SML-VS	1750	2	4	5.68	3.22
4403SM-VS	1750	3	4	4.47	1.44

Motors					
Single Phase		Three Phase		Motor Frame	C
1150	1750	1150	1750		
0.50	.75	.50	.75	56C	12.00
	1	.75	1	143TC	15.00
		1	1.5	145TC	15.00
	1.5		2	145TC	15.00
	2	1.5	3	182TC	18.50
	3	2	5	184TC	18.50
	5	3	7.5	213TC	22.00
		5	10	215TC	22.00
		7.5	15	254TC	25.00
		10	20	256TC	25.00
			25	284TC	27.00
			30	286TC	27.00

Basin Covers					
B Sump Dia.	A Cover Dia.	E Cover Thickness	Cover Drilling		
			J	K	L
48.00	52.00	.50	8	.63	50.50
60.00	66.00	.50	8	.63	64.00
72.00	78.00	.63	8	.75	76.00

Vapor Tight	
Yes	<input type="checkbox"/>
No	<input type="checkbox"/>

Sump Depth	No. Int. Brgs.	
	Shaft Group 1	Shaft Group 2 & 3
4'-0"	0	0
4'-6"	0	0
5'-0"	0	0
5'-6"	1	0
6'-0"	1	0
7'-0"	1	1
8'-0"	1	1
9'-0"	1	1
10'-0"	2	1
11'-0"	2	2
12'-0"	2	2
13'-0"	2	2
14'-0"	3	2
15'-0"	3	3



VENT & COVER DRILLING FOR VAPOR TIGHT CONSTRUCTION ONLY WHEN SPECIFIED

