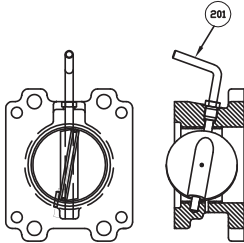


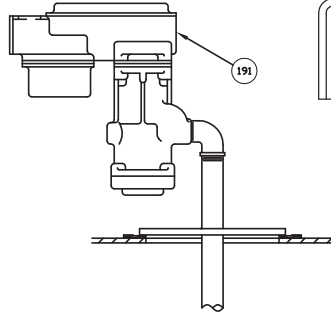
ISOLATION VALVE

(When Specified)



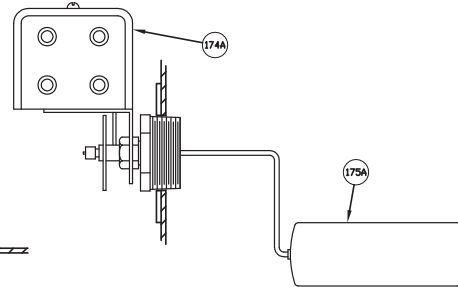
ELECTRIC WATER FEEDER

(When Specified)



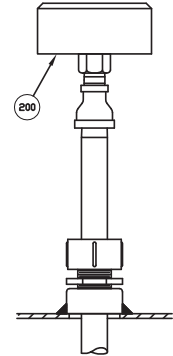
SIDE MOUNTED ALTERNATOR

(Standard for Duplex Units)



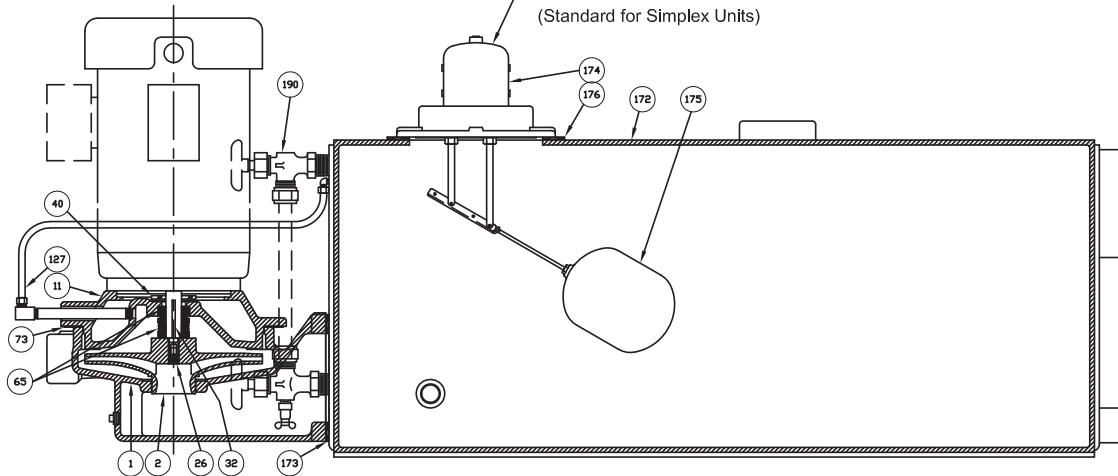
HIGH WATER ALARM

(When Specified)



FLOAT SWITCH

(Standard for Simplex Units)



WARNING:

CANCER AND REPRODUCTIVE HARM -
WWW.P65WARNINGS.CA.GOV

| Item No. | Name of Part | Materials of Construction | Item No. | Name of Part | Materials of Construction |
|----------|---|---------------------------|----------|--------------------------------|---------------------------|
| 1 | Casing | Cast Iron | 127 | Seal Vent Piping | Copper |
| * 2 | Impeller | Bronze | 172A | Receiver | Cast Iron |
| * 11 | Casing Cover | Cast Iron | * 173 | Receiver Gasket | Rubber |
| * 26 | Impeller Screw | Stainless | 174 | Float Switch | Sq. D #9037 |
| * 28 | Impeller Screw Washer | Stainless | 174A | Mechanical Alternator | Sq. D #9038 |
| * 32 | Impeller Key | Stainless | 175 | Float (Float Switch) | Copper |
| 40 | Deflector (Liquid) | Neoprene | 175A | Float (Alternator) | Copper |
| †* 65 | Mechanical Shaft Seal (Stationary Element) | Ni-Resist | 176 | Float Switch Gasket | Rubber |
| 73 | Casing Gasket | Cork-Cellulose | 190 | Water Gauge | Brass |
| †80 | Mechanical Shaft Seal (Rotating Element) | Carbon | 191 | Make-up Valve (When Specified) | McDonnell #101 |

† Furnished only in Pairs as complete units

* For domestic service we recommend these parts be carried in stock as spares

Assembly Parts

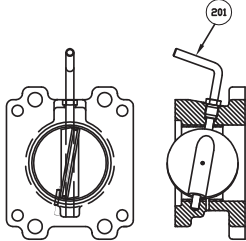


Types ACV & AEV Vertical Condensate Unit Steel Receivers
with Type 21 Mechanical Shaft Seal - Bulletin Repair Parts - 910

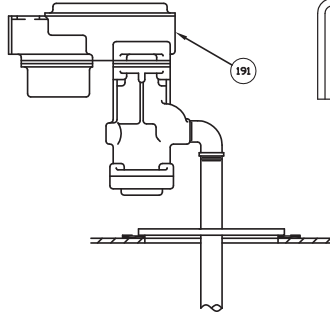
www.cranepumps.com

Repair Parts

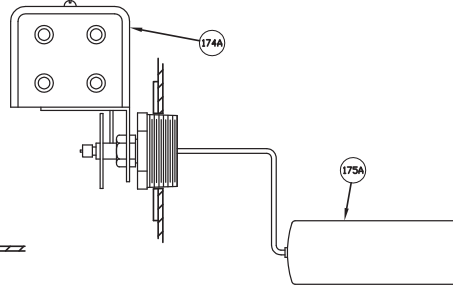
ISOLATION VALVE
(When Specified)



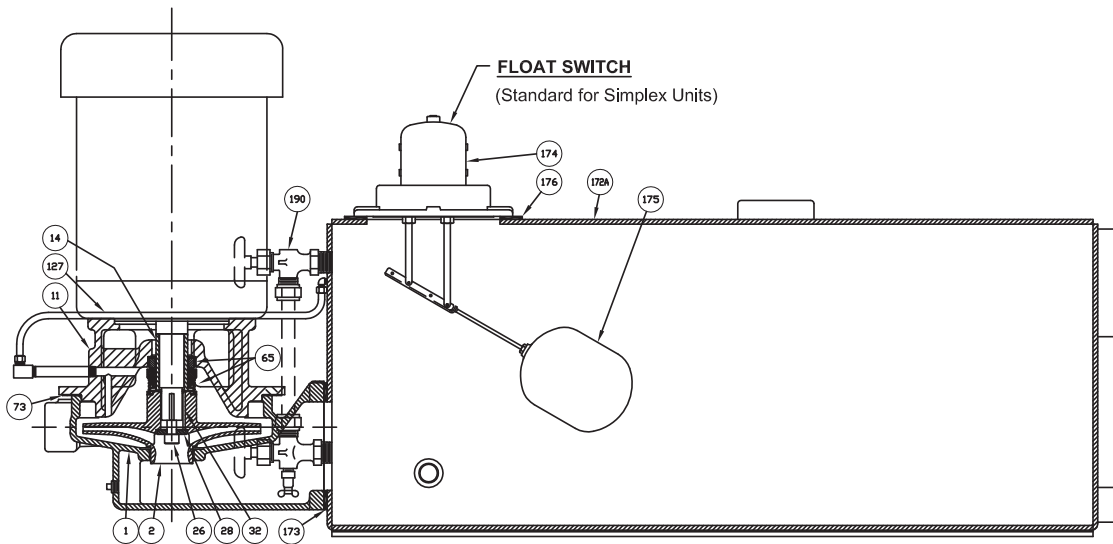
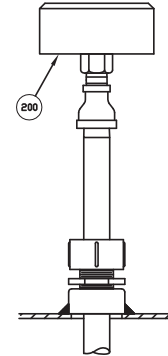
ELECTRIC WATER FEEDER
(When Specified)



SIDE MOUNTED ALTERNATOR
(Standard for Duplex Units)



HIGH WATER ALARM
(When Specified)



FLOAT SWITCH
(Standard for Simplex Units)



WARNING:
CANCER AND REPRODUCTIVE HARM -
WWW.P65WARNINGS.CA.GOV

| Item No. | Name of Part | Materials of Construction | Item No. | Name of Part | Materials of Construction |
|----------|--|---------------------------|----------|--|---------------------------|
| 1 | Casing | Cast Iron | †80 | Mechanical Shaft Seal (Rotating Element) | Carbon |
| * 2 | Impeller | Bronze | 127 | Seal Vent Piping | Copper |
| * 14 | Shaft Sleeve | Bronze | Receiver | Receiver | Cast Iron |
| * 26 | Impeller Screw | Stainless | * 173 | Receiver Gasket | Rubber |
| * 28 | Impeller Screw Washer | Stainless | 174 | Float Switch | Sq. D #9037 |
| * 32 | Impeller Key | Stainless | 174A | Mechanical Alternator | Sq. D #9038 |
| 40 | Deflector (Liquid) | Neoprene | 175 | Float (Float Switch) | Copper |
| †* 65 | Mechanical Shaft Seal (Stationary Element) | Ni-Resist | 175A | Float (Alternator) | Copper |
| 73 | Casing Gasket | Cork-Cellulose | 176 | Float Switch Gasket | Rubber |
| | | | 190 | Water Gauge | Brass |
| | | | 191 | Make-up Valve (When Specified) | McDonnell #101 |

† Furnished only in Pairs as complete units
* For domestic service we recommend these parts be carried in stock as spares

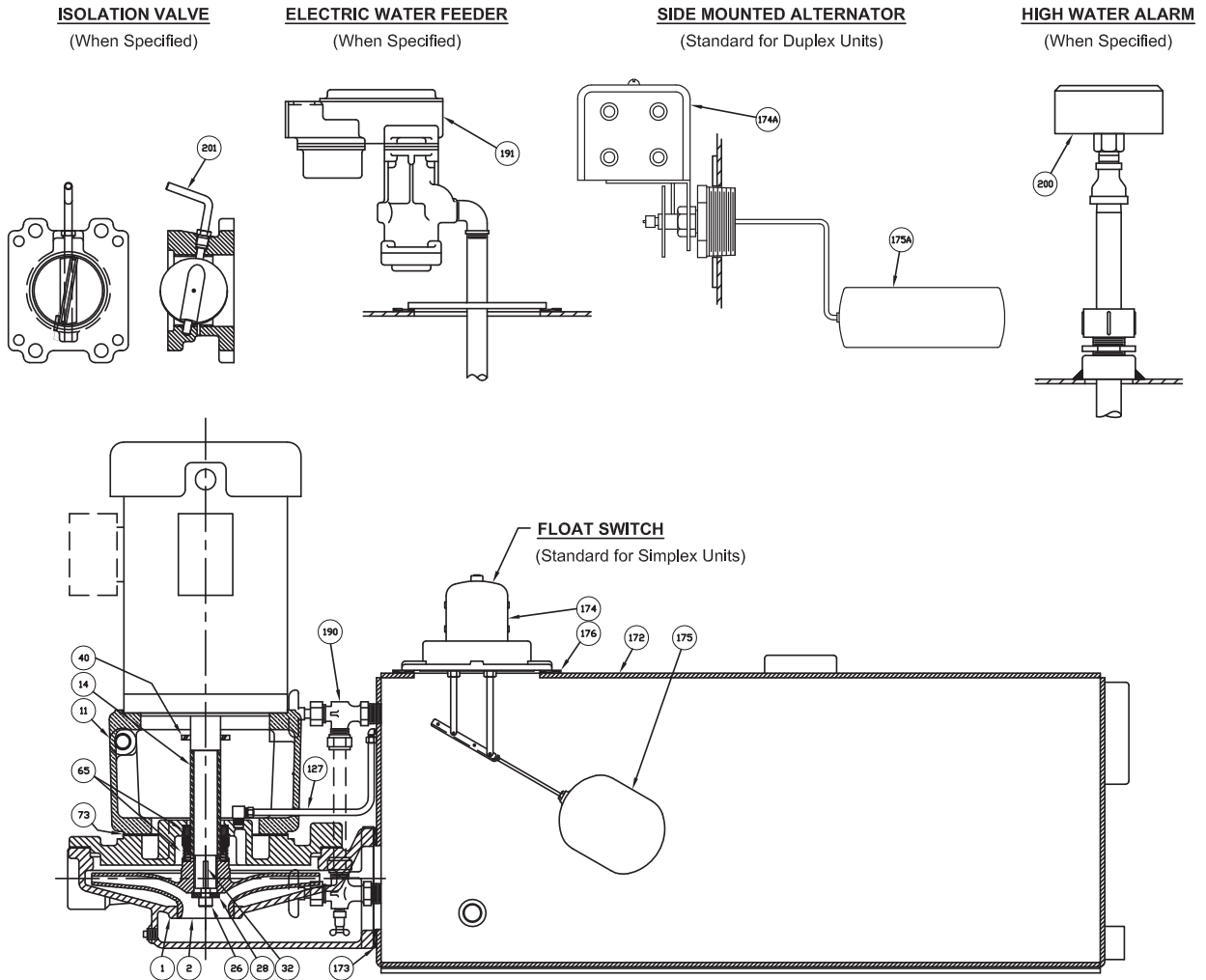
SECTION RP
PAGE 168
DATE 10/18



A Crane Co. Company

PUMPS & SYSTEMS

USA: (937) 778-8947 • Canada: (905) 457-6223 • International: (937) 615-3598



WARNING:
CANCER AND REPRODUCTIVE HARM -
WWW.P65WARNINGS.CA.GOV

| Item No. | Name of Part | Materials of Construction | Item No. | Name of Part | Materials of Construction |
|----------|--|---------------------------|----------|--|---------------------------|
| 1 | Casing | Cast Iron | †80 | Mechanical Shaft Seal (Rotating Element) | Carbon |
| * 2 | Impeller | Bronze | 127 | Seal Vent Piping | Copper |
| 11 | Casing Cover | Cast Iron | 172A | Receiver | Cast Iron |
| * 14 | Shaft Sleeve | Bronze | * 173 | Receiver Gasket | Rubber |
| * 26 | Impeller Screw | Stainless | 174 | Float Switch | Sq. D #9037 |
| * 28 | Impeller Screw Washer | Stainless | 174A | Mechanical Alternator | Sq. D #9038 |
| * 32 | Impeller Key | Stainless | 175 | Float (Float Switch) | Copper |
| 40 | Deflector (Liquid) | Neoprene | 175A | Float (Alternator) | Copper |
| †* 65 | Mechanical Shaft Seal (Stationary Element) | Ni-Resist | 176 | Float Switch Gasket | Rubber |
| 73 | Casing Gasket | Cork-Cellulose | 190 | Water Gauge | Brass |
| | | | 191 | Make-up Valve (When Specified) | McDonnell #101 |

† Furnished only in Pairs as complete units

* For domestic service we recommend these parts be carried in stock as spares

Repair Parts

| 910 Series Steel Receiver - Simplex | | 6S | 10S | 20S | 30S | 45S | Qty. |
|-------------------------------------|------------------------------------|--------------|--------------|--------------|--------------|---------------|------|
| | Blank Flange (Steel) | - | A5670-E4 | A5670-E4 | A5670-E4 | A5670-E4 | 1 |
| | Blank Flange (Steel) | - | A5671-E4 | A5671-E4 | A5671-E4 | A5671-E4 | 1 |
| 176 | Float Gasket (Rubber) | A6579-L6 | A6579-L6 | A6579-L6 | A6579-L6 | A6579-L6 | 2 |
| 173 | Receiver Gasket (Rubber) | A8386-L6 | A8386-L6 | A8386-L6 | A8386-L6 | A8386-L6 | 2 |
| 172A | Receiver (Steel) | D4505-2-E4 | D6198-E4 | C6195-E4 | C6196-E4 | C5653-E4 | 1 |
| 190 | Water Gauge Assembly (Brass) | Q46-10-C2 | Q46-10-C2 | Q46-7-C2 | Q46-7-C2 | Q46-7-C2 | 1 |
| | Water Gauge Valve Assembly (Brass) | Q46-14-C2 | Q46-14-C2 | Q46-14-C2 | Q46-14-C2 | Q46-14-C2 | 1 |
| | Water Gauge Glass Tube | Q46-24 | Q46-24 | Q46-15 | Q46-15 | Q46-15 | 1 |
| | Brass water Gauge Rod | Q46-25 | Q46-25 | Q46-16 | Q46-16 | Q46-16 | 2 |
| 174 | Float Switch Assembly | Q51-61 | Q51-61 | Q51-61 | Q51-61 | Q51-61 | 1 |
| | Float Switch | Q51-62 | Q51-62 | Q51-62 | Q51-62 | Q51-62 | 1 |
| | Float Rod | Q51-67 | Q51-67 | Q51-67 | Q51-67 | Q51-67 | 1 |
| 175 | Float (303 SS) | Q55-7-J8 | Q55-7-J8 | Q55-7-J8 | Q55-7-J8 | Q55-7-J8 | 1 |
| 191 | Make-up Valve | Q47-18 | Q47-18 | Q47-18 | Q47-18 | Q47-18 | 1 |
| 191A | McDonnell 101A Feeder | Q47-18-KIT | Q47-18-KIT | Q47-18-KIT | Q47-18-KIT | Q47-18-KIT | 1 |
| | Water Feeder Kit | | | | | | |
| | Q48-18-(1) | | | | | | |
| | A5695-E4-(1) | | | | | | |
| | Q29-145-E4-(1) | | | | | | |
| | Q51-61R-(1) | | | | | | |
| | Options: | | | | | | |
| | 2" Y-Strainer | Q48-7-A2-KIT | Q48-7-A2-KIT | Q48-7-A2-KIT | Q48-7-A2-KIT | Q48-7-A2-KIT | 1 |
| | 2½" Y-Strainer | | | | | | 1 |
| | 3" Y-Strainer | | | | | Q48-27-A2-KIT | 1 |
| | 4" Strainer | | | | | | 1 |
| | Isolation Valve | 67635 | 67635 | 67635 | 67635 | 67635 | 1 |
| | Thermometer | Q59-51 | Q59-51 | Q59-51 | Q59-51 | Q59-51 | 1 |

For Pump P/N refer to Section 120

| 910 Series Steel Receiver - Simplex | | 60S | 80S | 100S | 125S | 150S | Qty. |
|-------------------------------------|------------------------------------|---------------|---------------|---------------|----------|---------------|------|
| | Blank Flange (Steel) | A5670-E4 | | A5670-E4 | | A5670-E4 | 1 |
| | Blank Flange (Steel) | A5671-E4 | | | | A5671-E4 | 1 |
| 176 | Float Gasket (Rubber) | A6579-L6 | | A6579-L6 | | A6579-L6 | 2 |
| 173 | Receiver Gasket (Rubber) | A8386-L6 | | A8386-L6 | | A8386-L6 | 2 |
| 172A | Receiver (Steel) | C5654-E4 | C5655-E4 | A5656-E4 | C6572-E4 | C6573-E4 | 1 |
| 190 | Water Gauge Assembly (Brass) | Q46-7-C2 | Q46-8-C2 | Q46-8-C2 | | Q46-8-C2 | 1 |
| | Water Gauge Valve Assembly (Brass) | Q46-14-C2 | | Q46-14-C2 | | Q46-14-C2 | 1 |
| | Water Gauge Glass Tube | Q46-15 | Q46-18 | Q46-18 | | Q46-18 | 1 |
| | Brass water Gauge Rod | Q46-16 | Q46-19 | Q46-19 | | Q46-19 | 2 |
| 174 | Float Switch Assembly | | Q51-61 | Q51-61 | | Q51-61 | 1 |
| | Float Switch | | Q51-62 | Q51-62 | | Q51-62 | 1 |
| | Float Rod | | Q51-67 | Q51-67 | | Q51-67 | 1 |
| 175 | Float (303 SS) | | Q55-7-J8 | Q55-7-J8 | | Q55-7-J8 | 1 |
| 191 | Make-up Valve | Q47-18 | | Q47-18 | | Q47-18 | 1 |
| 191A | McDonnell 101A Feeder | Q47-18-KIT | | Q47-18-KIT | | Q47-18-KIT | 1 |
| | Water Feeder Kit | | | | | | |
| | Q48-18-(1) | | | | | | |
| | A5695-E4-(1) | | | | | | |
| | Q29-145-E4-(1) | | | | | | |
| | Q51-61R-(1) | | | | | | |
| | Options: | | | | | | |
| | 2" Y-Strainer | | | | | | 1 |
| | 2½" Y-Strainer | | | | | | 1 |
| | 3" Y-Strainer | Q48-15-A2-KIT | | | | | 1 |
| | 4" Strainer | | Q48-16-A2-KIT | Q48-16-A2-KIT | | Q48-16-A2-KIT | 1 |
| | Isolation Valve | 67635 | | 67635 | | 67635 | 1 |
| | Thermometer | Q59-51 | | Q59-51 | | Q59-51 | 1 |

For Pump P/N refer to Section 120

Repair Parts

| 910 Series Steel Receiver - Duplex | D10S | D20S | D30S | D45S | D60S | Qty. |
|------------------------------------|--------------|----------|---------------|---------------|---------------|------|
| Blank Flange (Steel) | A5670-E4 | | A5670-E4 | | A5670-E4 | 1 |
| Float Gasket (Rubber) | A6579-L6 | | A6579-L6 | | A6579-L6 | 2 |
| Receiver Gasket (Rubber) | A8386-L6 | | A8386-L6 | | A8386-L6 | 2 |
| Receiver (Steel) | D6198-E4 | C6195-E4 | C6196-E4 | C5653-E4 | C5654-E4 | 1 |
| Water Gauge Assembly (Brass) | Q46-10-C2 | Q46-7-C2 | Q46-7-C2 | Q46-7-C2 | Q46-7-C2 | 1 |
| Water Gauge Valve Assembly (Brass) | Q46-14-C2 | | Q46-14-C2 | | Q46-14-C2 | 1 |
| Water Gauge Glass Tube | Q46-24 | Q46-15 | Q46-15 | | Q46-15 | 1 |
| Brass water Gauge Rod | Q46-25 | Q46-16 | Q46-16 | | Q46-16 | 2 |
| Float Switch Assembly | Q51-33 | | Q51-33 | | Q51-33 | 1 |
| Float Switch | Q51-173 | | Q51-173 | | Q51-173 | 1 |
| Float Rod | Q51-66 | | Q51-66 | | Q51-66 | 1 |
| Float (303 SS) | Q55-7-J8 | | Q55-7-J8 | | Q55-7-J8 | 1 |
| Make-up Valve | Q47-18 | | Q47-18 | | Q47-18 | 1 |
| McDonnell 101A Feeder | Q47-18-KIT | | Q47-18-KIT | | Q47-18-KIT | 1 |
| Water Feeder Kit | | | | | | |
| Q48-18-(1) | | | | | | |
| A5695-E4-(1) | | | | | | |
| Q29-145-E4-(1) | | | | | | |
| Q51-61R-(1) | | | | | | |
| Options: | | | | | | |
| 2" Y-Strainer | Q48-7-A2-KIT | | | | | 1 |
| 2½" Y-Strainer | | | Q48-27-A2-KIT | | | 1 |
| 3" Y-Strainer | | | | Q48-15-A2-KIT | Q48-15-A2-KIT | 1 |
| 4" Strainer | | | | | | 1 |
| Isolation Valve | 67635 | | 67635 | | 67635 | 1 |
| Thermometer | Q59-51 | | Q59-51 | | Q59-51 | 1 |

For Pump P/N refer to Section 120

| 910 Series Steel Receiver - Duplex | | D80S | D100S | D125S | D150S | Qty. |
|------------------------------------|------------------------------------|---------------|----------|---------------|----------|------|
| | Blank Flange (Steel) | A5670-E4 | | A5670-E4 | | 1 |
| 176 | Float Gasket (Rubber) | A6579-L6 | | A6579-L6 | | 2 |
| 173 | Receiver Gasket (Rubber) | A8386-L6 | | A8386-L6 | | 2 |
| 172A | Receiver (Steel) | C5655-E4 | C5656-E4 | C6572-E4 | C6573-E4 | 1 |
| 190 | Water Gauge Assembly (Brass) | Q46-8-C2 | | Q46-8-C2 | | 1 |
| | Water Gauge Valve Assembly (Brass) | Q46-14-C2 | | Q46-14-C2 | | 1 |
| | Water Gauge Glass Tube | Q46-18 | | Q46-18 | | 1 |
| | Brass water Gauge Rod | Q46-19 | | Q46-19 | | 2 |
| 174 | Float Switch Assembly | Q51-54 | | Q51-54 | | 1 |
| | Float Switch | Q51-173 | | Q51-173 | | 1 |
| | Float Rod | Q51-104 | | Q51-104 | | 1 |
| 175A | Float | Q55-7-J8 | | Q55-7-J8 | | 1 |
| 191 | McDonnell 101A Feeder | Q47-18 | | Q47-18 | | 1 |
| 191A | Water Feeder Kit | Q47-18-KIT | | Q47-18-KIT | | 1 |
| | Q48-18-(1) | | | | | |
| | A5695-E4-(1) | | | | | |
| | Q29-145-E4-(1) | | | | | |
| | Q51-61R-(1) | | | | | |
| | Options: | | | | | |
| | 2" Y-Strainer | | | | | 1 |
| | 2½" Y-Strainer | | | | | 1 |
| | 3" Y-Strainer | | | | | 1 |
| | 4" Strainer | Q48-16-A2-KIT | | Q48-16-A2-KIT | | 1 |
| | Thermometer | Q59-51 | | Q59-51 | | 1 |
| | Isolation Valve | 67635 | | 67635 | | 1 |

For Pump P/N refer to Section 120