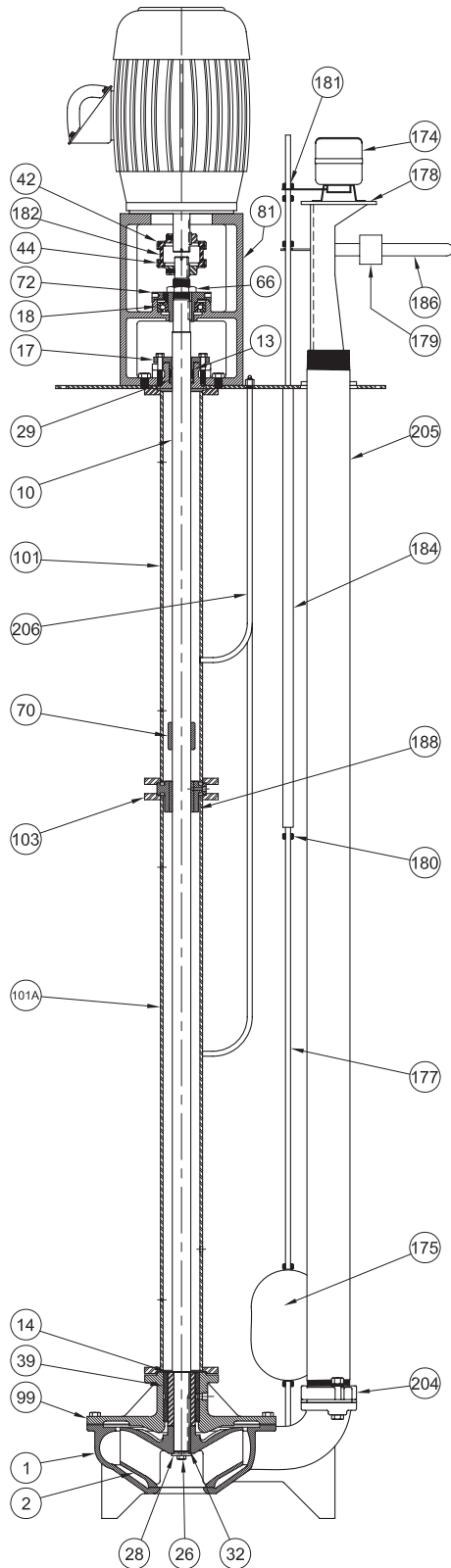


Column Sump Non-Clog Sewage Ejectors



Item No.	Description
1	Casing
* 2	Impeller
10	Shaft (One Piece)
†† 10A	Shaft (Upper)
†† 10B	Shaft (Lower)
* 13	Packing
* 14	Shaft Sleeve
17	Gland
* 18	Thrust Bearing
* 26	Impeller Screw
* 28	Impeller Screw Washer
29	Seal Cage
* 32	Impeller Key
* 39	Bearing Bushing
42	Coupling (Driver Half)
44	Coupling (Pump Half)
66	Shaft Adjusting Nut
†† 70	Shaft Coupling
72	Thrust Collar
81	Driver Pedestal
99	Bearing Housing
101	Column Pipe
† 101A	Column Pipe (Lower)
† 103	Intermediate Bearing
174	Float Switch (Simplex Units)
174A	Mech. Alternator (Duplex Units)
175	Float
177	Float Rod
178	Float Switch Bracket
179	Counterweight
180	Float Rod Stops (Lower)
181	Float Rod Stops (Upper)
* 182	Coupling Sleeve
184	Float Rod Guide Pipe
186	Counterweight Arm
† 188	Intermediate Bearing Housing
204	Discharge Pipe Flange
205	Discharge Pipe
206	Grease Lines
N.S.	Adapter Plate - required on the models listed below:
	3402SML-VS 1150 & 1750 RPM
	4402SML-VS 1150 & 1750 RPM
	4403SML-VS 1150 & 1750 RPM
	3402SM-VS 1150 RPM
	3402SM-VS 1150 RPM

† Furnished only when sump depth exceeds 5 feet for Shaft Group 1 Pumps or 6 feet for Shaft Group 2 & 3 Pumps

†† Furnished only when sump depth exceeds 14 feet

* For Domestic Service we recommend these parts be carried in stock as spares.