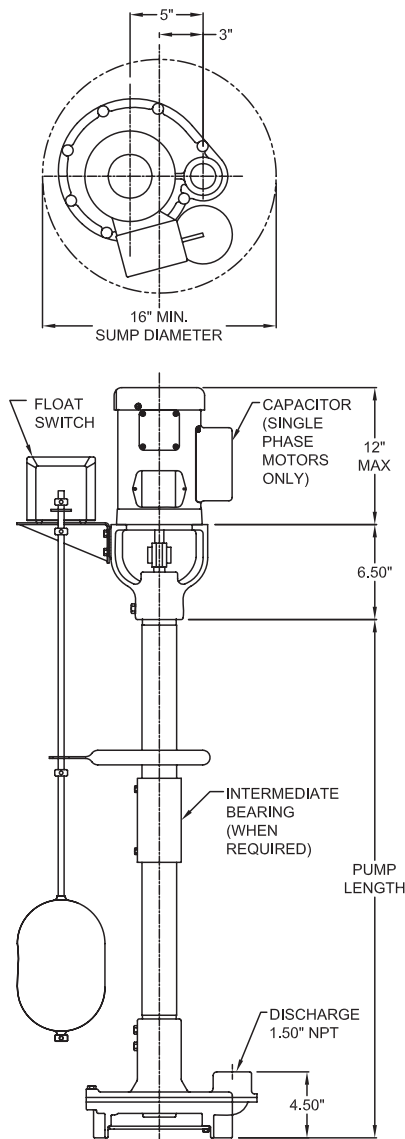


Column Sump Pumps

PUMP NO.		PUMP:		MOTOR:		VOLTS:	
FOR:		TDH:		HP:		HZ:	
CERT. BY:		GPM:		RPM:		FRAME:	
DATE:		SIZE & TYPE:		PHASE:		ENCLOSURE:	
Model		A Pump Length		B Sump Depth		Standard Pump Lengths	
						Pump Length	
						No. Int. Bearings	
Sxx-2 / SAxx-2		26"		18" - 24"		2'	
Sxx-4 / SAxx-4		50"		25" - 48"		4'	
Sxx-6 / SAxx-6		74"		49" - 72"		6'	
Sxx-8 / SAxx-8		98"		73" - 96"		8'	

xx = motor HP and Phase

Model S



Model SA

