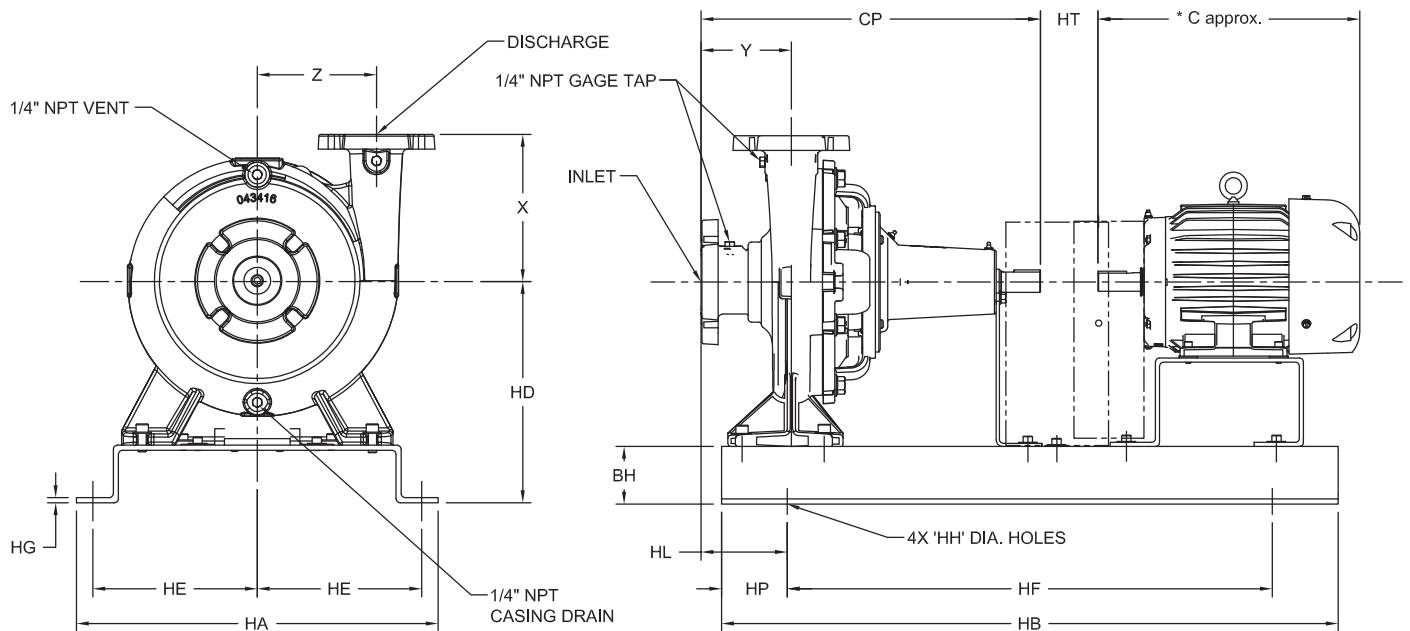


### End Suction Back Pull-Out

<b>PUMP NO.</b>	<b>PUMP:</b>	<b>MOTOR:</b>	<b>VOLTS:</b>
<b>FOR:</b>	<b>TDH:</b>	<b>HP:</b>	<b>HZ:</b>
<b>CERT. BY:</b>	<b>GPM:</b>	<b>RPM:</b>	<b>FRAME:</b>
<b>DATE:</b>	<b>FIGURE NO:</b>	<b>PHASE:</b>	<b>ENCLOSURE:</b>

**CONNECTIONS FOR 125# STANDARD FLANGES**

PUMP	DISCH. (INCH)	INLET (INCH)	HL	X	Y	Z	CP
1.5R	1.50	2.00	5.31	7.50	5.00	6.75	16.38



**NOTES:**

- 1) All Dimension  $\pm .13$
- 2) Dimension \* C will vary based on motor brand

**CONNECTIONS FOR 125# STANDARD FLANGES**

Motor Frame	Base No.	Riser No.	Guard No.	Guard Ext.	* C	HA	HB	HD	HE	HF	HG	HH	HP	HT	BH
145T	135320	137229	135338	N/A	12.29	22.00	33.00	13.50	10.00	25.00	0.31	0.75	4.00	3.50	3.50
182T	135320	134899	135338	135332	15.93	22.00	33.00	13.50	10.00	25.00	0.31	0.75	4.00	3.50	3.50
184T	135320	134899	135338	135332	15.93	22.00	33.00	13.50	10.00	25.00	0.31	0.75	4.00	3.50	3.50
213T	135321	134894	135337	N/A	17.89	22.00	37.00	13.50	10.00	29.00	0.31	0.75	4.00	3.50	3.50
215T	135321	134894	135337	N/A	17.89	22.00	37.00	13.50	10.00	29.00	0.31	0.75	4.00	3.50	3.50
254T	134898-02	134888	135335	135324	23.28	22.00	40.00	13.50	10.00	32.00	0.31	0.75	4.00	3.50	3.50

\* = Quantity 4 Spacer Blocks.

# Types "R"

Models 1.5R, Small  
Metric (Millimeters)

# WEINMAN®

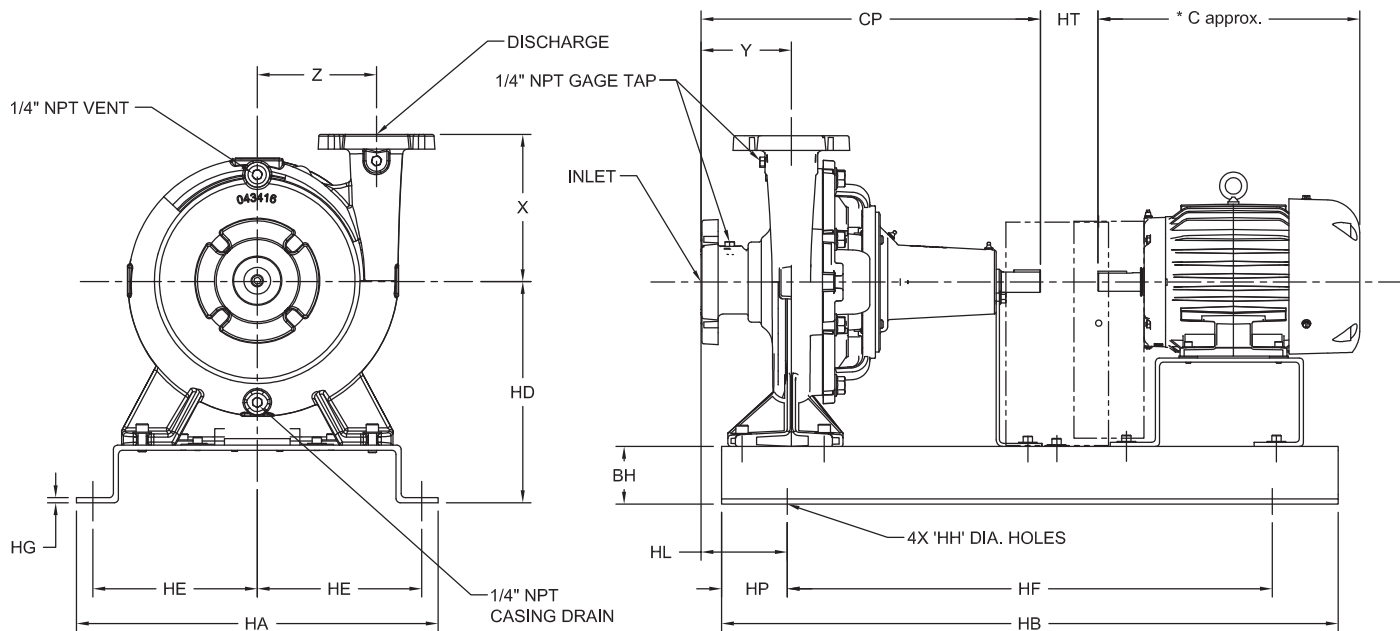
www.cranepumps.com

## End Suction Back Pull-Out

PUMP NO.		PUMP: TDH: GPM:		MOTOR: HP: RPM: PHASE: ENCLOSURE:		VOLTS: HZ: FRAME:	
FOR:		DATE:		FIGURE NO:			
CERT. BY:							

### CONNECTIONS FOR 125# STANDARD FLANGES

PUMP	DISCH. (INCH)	INLET (INCH)	HL	X	Y	Z	CP
1.5R	1.50	2.00	135	191	127	172	416



- NOTES:  
1) All Dimension  $\pm$  3mm  
2) Dimension \* C will vary based on motor brand

### CONNECTIONS FOR 125# STANDARD FLANGES

Motor Frame	Base No.	Riser No.	Guard No.	Guard Ext.	* C	HA	HB	HD	HE	HF	HG	HH	HP	HT	BH
145T	135320	137229	135338	N/A	312	559	838	343	254	635	8	19	102	89	89
182T	135320	134899	135338	135332	405	559	838	343	254	635	8	19	102	89	89
184T	135320	134899	135338	135332	405	559	838	343	254	635	8	19	102	89	89
213T	135321	134894	135337	N/A	454	559	940	343	254	737	8	19	102	89	89
215T	135321	134894	135337	N/A	454	559	940	343	254	737	8	19	102	89	89
254T	134898-02	134888	135335	135324	591	559	1016	343	254	813	8	19	102	89	89

\* = Quantity 4 Spacer Blocks.

SECTION 575  
PAGE 84  
DATE 11/16

**CRANE**  
A Crane Co. Company

PUMPS & SYSTEMS

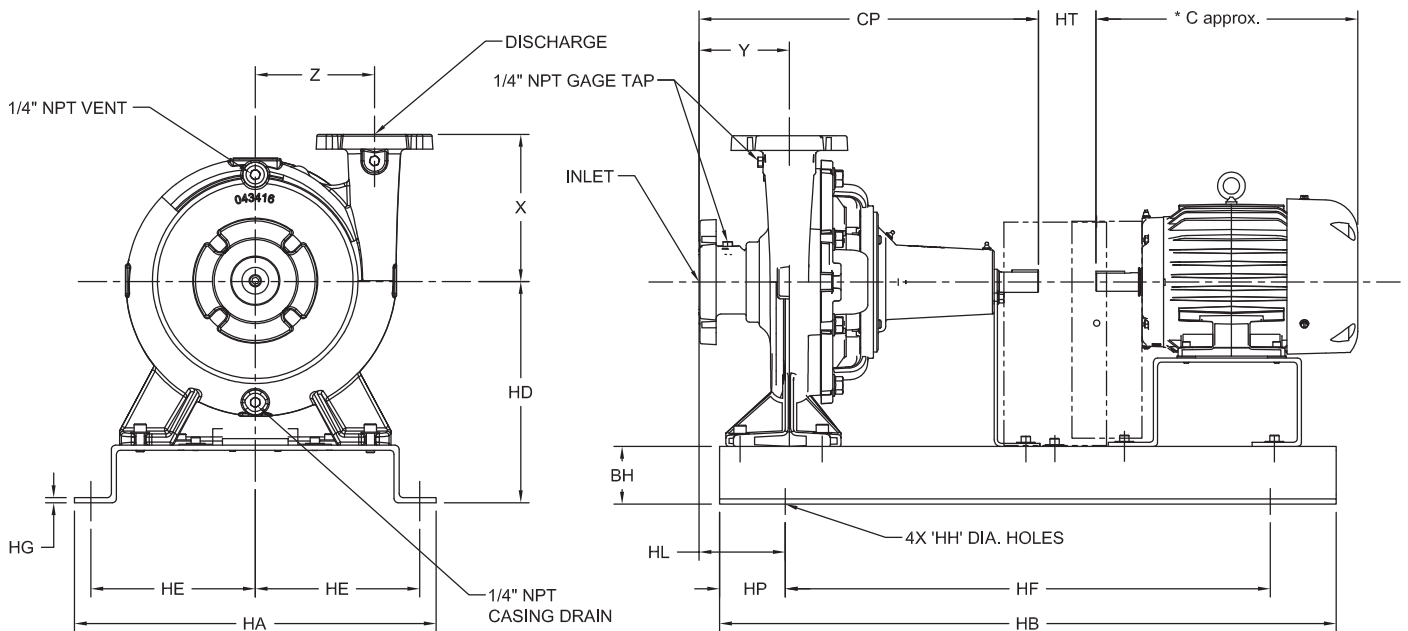
USA: (937) 778-8947 • Canada: (905) 457-6223 • International: (937) 615-3598

### End Suction Back Pull-Out

<b>PUMP NO.</b>	<b>PUMP:</b>	<b>MOTOR:</b>	<b>VOLTS:</b>
<b>FOR:</b>	<b>TDH:</b>	<b>HP:</b>	<b>HZ:</b>
<b>CERT. BY:</b>	<b>GPM:</b>	<b>RPM:</b>	<b>FRAME:</b>
<b>DATE:</b>	<b>FIGURE NO:</b>	<b>PHASE:</b>	<b>ENCLOSURE:</b>

**CONNECTIONS FOR 125# STANDARD FLANGES**

PUMP	DISCH. (INCH)	INLET (INCH)	HL	X	Y	Z	CP
2.5R	2.50	3.00	5.25	9.00	5.50	7.25	16.85



- NOTES:  
 1) All Dimension  $\pm .13$   
 2) Dimension \* C will vary based on motor brand

**CONNECTIONS FOR 125# STANDARD FLANGES**

Motor Frame	Base No.	Riser No.	Guard No.	Guard Ext.	* C	HA	HB	HD	HE	HF	HG	HH	HP	HT	BH
145T	135320	137229	135338	N/A	12.29	22.00	33.00	13.50	10.00	25.00	0.31	0.75	4.00	3.50	3.50
182T	135320	134899	135338	135332	15.93	22.00	33.00	13.50	10.00	25.00	0.31	0.75	4.00	3.50	3.50
184T	135320	134899	135338	135332	15.93	22.00	33.00	13.50	10.00	25.00	0.31	0.75	4.00	3.50	3.50
213T	135321	134894	135337	N/A	17.89	22.00	37.00	13.50	10.00	29.00	0.31	0.75	4.00	3.50	3.50
215T	135321	134894	135337	N/A	17.89	22.00	37.00	13.50	10.00	29.00	0.31	0.75	4.00	3.50	3.50
254T	134898-02	134888	135335	135324	23.28	22.00	40.00	13.50	10.00	32.00	0.31	0.75	4.00	3.50	3.50

\* = Quantity 4 Spacer Blocks.



# Types "R"

Models 2.5R, Small  
Metric (Millimeters)

# WEINMAN®

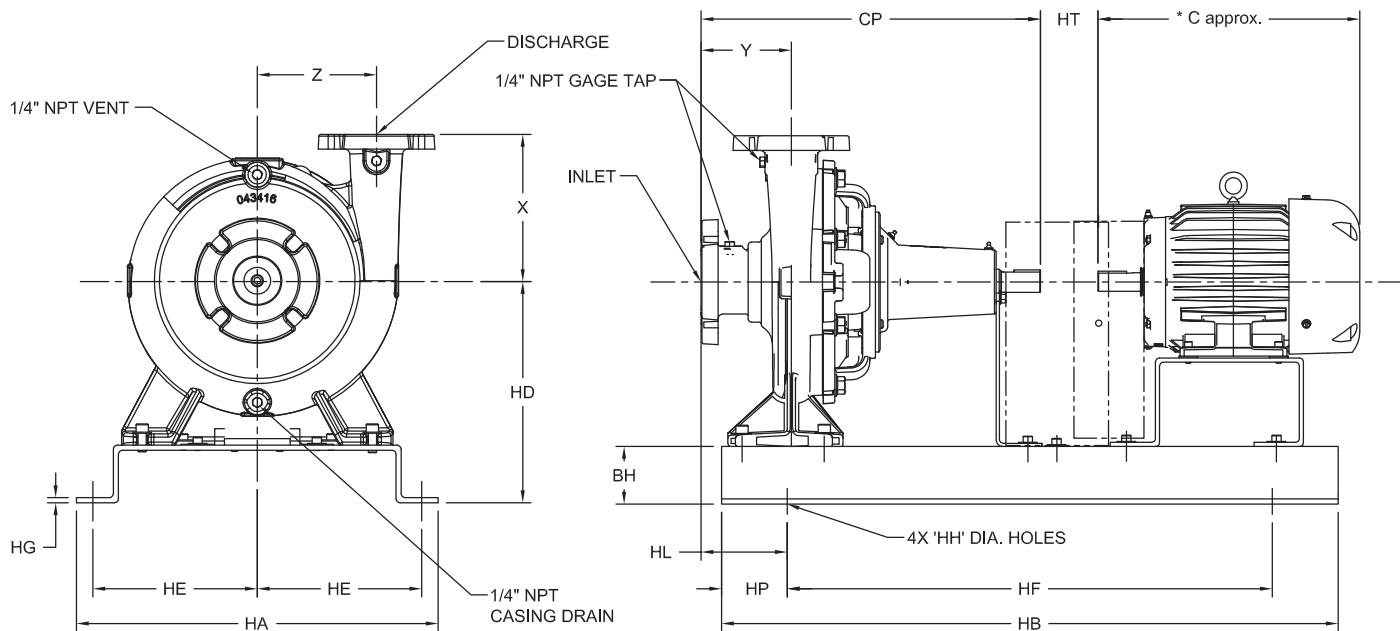
www.cranepumps.com

## End Suction Back Pull-Out

PUMP NO.		PUMP: TDH: GPM:		MOTOR: HP: RPM: PHASE: ENCLOSURE:		VOLTS: HZ: FRAME:	
FOR:		DATE:		FIGURE NO:			
CERT. BY:							

### CONNECTIONS FOR 125# STANDARD FLANGES

PUMP	DISCH. (INCH)	INLET (INCH)	HL	X	Y	Z	CP
2.5R	2.50	3.00	133	229	140	184	428



- NOTES:  
 1) All Dimension  $\pm$  3mm  
 2) Dimension \* C will vary based on motor brand

### CONNECTIONS FOR 125# STANDARD FLANGES

Motor Frame	Base No.	Riser No.	Guard No.	Guard Ext.	* C	HA	HB	HD	HE	HF	HG	HH	HP	HT	BH
145T	135320	137229	135338	N/A	312	559	838	343	254	635	8	19	102	89	89
182T	135320	134899	135338	135332	405	559	838	343	254	635	8	19	102	89	89
184T	135320	134899	135338	135332	405	559	838	343	254	635	8	19	102	89	89
213T	135321	134894	135337	N/A	454	559	940	343	254	737	8	19	102	89	89
215T	135321	134894	135337	N/A	454	559	940	343	254	737	8	19	102	89	89
254T	134898-02	134888	135335	135324	591	559	1016	343	254	813	8	19	102	89	89

\* = Quantity 4 Spacer Blocks.

SECTION 575  
PAGE 86  
DATE 11/16

**CRANE**  
A Crane Co. Company

PUMPS & SYSTEMS

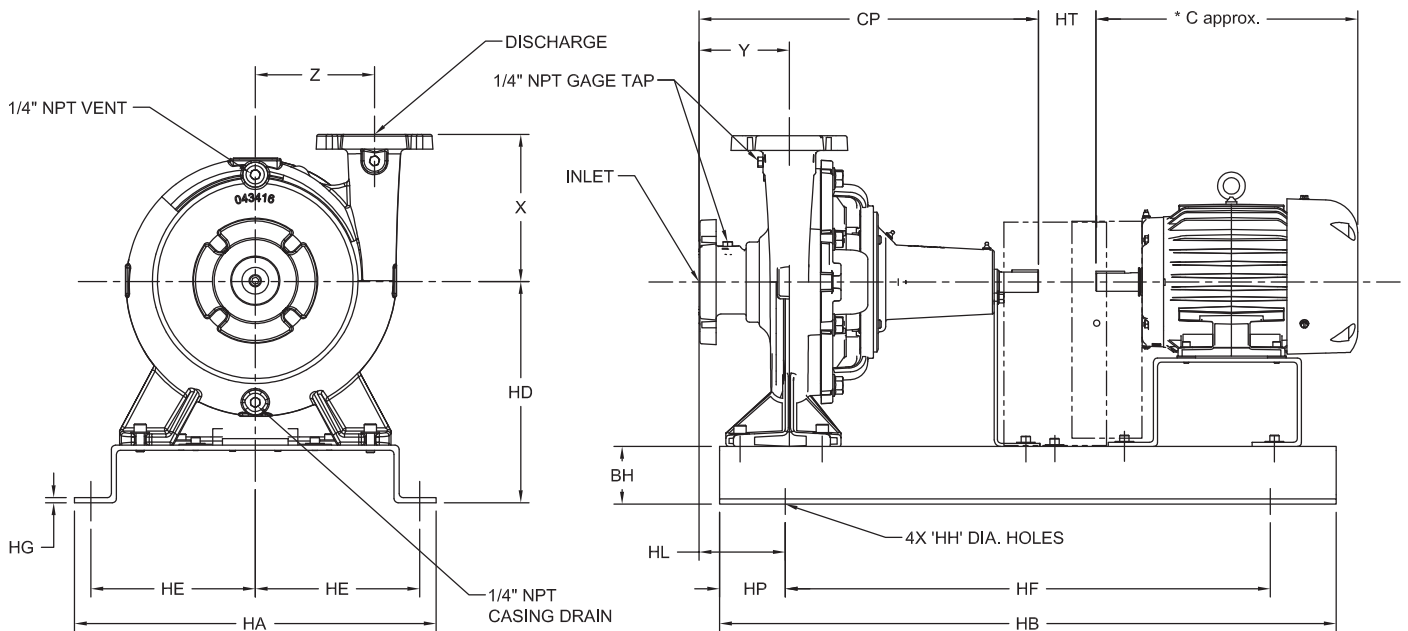
USA: (937) 778-8947 • Canada: (905) 457-6223 • International: (937) 615-3598

### End Suction Back Pull-Out

<b>PUMP NO.</b>	<b>PUMP:</b>	<b>MOTOR:</b>	<b>VOLTS:</b>
<b>FOR:</b>	<b>TDH:</b>	<b>HP:</b>	<b>HZ:</b>
<b>CERT. BY:</b>	<b>GPM:</b>	<b>RPM:</b>	<b>FRAME:</b>
<b>DATE:</b>	<b>FIGURE NO:</b>	<b>PHASE:</b>	<b>ENCLOSURE:</b>

**CONNECTIONS FOR 125# STANDARD FLANGES**

PUMP	DISCH. (INCH)	INLET (INCH)	HL	X	Y	Z	CP
3R	3.00	4.00	5.50	9.50	5.63	8.00	17.17



**NOTES:**

- 1) All Dimension  $\pm .13$
- 2) Dimension \* C will vary based on motor brand

**CONNECTIONS FOR 125# STANDARD FLANGES**

Motor Frame	Base No.	Riser No.	Guard No.	Guard Ext.	* C	HA	HB	HD	HE	HF	HG	HH	HP	HT	BH
182T	135320	134899	135338	135332	15.93	22.00	33.00	13.50	10.00	25.00	0.31	0.31	4.00	3.50	3.50
184T	135320	134899	135338	135332	15.93	22.00	33.00	13.50	10.00	25.00	0.31	0.75	4.00	3.50	3.50
213T	135321	134894	135337	N/A	17.89	22.00	37.00	13.50	10.00	29.00	0.31	0.75	4.00	3.50	3.50
215T	135321	134894	135337	N/A	17.89	22.00	37.00	13.50	10.00	29.00	0.31	0.75	4.00	3.50	3.50
254T	134898-02	134888	135335	135324	23.28	22.00	40.00	13.50	10.00	32.00	0.31	0.75	4.00	3.50	3.50

\* = Quantity 4 Spacer Blocks.

# Types "R"

Models 3R, Small  
Metric (Millimeters)

# WEINMAN®

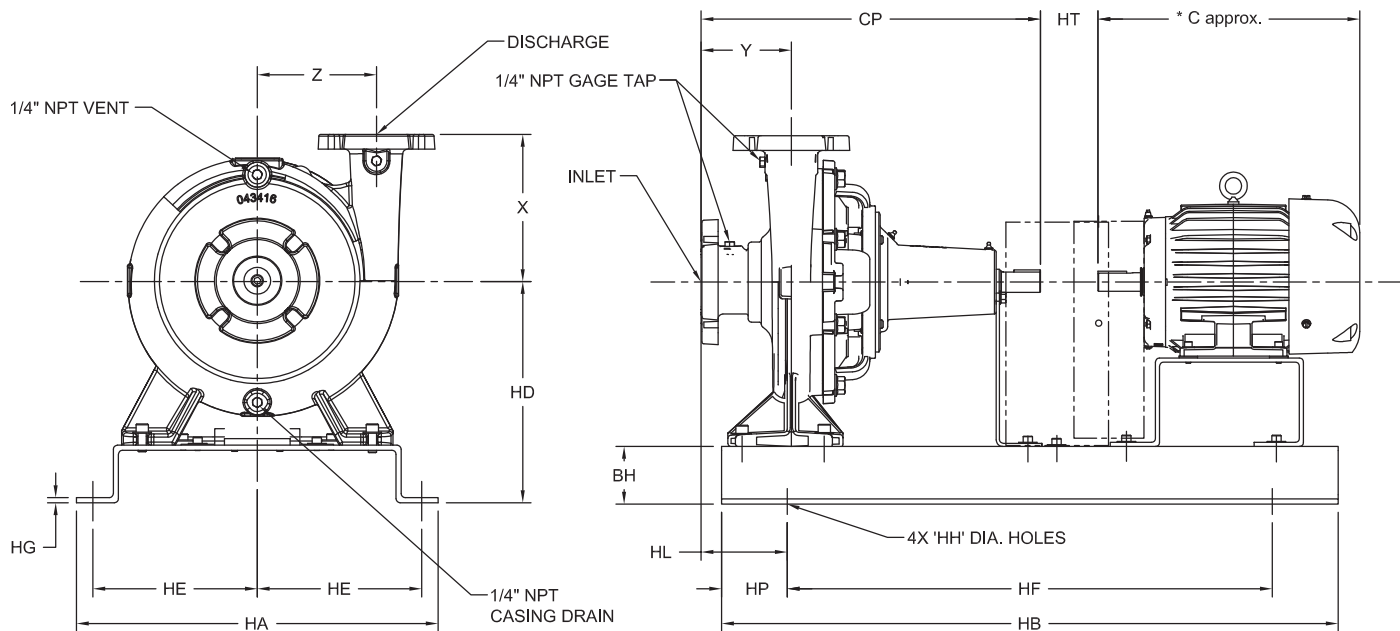
www.cranepumps.com

## End Suction Back Pull-Out

PUMP NO.		PUMP: TDH: GPM:		MOTOR: HP: RPM: PHASE: ENCLOSURE:		VOLTS: HZ: FRAME:	
FOR:		FIGURE NO:					
CERT. BY:		DATE:					

### CONNECTIONS FOR 125# STANDARD FLANGES

PUMP	DISCH. (INCH)	INLET (INCH)	HL	X	Y	Z	CP
3R	3.00	4.00	140	241	143	203	436



- NOTES:  
1) All Dimension  $\pm$  3mm  
2) Dimension \* C will vary based on motor brand

### CONNECTIONS FOR 125# STANDARD FLANGES

Motor Frame	Base No.	Riser No.	Guard No.	Guard Ext.	* C	HA	HB	HD	HE	HF	HG	HH	HP	HT	BH
182T	135320	134899	135338	135332	405	559	838	343	254	635	8	8	102	89	89
184T	135320	134899	135338	135332	405	559	838	343	254	635	8	19	102	89	89
213T	135321	134894	135337	N/A	454	559	940	343	254	737	8	19	102	89	89
215T	135321	134894	135337	N/A	454	559	940	343	254	737	8	19	102	89	89
254T	134898-02	134888	135335	135324	591	559	1016	343	254	813	8	19	102	89	89

\* = Quantity 4 Spacer Blocks.

SECTION 575  
PAGE 88  
DATE 11/16

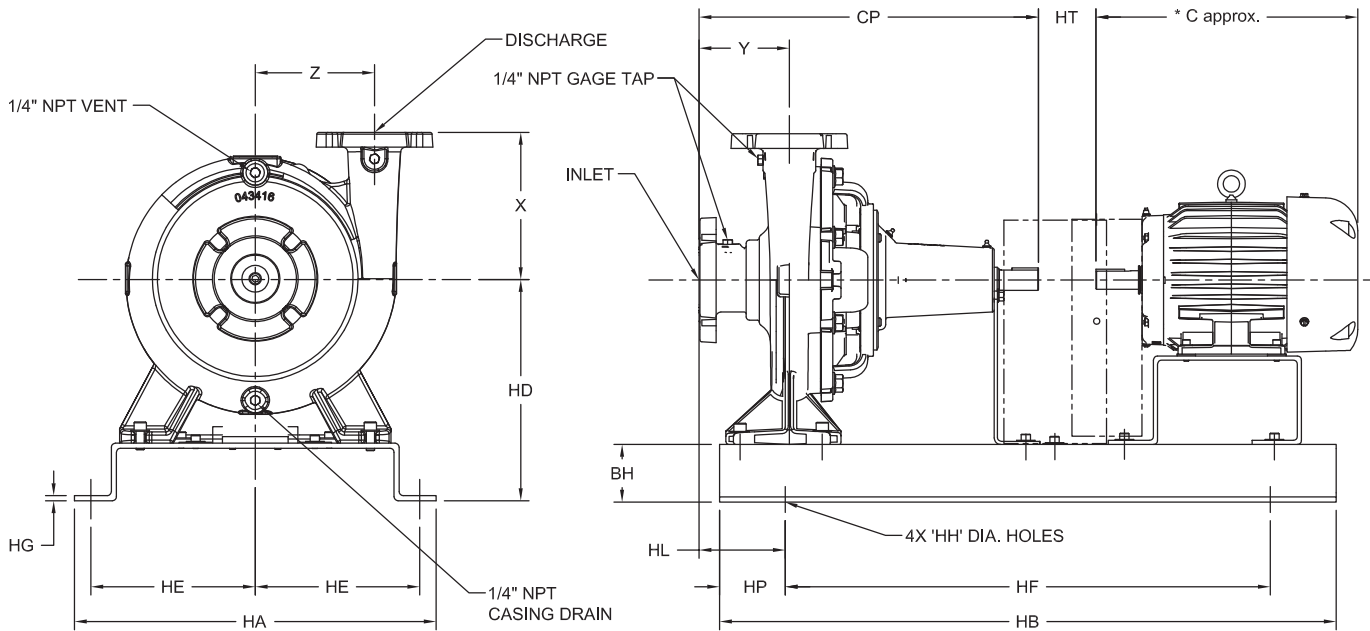
**CRANE**  
A Crane Co. Company

PUMPS & SYSTEMS

USA: (937) 778-8947 • Canada: (905) 457-6223 • International: (937) 615-3598

### End Suction Back Pull-Out

<b>PUMP NO.</b>				<b>PUMP:</b>		<b>MOTOR:</b>		<b>VOLTS:</b>	
<b>FOR:</b>				<b>TDH:</b>		<b>HP:</b>		<b>HZ:</b>	
<b>CERT. BY:</b>				<b>GPM:</b>		<b>RPM:</b>		<b>FRAME:</b>	
<b>DATE:</b>				<b>FIGURE NO:</b>		<b>PHASE:</b>		<b>ENCLOSURE:</b>	
CONNECTIONS FOR 125# STANDARD FLANGES									
PUMP	DISCH. (INCH)	INLET (INCH)	HL	X	Y	Z	CP		
2.5R	2.50	3.00	5.25	9.00	5.50	7.25	20.65		
3R	3.00	4.00	5.50	9.50	5.63	8.00	20.96		
4R	4.00	5.00	6.00	10.00	6.00	8.56	20.83		



- NOTES:  
 1) All Dimension  $\pm .13$   
 2) Dimension \* C will vary based on motor brand

CONNECTIONS FOR 125# STANDARD FLANGES																	
Motor Frame	Base No.	Riser No.	Guard No.	Guard Ext.	* C	HA	HB	HD 2.5R/3R	HD 4R	HE	HF	HG	HH	HP	HT	BH	
184T	2.5R/3R	134898-01	134899	135338	135332	15.93	22.00	40.00	13.50	14.50	10.00	32.00	0.31	0.75	4.00	3.50	3.50
213T	2.5R/3R	134898	134894	135337	N/A	17.89	22.00	40.00	13.50	14.50	10.00	32.00	0.31	0.75	4.00	3.50	3.50
215T	2.5R/3R	134898	134894	135337	N/A	17.89	22.00	40.00	13.50	14.50	10.00	32.00	0.31	0.75	4.00	3.50	3.50
254T	2.5R/3R	134893-02	134888	135335	135324	23.28	22.00	45.00	13.50	14.50	10.00	37.00	0.31	0.75	4.00	3.50	3.50
254T	4R	134893-01	134892	135335	135324	23.28	22.00	45.00	13.50	14.50	10.00	37.00	0.31	0.75	4.00	3.50	3.50
256T	2.5R/3R	134893-02	134888	135335	135324	23.28	22.00	45.00	13.50	14.50	10.00	37.00	0.31	0.75	4.00	3.50	3.50
256T	4R	134893-01	134892	135335	135324	23.28	22.00	45.00	13.50	14.50	10.00	37.00	0.31	0.75	4.00	3.50	3.50
284T	2.5R/3R	134896	134890	135335	135324	27.76	22.00	49.50	13.50	14.50	10.00	41.50	0.31	0.75	4.00	3.50	3.50
284T	4R	134896	134891	135335	135324	27.76	22.00	49.50	13.50	14.50	10.00	41.50	0.31	0.75	4.00	3.50	3.50
286T	4R	134896	134891	135335	135324	27.76	22.00	49.50	13.50	14.50	10.00	41.50	0.31	0.75	4.00	3.50	3.50
324T	4R	134896	134889	135335	135324	30.28	22.00	49.50	13.50	14.50	10.00	41.50	0.31	0.75	4.00	3.50	3.50
326T	4R	134896	134889	135339	135333	30.28	22.00	49.50	13.50	14.50	10.00	41.50	0.31	0.75	4.00	3.50	3.50

\* = Quantity 4 Spacer Blocks.

# Types "R"

Models 2.5R, 3R, 4R, Medium  
Metric (Millimeters)

# WEINMAN®

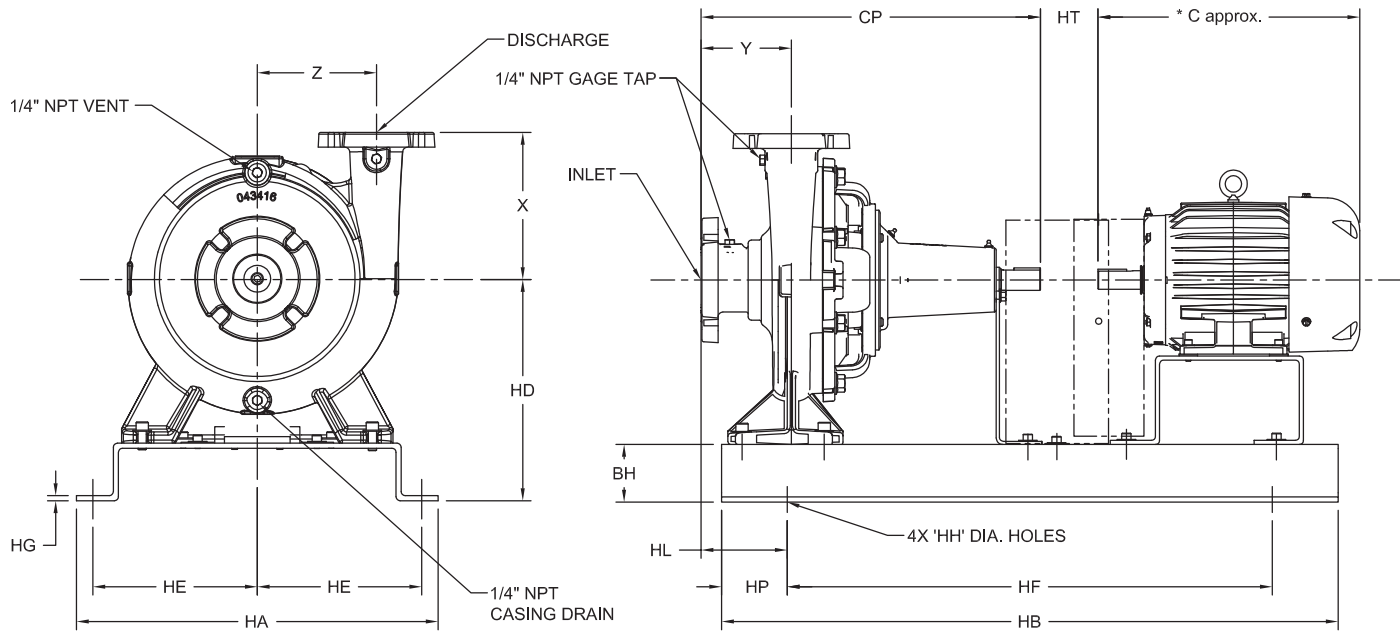
www.cranepumps.com

## End Suction Back Pull-Out

<b>PUMP NO.</b>	<b>PUMP:</b>	<b>MOTOR:</b>	<b>VOLTS:</b>
<b>FOR:</b>	<b>TDH:</b>	<b>HP:</b>	<b>HZ:</b>
<b>CERT. BY:</b>	<b>GPM:</b>	<b>RPM:</b>	<b>FRAME:</b>
<b>DATE:</b>	<b>FIGURE NO:</b>	<b>PHASE:</b>	
		<b>ENCLOSURE:</b>	

### CONNECTIONS FOR 125# STANDARD FLANGES

PUMP	DISCH. (INCH)	INLET (INCH)	HL	X	Y	Z	CP
2.5R	2.50	3.00	133	229	140	184	525
3R	3.00	4.00	140	241	143	203	532
4R	4.00	5.00	152	254	152	217	529



- NOTES:  
 1) All Dimension  $\pm$  3mm  
 2) Dimension \* C will vary based on motor brand

### CONNECTIONS FOR 125# STANDARD FLANGES

Motor Frame	Base No.	Riser No.	Guard No.	Guard Ext.	* C	HA	HB	HD 2.5R/3R	HD 4R	HE	HF	HG	HH	HP	HT	BH
184T	2.5R/3R	134898-01	134899	135338	135332	405	559	1016	342	368	254	813	8	19	102	89
213T	2.5R/3R	134898	134894	135337	N/A	454	559	1016	342	368	254	813	8	19	102	89
215T	2.5R/3R	134898	134894	135337	N/A	454	559	1016	342	368	254	813	8	19	102	89
254T	2.5R/3R	134893-02	134888	135335	135324	591	559	1143	342	368	254	940	8	19	102	89
254T	4R	134893-01	134892	135335	135324											
256T	2.5R/3R	134893-02	134888	135335	135324	591	559	1143	342	368	254	940	8	19	102	89
256T	4R	134893-01	134892	135335	135324											
284T	2.5R/3R	134896	134890	135335	135324	705	559	1257	342	368	254	1054	8	19	102	89
284T	4R	134896	134891	135335	135324											
286T	4R	134896	134891	135335	135324	705	559	1257	342	368	254	1054	8	19	102	89
324T	4R	134896	134889	135335	135324	769	559	1257	342	368	254	1054	8	19	102	89
326T	4R	134896	134889	135339	135333	769	559	1257	342	368	254	1054	8	19	102	89

\* = Quantity 4 Spacer Blocks.

SECTION 575  
PAGE 90  
DATE 11/16

**CRANE**  
A Crane Co. Company

PUMPS & SYSTEMS

USA: (937) 778-8947 • Canada: (905) 457-6223 • International: (937) 615-3598

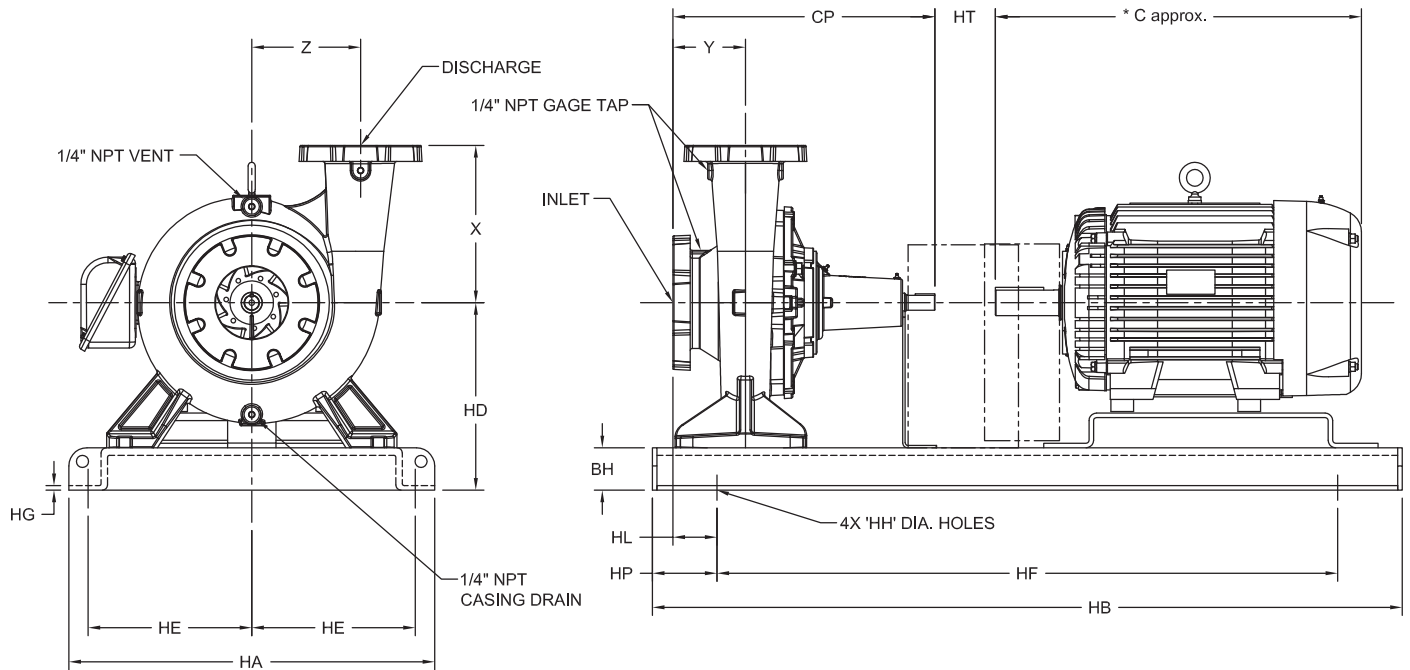


### End Suction Back Pull-Out

<b>PUMP NO.</b>	<b>PUMP:</b>	<b>MOTOR:</b>	<b>VOLTS:</b>
<b>FOR:</b>	<b>TDH:</b>	<b>HP:</b>	<b>HZ:</b>
<b>CERT. BY:</b>	<b>GPM:</b>	<b>RPM:</b>	<b>FRAME:</b>
<b>DATE:</b>	<b>FIGURE NO:</b>	<b>PHASE:</b>	<b>ENCLOSURE:</b>

**CONNECTIONS FOR 125# STANDARD FLANGES**

PUMP	DISCH. (INCH)	INLET (INCH)	HL	X	Y	Z	CP
5R	5.0	6.0	2.69	13.00	6.00	9.00	21.67



**NOTES:**

- 1) All Dimension  $\pm .13$
- 2) Dimension \* C will vary based on motor brand

**CONNECTIONS FOR 125# STANDARD FLANGES**

Motor Frame	Base No.	Riser No.	Guard No.	Guard Ext.	* C	HA	HB	HD	HE	HF	HG	HH	HP	HT	BH
215T	136842	136904	136326	N/A	17.89	30.25	62.00	15.50	14.13	53.25	0.38	0.75	4.38	5.00	3.50
254T	136842	136321	136326	136330	23.29	30.25	62.00	15.50	14.13	53.25	0.38	0.75	4.38	5.00	3.50
256T	136842	136321	136326	136330	23.29	30.25	62.00	15.50	14.13	53.25	0.38	0.75	4.38	5.00	3.50
284T	136842	136321	136326	136330	27.76	30.25	62.00	15.50	14.13	53.25	0.38	0.75	4.38	5.00	3.50
286T	136842	136321	136326	136330	27.76	30.25	62.00	15.50	14.13	53.25	0.38	0.75	4.38	5.00	3.50
324T	136842	136322	136326	136330	28.78	30.25	62.00	15.50	14.13	53.25	0.38	0.75	4.38	5.00	3.50
326T	136842	136322	136326	136330	28.78	30.25	62.00	15.50	14.13	53.25	0.38	0.75	4.38	5.00	3.50
364T	136842	136322	136326	136330	31.36	30.25	62.00	15.50	14.13	53.25	0.38	0.75	4.38	5.00	3.50
365T	136842	136322	136326	136330	33.48	30.25	62.00	15.50	14.13	53.25	0.38	0.75	4.38	5.00	3.50

\* = Quantity 4 Spacer Blocks.

# Type "R"

Models 5R, Medium  
Metric (Millimeters)

# WEINMAN®

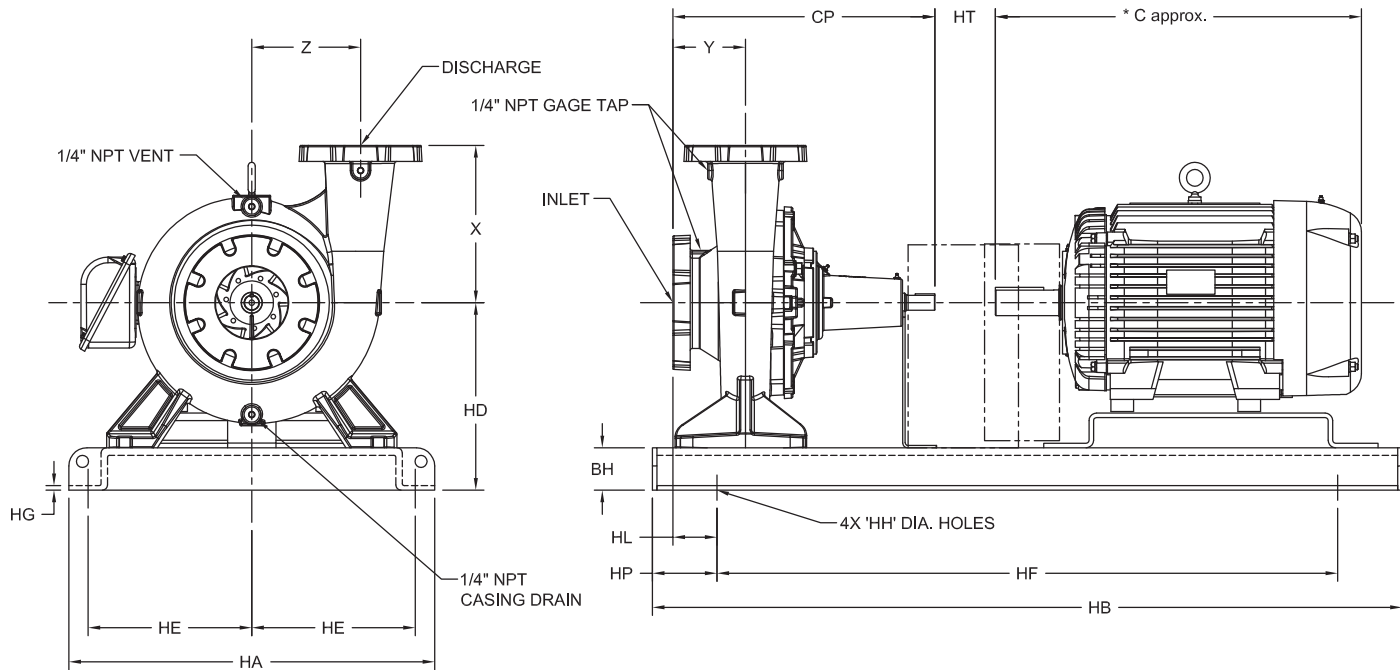
www.cranepumps.com

## End Suction Back Pull-Out

<b>PUMP NO.</b>	<b>PUMP:</b>	<b>MOTOR:</b>	<b>VOLTS:</b>
<b>FOR:</b>	<b>TDH:</b>	<b>HP:</b>	<b>HZ:</b>
<b>CERT. BY:</b>	<b>GPM:</b>	<b>RPM:</b>	<b>FRAME:</b>
<b>DATE:</b>	<b>FIGURE NO:</b>	<b>PHASE:</b>	
		<b>ENCLOSURE:</b>	

### CONNECTIONS FOR 125# STANDARD FLANGES

PUMP	DISCH. (INCH)	INLET (INCH)	HL	X	Y	Z	CP
5R	5.0	6.0	68	330	152	229	550



- NOTES:  
 1) All Dimension  $\pm$  3mm  
 2) Dimension \* C will vary based on motor brand

### CONNECTIONS FOR 125# STANDARD FLANGES

Motor Frame	Base No.	Riser No.	Guard No.	Guard Ext.	* C	HA	HB	HD	HE	HF	HG	HH	HP	HT	BH
215T	136842	136904	136326	N/A	454	768	1575	394	359	1353	10	19	111	127	89
254T	136842	136321	136326	136330	592	768	1575	394	359	1353	10	19	111	127	89
256T	136842	136321	136326	136330	592	768	1575	394	359	1353	10	19	111	127	89
284T	136842	136321	136326	136330	705	768	1575	394	359	1353	10	19	111	127	89
286T	136842	136321	136326	136330	705	768	1575	394	359	1353	10	19	111	127	89
324T	136842	136322	136326	136330	731	768	1575	394	359	1353	10	19	111	127	89
326T	136842	136322	136326	136330	731	768	1575	394	359	1353	10	19	111	127	89
364T	136842	136322	136326	136330	797	768	1575	394	359	1353	10	19	111	127	89
365T	136842	136322	136326	136330	850	768	1575	394	359	1353	10	19	111	127	89

\* = Quantity 4 Spacer Blocks.

SECTION 575  
PAGE 92  
DATE 3/16

**CRANE**  
A Crane Co. Company

PUMPS & SYSTEMS

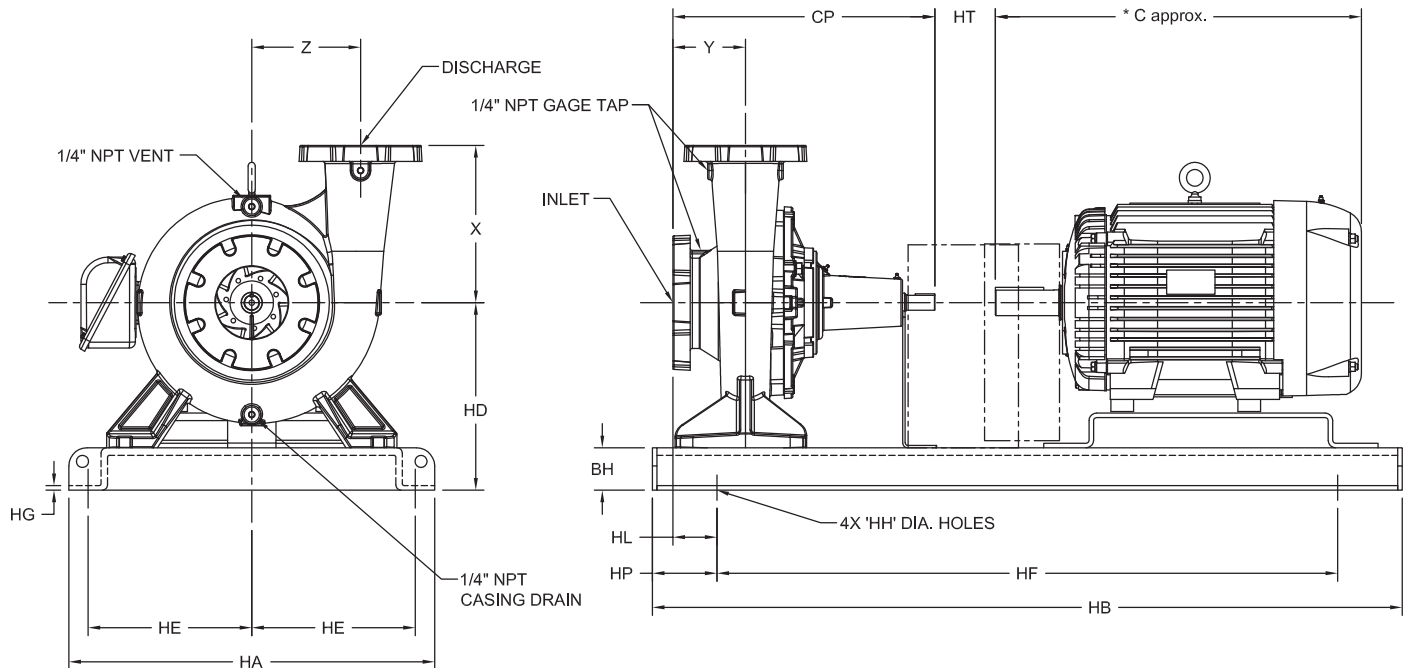
USA: (937) 778-8947 • Canada: (905) 457-6223 • International: (937) 615-3598

### End Suction Back Pull-Out

<b>PUMP NO.</b>	<b>PUMP:</b>	<b>MOTOR:</b>	<b>VOLTS:</b>
<b>FOR:</b>	<b>TDH:</b>	<b>HP:</b>	<b>HZ:</b>
<b>CERT. BY:</b>	<b>GPM:</b>	<b>RPM:</b>	<b>FRAME:</b>
<b>DATE:</b>	<b>FIGURE NO:</b>	<b>PHASE:</b>	<b>ENCLOSURE:</b>

#### CONNECTIONS FOR 125# STANDARD FLANGES

PUMP	DISCH. (INCH)	INLET (INCH)	HL	X	Y	Z	CP
6R	6.0	8.0	3.50	14.00	6.50	9.31	22.38



**NOTES:**

- 1) All Dimension  $\pm .13$
- 2) Dimension \* C will vary based on motor brand

#### CONNECTIONS FOR 125# STANDARD FLANGES

Motor Frame	Base No.	Riser No.	Guard No.	Guard Ext.	* C	HA	HB	HD	HE	HF	HG	HH	HP	HT	BH
256T	136842	136321	136326	136330	23.29	30.25	62.00	15.50	14.13	53.25	0.38	0.75	4.38	5.00	3.50
284T	136842	136321	136326	136330	27.76	30.25	62.00	15.50	14.13	53.25	0.38	0.75	4.38	5.00	3.50
286T	136842	136321	136326	136330	27.76	30.25	62.00	15.50	14.13	53.25	0.38	0.75	4.38	5.00	3.50
324T	136842	136322	136326	1336330	28.78	30.25	62.00	15.50	14.13	53.25	0.38	0.75	4.38	5.00	3.50
326T	136842	136322	136326	1336330	28.78	30.25	62.00	15.50	14.13	53.25	0.38	0.75	4.38	5.00	3.50
364T	136842	136322	136326	136330	31.36	30.25	62.00	15.50	14.13	53.25	0.38	0.75	4.38	5.00	3.50

\* = Quantity 4 Spacer Blocks.

# Type "R"

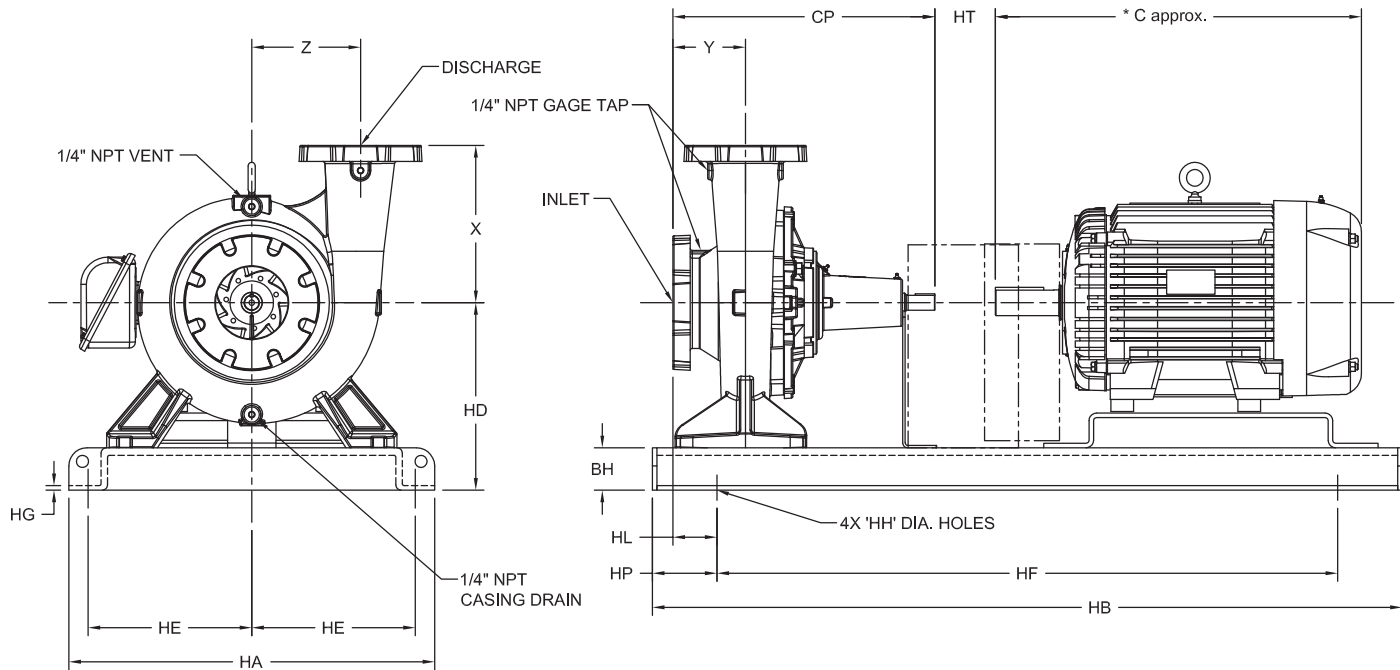
Models 6R, Medium  
Metric (Millimeters)

# WEINMAN®

www.cranepumps.com

## End Suction Back Pull-Out

PUMP NO.		PUMP: TDH: GPM:		MOTOR: HP: RPM: PHASE: ENCLOSURE:		VOLTS: HZ: FRAME:	
FOR:		DATE:		FIGURE NO:			
CERT. BY:							
CONNECTIONS FOR 125# STANDARD FLANGES							
PUMP	DISCH. (INCH)	INLET (INCH)	HL	X	Y	Z	CP
6R	6.0	8.0	89	356	165	236	568



- NOTES:  
1) All Dimension  $\pm$  3mm  
2) Dimension \* C will vary based on motor brand

### CONNECTIONS FOR 125# STANDARD FLANGES

Motor Frame	Base No.	Riser No.	Guard No.	Guard Ext.	* C	HA	HB	HD	HE	HF	HG	HH	HP	HT	BH
256T	136842	136321	136326	136330	592	768	1575	394	359	1353	10	19	111	127	89
284T	136842	136321	136326	136330	705	768	1575	394	359	1353	10	19	111	127	89
286T	136842	136321	136326	136330	705	768	1575	394	359	1353	10	19	111	127	89
324T	136842	136322	136326	1336330	731	768	1575	394	359	1353	10	19	111	127	89
326T	136842	136322	136326	1336330	731	768	1575	394	359	1353	10	19	111	127	89
364T	136842	136322	136326	136330	797	768	1575	394	359	1353	10	19	111	127	89

\* = Quantity 4 Spacer Blocks.

SECTION 575  
PAGE 94  
DATE 3/16

**CRANE**  
A Crane Co. Company

PUMPS & SYSTEMS

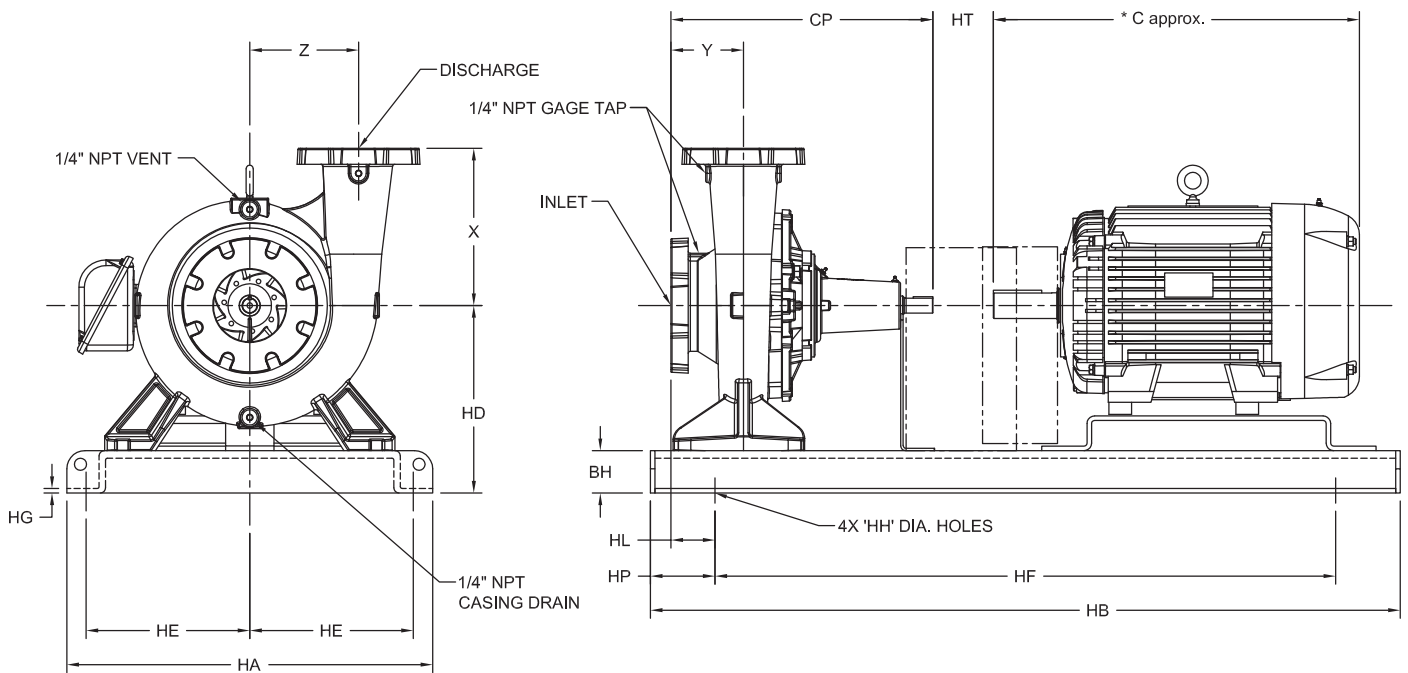
USA: (937) 778-8947 • Canada: (905) 457-6223 • International: (937) 615-3598

### End Suction Back Pull-Out

<b>PUMP NO.</b>	<b>PUMP:</b>	<b>MOTOR:</b>	<b>VOLTS:</b>
<b>FOR:</b>	<b>TDH:</b>	<b>HP:</b>	<b>HZ:</b>
<b>CERT. BY:</b>	<b>GPM:</b>	<b>RPM:</b>	<b>FRAME:</b>
<b>DATE:</b>	<b>FIGURE NO:</b>	<b>PHASE:</b>	<b>ENCLOSURE:</b>

**CONNECTIONS FOR 125# STANDARD FLANGES**

PUMP	DISCH. (INCH)	INLET (INCH)	HL	X	Y	Z	CP
6R	6.0	8.0	3.50	14.00	6.50	9.31	23.84



- NOTES:  
 1) All Dimension  $\pm .13$   
 2) Dimension \* C will vary based on motor brand

**CONNECTIONS FOR 125# STANDARD FLANGES**

Motor Frame	Base No.	Riser No.	Guard No.	Guard Ext.	* C	HA	HB	HD	HE	HF	HG	HH	HP	HT	BH
324T	136842	136322	136326	136330	28.78	30.25	62.00	15.50	14.13	53.25	0.38	0.75	4.38	5.00	3.50
326T	136842	136322	136326	136330	28.78	30.25	62.00	15.50	14.13	53.25	0.38	0.75	4.38	5.00	3.50
364T	136842	136322	136326	136330	31.36	30.25	62.00	15.50	14.13	53.25	0.38	0.75	4.38	5.00	3.50
365T	136842	136322	136326	136330	33.48	30.25	62.00	15.50	14.13	53.25	0.38	0.75	4.38	5.00	3.50
405T	136842	136325	136326	136330	38.32	30.25	62.00	15.50	14.13	53.25	0.38	0.75	4.38	5.00	3.50
444T	136841	N/A	136327	136331	44.75	30.25	77.75	15.50	14.13	69.00	0.38	0.75	4.38	7.75	3.50

\* = Quantity 4 Spacer Blocks.

# Type "R"

Models 6R, Large  
Metric (Millimeters)

# WEINMAN®

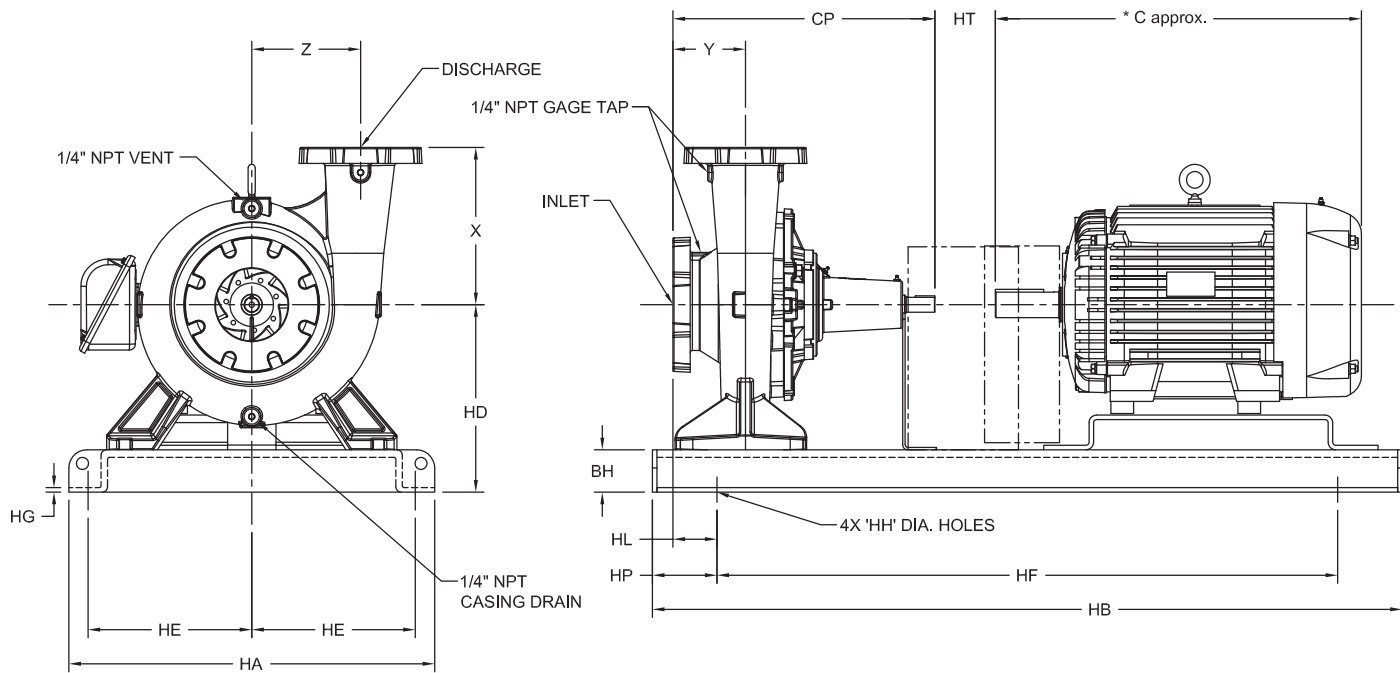
www.cranepumps.com

## End Suction Back Pull-Out

PUMP NO.		PUMP: TDH: GPM:		MOTOR: HP: RPM: PHASE: ENCLOSURE:		VOLTS: HZ: FRAME:	
FOR:		DATE:		FIGURE NO:			
CERT. BY:							

### CONNECTIONS FOR 125# STANDARD FLANGES

PUMP	DISCH. (INCH)	INLET (INCH)	HL	X	Y	Z	CP
6R	6.0	8.0	89	356	165	236	606



- NOTES:  
 1) All Dimension  $\pm$  3mm  
 2) Dimension \* C will vary based on motor brand

### CONNECTIONS FOR 125# STANDARD FLANGES

Motor Frame	Base No.	Riser No.	Guard No.	Guard Ext.	* C	HA	HB	HD	HE	HF	HG	HH	HP	HT	BH
324T	136842	136322	136326	136330	731	768	1575	394	359	1353	10	19	111	127	89
326T	136842	136322	136326	136330	731	768	1575	394	359	1353	10	19	111	127	89
364T	136842	136322	136326	136330	797	768	1575	394	359	1353	10	19	111	127	89
365T	136842	136322	136326	136330	850	768	1575	394	359	1353	10	19	111	127	89
405T	136842	136325	136326	136330	973	768	1575	394	359	1353	10	19	111	127	89
444T	136841	N/A	136327	136331	1137	768	1975	394	359	1753	10	19	111	197	89

\* = Quantity 4 Spacer Blocks.

SECTION 575  
PAGE 96  
DATE 3/16

**CRANE**  
A Crane Co. Company

PUMPS & SYSTEMS

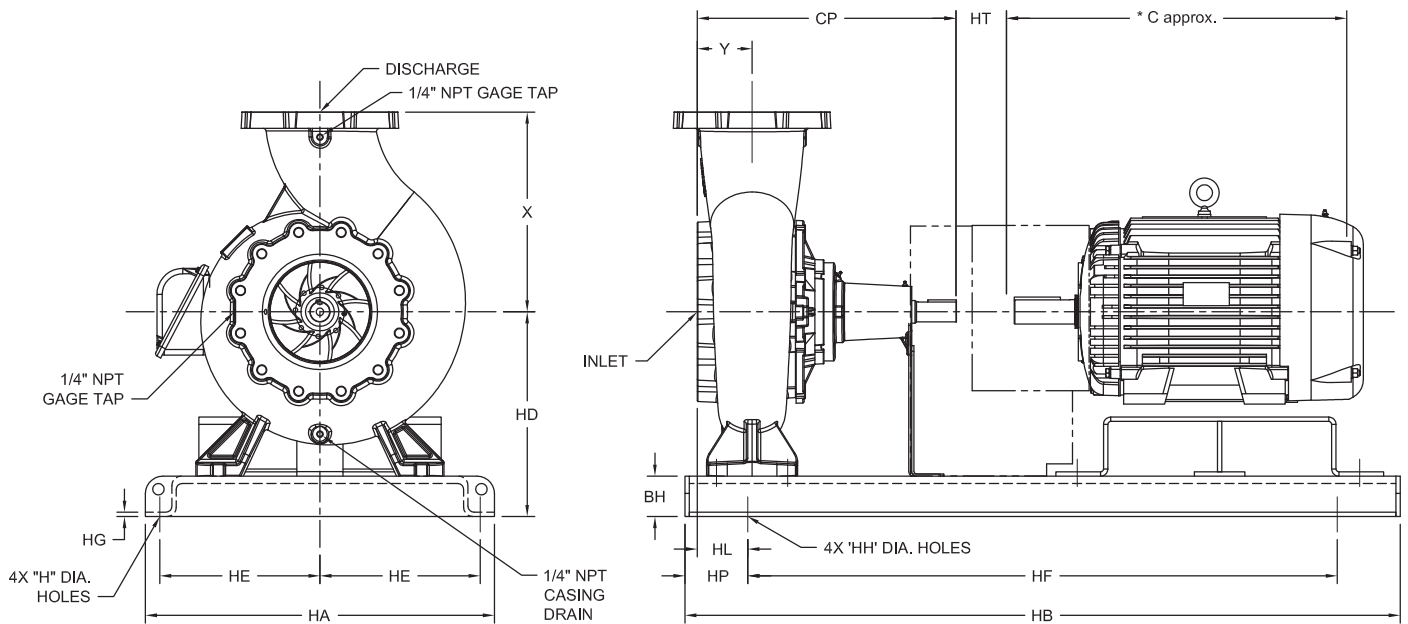
USA: (937) 778-8947 • Canada: (905) 457-6223 • International: (937) 615-3598

### End Suction Back Pull-Out

<b>PUMP NO.</b>	<b>PUMP:</b>	<b>MOTOR:</b>	<b>VOLTS:</b>
<b>FOR:</b>	<b>TDH:</b>	<b>HP:</b>	<b>HZ:</b>
<b>CERT. BY:</b>	<b>GPM:</b>	<b>RPM:</b>	<b>FRAME:</b>
<b>DATE:</b>	<b>FIGURE NO:</b>	<b>PHASE:</b>	<b>ENCLOSURE:</b>

**CONNECTIONS FOR 125# STANDARD FLANGES**

PUMP	DISCH. (INCH)	INLET (INCH)	HL	X	Y	Z	CP
8R	8.0	10.0	3.30	17.32	4.75	N/A	21.01



- NOTES:
- 1) All Dimension  $\pm .13$
  - 2) Dimension \* C will vary based on motor brand
  - 3) Suction drilled and tapped for 125# standard flanges

**CONNECTIONS FOR 125# STANDARD FLANGES**

Motor Frame	Base No.	Riser No.	Guard No.	Guard Ext.	* C	HA	HB	HD	HE	HF	HG	HH	HP	HT	BH
284T	136842	136904	136328	136330	27.76	30.25	62.00	15.50	14.13	53.25	0.38	0.75	4.38	5.00	3.50
286T	136842	136904	136328	136330	27.76	30.25	62.00	15.50	14.13	53.25	0.38	0.75	4.38	5.00	3.50
324T	136842	136323	136328	136330	28.78	30.25	62.00	15.50	14.13	53.25	0.38	0.75	4.38	5.00	3.50
326T	136842	136323	136328	136330	28.78	30.25	62.00	15.50	14.13	53.25	0.38	0.75	4.38	5.00	3.50
364T	136842	136323	136328	136330	31.36	30.25	62.00	15.50	14.13	53.25	0.38	0.75	4.38	5.00	3.50
365T	136842	136323	136328	136330	33.48	30.25	62.00	15.50	14.13	53.25	0.38	0.75	4.38	5.00	3.50

\* = Quantity 4 Spacer Blocks.

# Type "R"

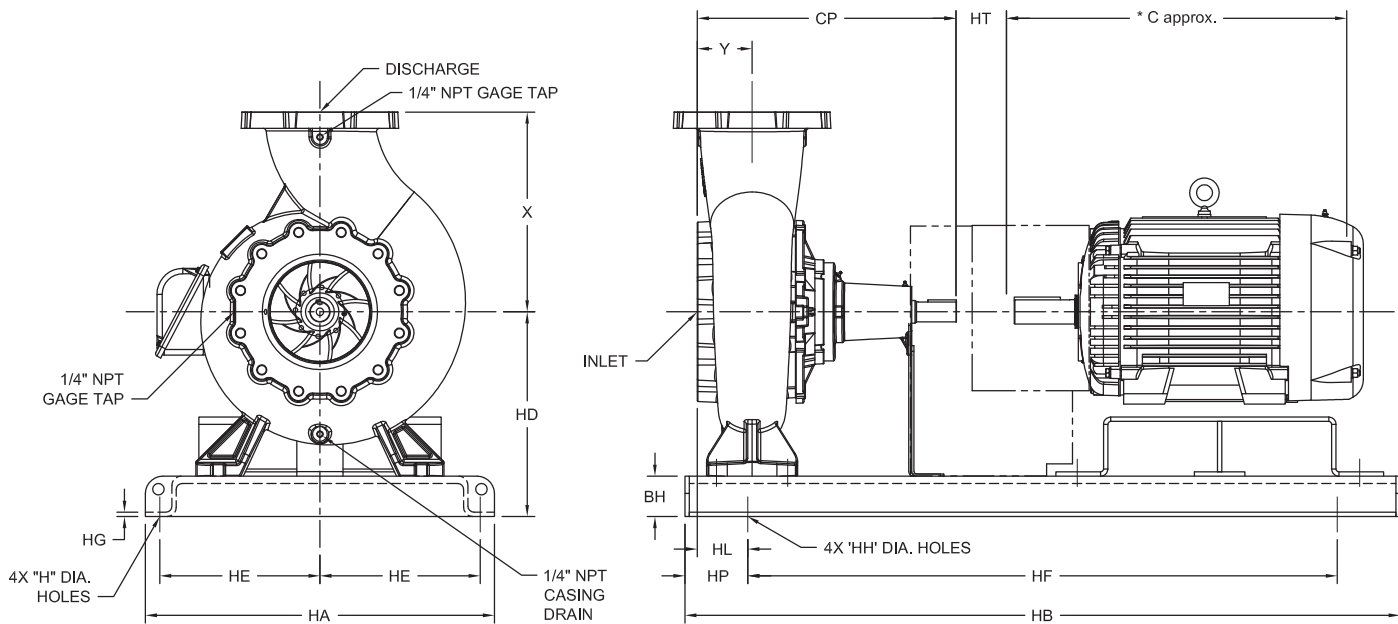
Models 8R, Medium  
Metric (Millimeters)

# WEINMAN®

www.cranepumps.com

## End Suction Back Pull-Out

PUMP NO.			PUMP: TDH: GPM:			MOTOR: HP: RPM: PHASE: ENCLOSURE:			VOLTS: HZ: FRAME:		
FOR:			FIGURE NO:								
CERT. BY:			DATE:								
CONNECTIONS FOR 125# STANDARD FLANGES											
PUMP	DISCH. (INCH)	INLET (INCH)	HL	X	Y	Z	CP				
8R	8.0	10.0	84	440	121	N/A	534				



- NOTES:
- 1) All Dimension  $\pm$  3mm
  - 2) Dimension \* C will vary based on motor brand
  - 3) Suction drilled and tapped for 125# standard flanges

### CONNECTIONS FOR 125# STANDARD FLANGES

Motor Frame	Base No.	Riser No.	Guard No.	Guard Ext.	* C	HA	HB	HD	HE	HF	HG	HH	HP	HT	BH
284T	136842	136904	136328	136330	705	768	1575	394	359	1353	10	19	111	127	89
286T	136842	136904	136328	136330	705	768	1575	394	359	1353	10	19	111	127	89
324T	136842	136323	136328	136330	731	768	1575	394	359	1353	10	19	111	127	89
326T	136842	136323	136328	136330	731	768	1575	394	359	1353	10	19	111	127	89
364T	136842	136323	136328	136330	797	768	1575	394	359	1353	10	19	111	127	89
365T	136842	136323	136328	136330	850	768	1575	394	359	1353	10	19	111	127	89

\* = Quantity 4 Spacer Blocks.

SECTION 575  
PAGE 98  
DATE 3/16

**CRANE**  
A Crane Co. Company

PUMPS & SYSTEMS

USA: (937) 778-8947 • Canada: (905) 457-6223 • International: (937) 615-3598

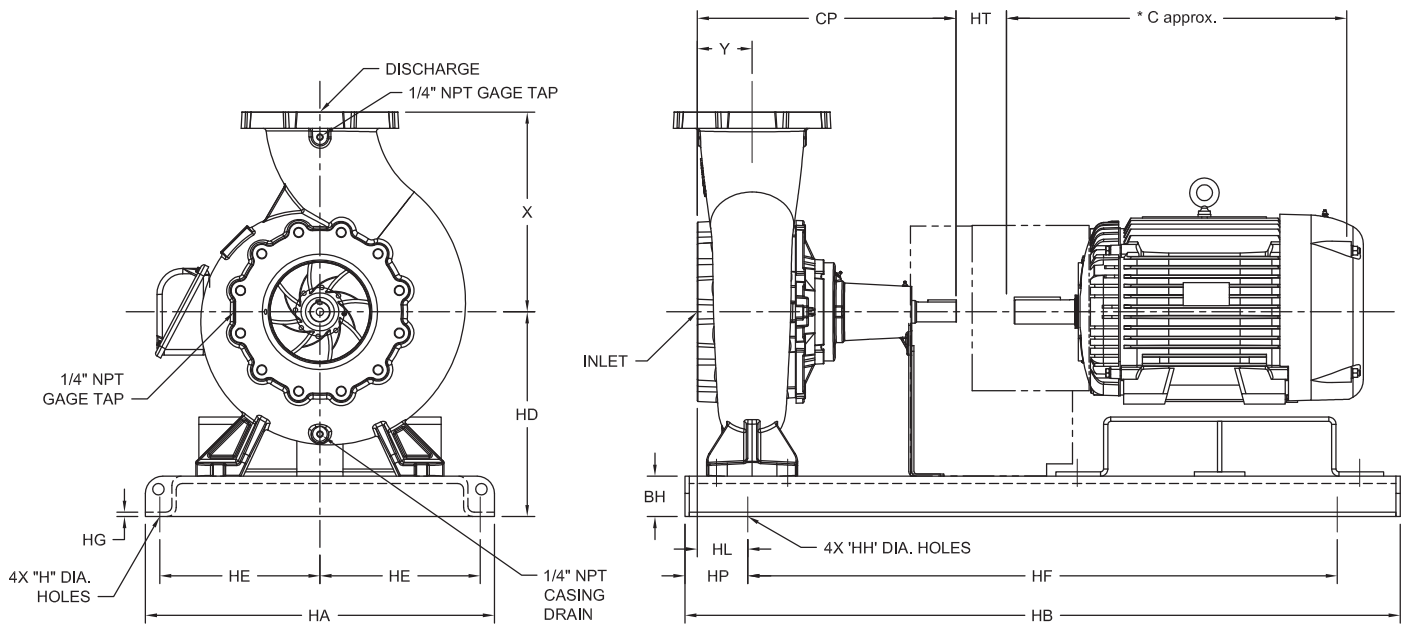


### End Suction Back Pull-Out

<b>PUMP NO.</b>	<b>PUMP:</b>	<b>MOTOR:</b>	<b>VOLTS:</b>
<b>FOR:</b>	<b>TDH:</b>	<b>HP:</b>	<b>HZ:</b>
<b>CERT. BY:</b>	<b>GPM:</b>	<b>RPM:</b>	<b>FRAME:</b>
<b>DATE:</b>	<b>FIGURE NO:</b>	<b>PHASE:</b>	<b>ENCLOSURE:</b>

**CONNECTIONS FOR 125# STANDARD FLANGES**

PUMP	DISCH. (INCH)	INLET (INCH)	HL	X	Y	Z	CP
8R	8.0	10.0	3.30	17.32	4.75	N/A	22.46



- NOTES:  
 1) All Dimension  $\pm .13$   
 2) Dimension \* C will vary based on motor brand  
 3) Suction drilled and tapped for 125# standard flanges

**CONNECTIONS FOR 125# STANDARD FLANGES**

Motor Frame	Base No.	Riser No.	Guard No.	Guard Ext.	* C	HA	HB	HD	HE	HF	HG	HH	HP	HT	BH
324T	136842	136323	136328	136330	28.78	30.25	62.00	17.75	14.13	53.25	0.38	0.75	4.38	5.00	3.50
326T	136842	136323	136328	136330	28.78	30.25	62.00	17.75	14.13	53.25	0.38	0.75	4.38	5.00	3.50
364T	136842	136323	136328	136330	31.36	30.25	62.00	17.75	14.13	53.25	0.38	0.75	4.38	5.00	3.50
365T	136842	136323	136328	136330	33.48	30.25	62.00	17.75	14.13	53.25	0.38	0.75	4.38	5.00	3.50
405T	136841	136324	136328	136330	38.32	30.25	77.75	17.75	14.13	69.00	0.38	0.75	4.38	5.00	3.50
444T	136841	136324	136329	136331	44.75	30.25	77.75	17.75	14.13	69.00	0.38	0.75	4.38	7.75	3.50
445T	136841	136324	136329	136331	44.75	30.25	77.75	17.75	14.13	69.00	0.38	0.75	4.38	7.75	3.50
447T	136841	136324	136329	136331	48.24	30.25	77.75	17.75	14.13	69.00	0.38	0.75	4.38	7.75	3.50

\* = Quantity 4 Spacer Blocks.

# Type "R"

Models 8R, Large  
Metric (Millimeters)

# WEINMAN®

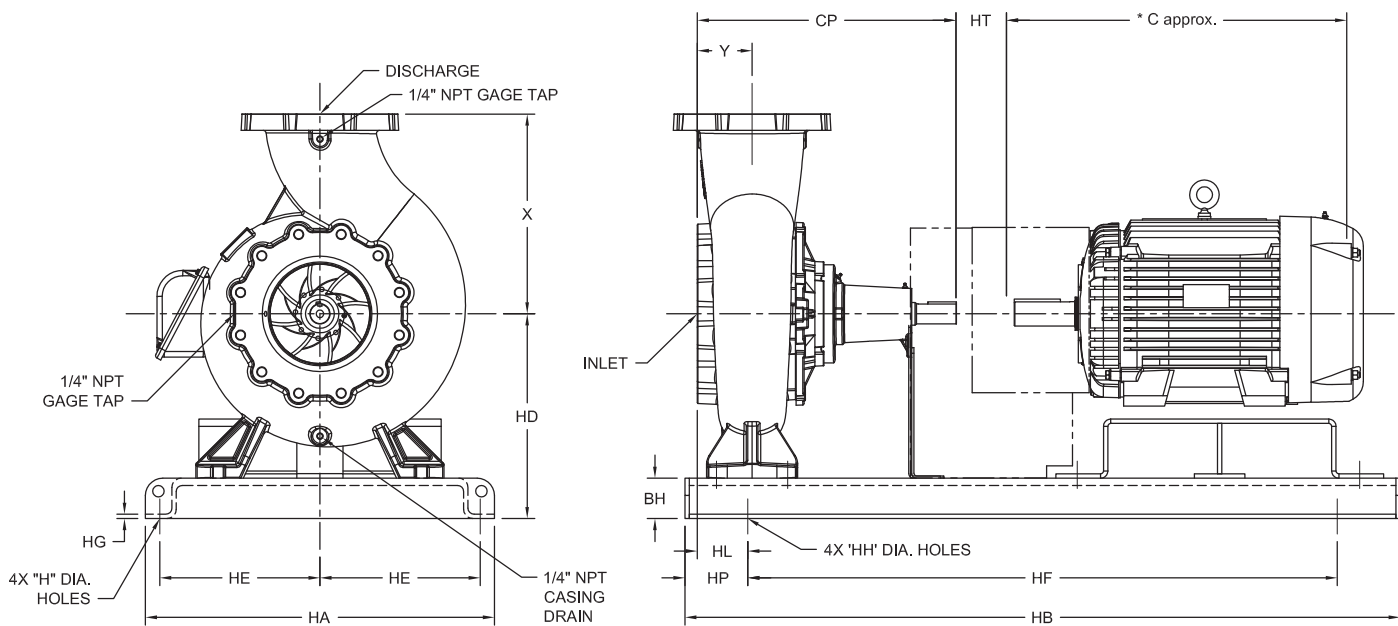
www.cranepumps.com

## End Suction Back Pull-Out

<b>PUMP NO.</b>	<b>PUMP:</b>	<b>MOTOR:</b>	<b>VOLTS:</b>
<b>FOR:</b>	<b>TDH:</b>	<b>HP:</b>	<b>HZ:</b>
<b>CERT. BY:</b>	<b>GPM:</b>	<b>RPM:</b>	<b>FRAME:</b>
<b>DATE:</b>	<b>FIGURE NO:</b>	<b>PHASE:</b>	
		<b>ENCLOSURE:</b>	

### CONNECTIONS FOR 125# STANDARD FLANGES

PUMP	DISCH. (INCH)	INLET (INCH)	HL	X	Y	Z	CP
8R	8.0	10.0	84	440	121	N/A	570



- NOTES:
- 1) All Dimension  $\pm$  3mm
  - 2) Dimension \* C will vary based on motor brand
  - 3) Suction drilled and tapped for 125# standard flanges

### CONNECTIONS FOR 125# STANDARD FLANGES

Motor Frame	Base No.	Riser No.	Guard No.	Guard Ext.	* C	HA	HB	HD	HE	HF	HG	HH	HP	HT	BH
324T	136842	136323	136328	136330	731	768	1575	451	359	1353	10	19	111	127	89
326T	136842	136323	136328	136330	731	768	1575	451	359	1353	10	19	111	127	89
364T	136842	136323	136328	136330	797	768	1575	451	359	1353	10	19	111	127	89
365T	136842	136323	136328	136330	850	768	1575	451	359	1353	10	19	111	127	89
405T	136841	136324	136328	136330	973	768	1975	451	359	1753	10	19	111	127	89
444T	136841	136324	136329	136331	1137	768	1975	451	359	1753	10	19	111	197	89
445T	136841	136324	136329	136331	1137	768	1975	451	359	1753	10	19	111	197	89
447T	136841	136324	136329	136331	1225	768	1975	451	359	1753	10	19	111	197	89

\* = Quantity 4 Spacer Blocks.

SECTION 575  
PAGE 100  
DATE 3/16

**CRANE**  
A Crane Co. Company

PUMPS & SYSTEMS

USA: (937) 778-8947 • Canada: (905) 457-6223 • International: (937) 615-3598