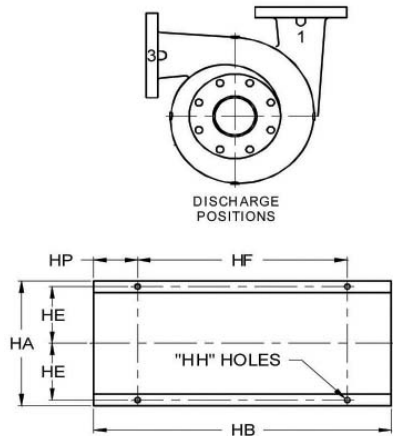
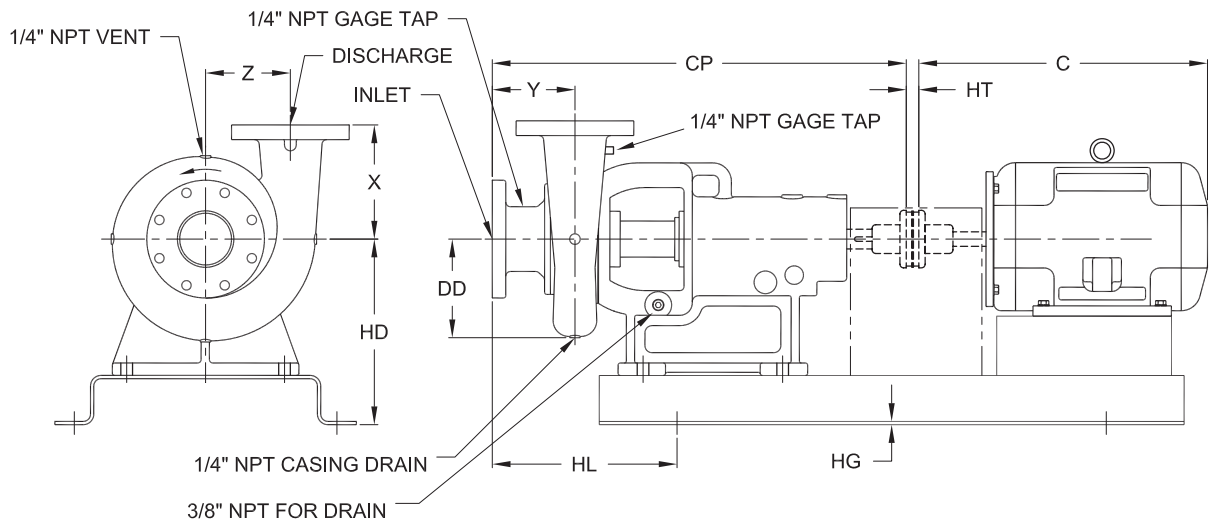


### Frame Mounted End Suction, Flanged Connection

<b>PUMP NO.</b>	<b>PUMP:</b>	<b>MOTOR:</b>	<b>VOLTS:</b>
<b>FOR:</b>	<b>TDH:</b>	<b>HP:</b>	<b>HZ:</b>
<b>CERT. BY:</b>	<b>GPM:</b>	<b>RPM:</b>	<b>FRAME:</b>
<b>DATE:</b>	<b>FIGURE NO:</b>	<b>PHASE:</b>	
		<b>ENCLOSURE:</b>	



CONNECTIONS FOR 125# STANDARD FLANGES								
PUMP	DISCH. (INCH)	INLET (INCH)	HL	X	Y	Z	CP	DD
1.5K-4A	1.5	2	11.00	6.50	3.63	5.70	25.31	7.25
1.5K1-4A	1.5	2	11.00	6.50	3.63	5.70	25.31	7.25
1.5KH-4A	1.5	2	11.31	7.50	4.87	6.70	25.50	8.00
2K-4A	2	3	11.11	6.70	3.81	6.00	25.38	7.50
2.5G-4A	2.5	3	11.13	7.70	4.03	4.50	25.38	6.06
2.5K-4A	2.5	3	11.56	7.00	4.10	6.30	25.75	7.69
2.5KH-4A	2.5	3	11.50	7.70	4.24	7.50	25.75	9.44
2.5KH1-4A	2.5	3	11.50	7.70	4.24	7.50	25.75	9.44
3G-4A	3	4	12.19	7.70	4.63	4.80	26.44	6.69
3K-4A	3	4	11.50	7.20	4.53	6.50	25.19	8.13
3K1-4A	3	4	11.50	7.20	4.53	6.50	25.19	8.13
3KH-4A	3	4	11.88	8.50	4.51	7.70	26.13	9.38
3KH1-4A	3	4	11.88	8.50	4.51	7.70	26.13	9.38



NOTES: 1) All dimensions ± .13 2) Dimension C will vary based on motor brand

#### DIMENSIONS IN INCHES

MOTOR FRAME	BASE NO.	C		HA	HB	HD	HE	HF	HG	HH	HP	HT
		ODP	TEFC									
182T	010036	13.63	16.13	19.00	36.00	13.00	8.50	28.00	.31	.75	4.00	.81
184T	010036	13.63	16.13	19.00	36.00	13.00	8.50	28.00	.31	.75	4.00	.81
213T	010037	15.00	18.63	19.00	36.00	13.00	8.50	28.00	.31	.75	4.00	.56
215T	010037	17.00	20.13	19.00	36.00	13.00	8.50	28.00	.31	.75	4.00	.56
254T	010038	20.31	23.75	20.00	44.00	13.00	9.00	36.00	.31	.75	4.00	.94
256T	010038	22.06	25.50	20.00	44.00	13.00	9.00	36.00	.31	.75	4.00	.94
284T	010039	23.38	26.13	20.00	44.00	13.00	9.00	36.00	.31	.75	4.00	1.00
286T	010039	24.88	27.63	20.00	44.00	13.00	9.00	36.00	.31	.75	4.00	1.00
284TS	010040	22.00	24.75	20.00	44.00	13.00	9.00	36.00	.31	.75	4.00	.94
286TS	010040	23.50	26.25	20.00	44.00	13.00	9.00	36.00	.31	.75	4.00	.94
324T	010041	25.97	29.69	20.00	44.00	13.00	9.00	36.00	.31	.75	4.00	.25
326T	010041	27.44	31.19	20.00	44.00	13.00	9.00	36.00	.31	.75	4.00	.25
324TS	010042	24.44	28.19	20.00	44.00	13.00	9.00	36.00	.31	.75	4.00	1.00
326TS	010042	25.94	29.69	20.00	44.00	13.00	9.00	36.00	.31	.75	4.00	1.00
364TS	010043	29.56	30.00	24.50	48.00	13.00	11.50	40.00	.31	.75	4.00	1.00

# Types "G, K & KH"

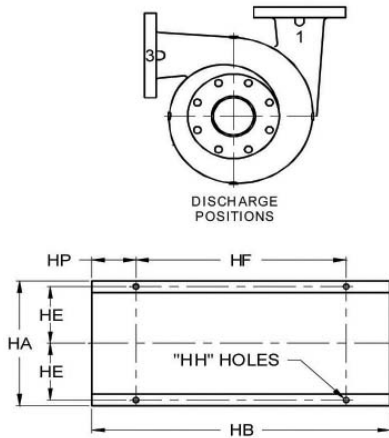
End Suction Frame Pumps No. 4A Bearing Frame  
1.5" - 3" Discharge - Metric (Millimeters)

# WEINMAN®

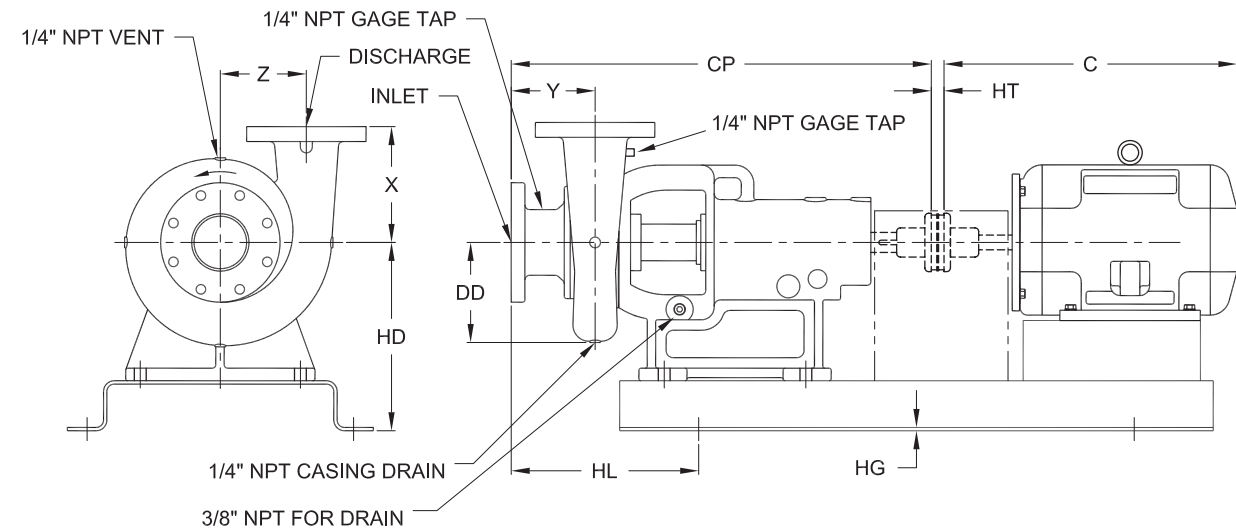
www.cranepumps.com

## Frame Mounted End Suction, Flanged Connection

<b>PUMP NO.</b>	<b>PUMP:</b>	<b>MOTOR:</b>	<b>VOLTS:</b>
<b>FOR:</b>	<b>TDH:</b>	<b>HP:</b>	<b>HZ:</b>
<b>CERT. BY:</b>	<b>GPM:</b>	<b>RPM:</b>	<b>FRAME:</b>
<b>DATE:</b>	<b>FIGURE NO:</b>	<b>PHASE:</b>	
		<b>ENCLOSURE:</b>	



CONNECTIONS FOR 125# STANDARD FLANGES								
PUMP	DISCH. (INCH)	INLET (INCH)	HL	X	Y	Z	CP	DD
1.5K-4A	1.5	2	279	165	92	145	543	184
1.5K1-4A	1.5	2	279	165	92	145	543	184
1.5KH-4A	1.5	2	287	191	124	170	648	203
2K-4A	2	3	282	170	97	152	645	191
2.5G-4A	2.5	3	283	196	102	114	645	154
2.5K-4A	2.5	3	294	178	104	160	654	195
2.5KH-4A	2.5	3	292	196	108	191	654	240
2.5KH1-4A	2.5	3	292	196	108	191	654	240
3G-4A	3	4	310	196	118	122	671	170
3K-4A	3	4	292	183	115	165	640	206
3K1-4A	3	4	292	183	115	165	640	206
3KH-4A	3	4	302	216	115	196	664	238
3KH1-4A	3	4	302	216	115	196	664	238



NOTES: 1) All dimensions  $\pm .13$  2) Dimension C will vary based on motor brand

### DIMENSIONS IN MILLIMETERS

MOTOR FRAME	BASE NO.	C		HA	HB	HD	HE	HF	HG	HH	HP	HT
		ODP	TEFC									
182T	010036	346	410	483	914	330	216	711	8	19	102	21
184T	010036	346	410	483	914	330	216	711	8	19	102	21
213T	010037	381	473	483	914	330	216	711	8	19	102	14
215T	010037	432	511	483	914	330	216	711	8	19	102	14
254T	010038	516	603	508	1118	330	229	914	8	19	102	24
256T	010038	560	648	508	1118	330	229	914	8	19	102	24
284T	010039	594	664	508	1118	330	229	914	8	19	102	25
286T	010039	632	702	508	1118	330	229	914	8	19	102	25
284TS	010040	559	629	508	1118	330	229	914	8	19	102	24
286TS	010040	597	667	508	1118	330	229	914	8	19	102	24
324T	010041	660	754	508	1118	330	229	914	8	19	102	6
326T	010041	697	792	508	1118	330	229	914	8	19	102	6
324TS	010042	621	716	508	1118	330	229	914	8	19	102	25
326TS	010042	659	754	508	1118	330	229	914	8	19	102	25
364TS	010043	751	762	622	1219	330	292	1016	8	19	102	25

SECTION 500  
PAGE 16  
DATE 4/10

# CRANE®

A Crane Co. Company

## PUMPS & SYSTEMS

USA: (937) 778-8947 • Canada: (905) 457-6223 • International: (937) 615-3598