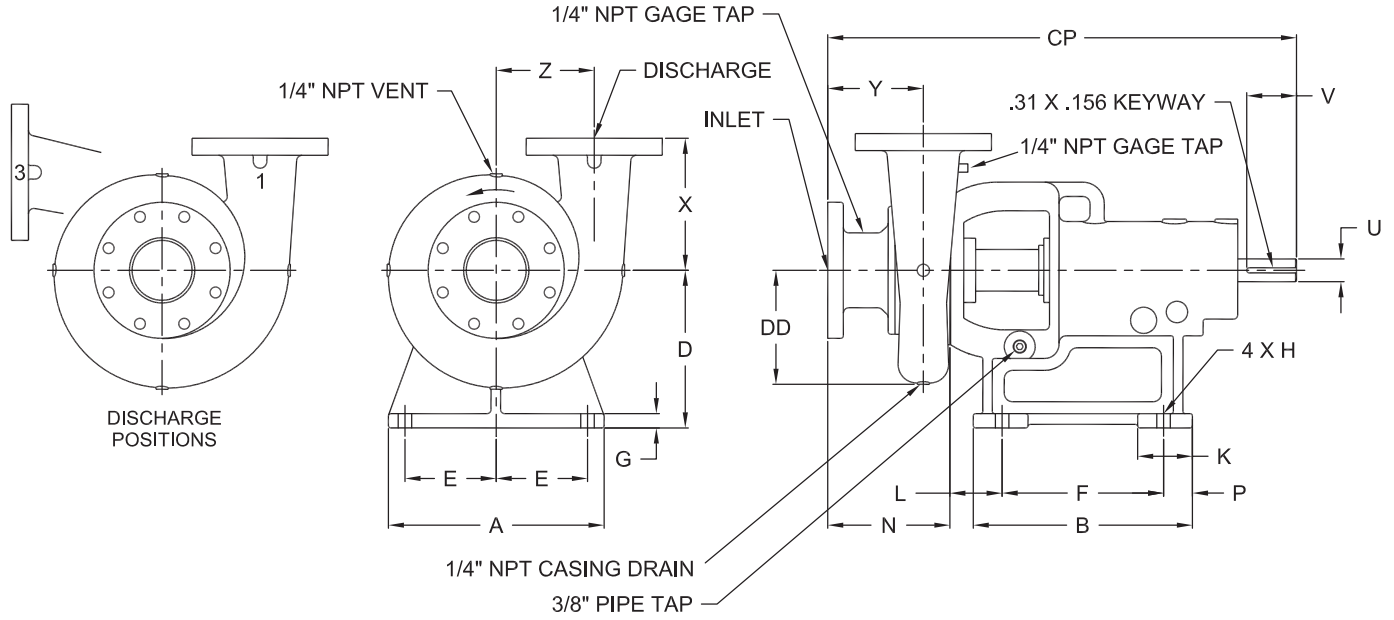


### Frame Mounted End Suction, Flanged Connection

<b>PUMP NO.</b>	<b>PUMP:</b>	<b>MOTOR:</b>	<b>VOLTS:</b>
<b>FOR:</b>	<b>TDH:</b>	<b>HP:</b>	<b>HZ:</b>
<b>CERT. BY:</b>	<b>GPM:</b>	<b>RPM:</b>	<b>FRAME:</b>
<b>DATE:</b>	<b>FIGURE NO:</b>	<b>PHASE:</b>	
		<b>ENCLOSURE:</b>	



CONNECTIONS FOR 125# FLANGES (inches)

PUMP & FRAME	DISCH.	INLET	A	B	D	E	F	G	H	K	L	N	P	U	V	X	Y	Z	CP	DD
1G-2A	1	1.25	9.00	7.75	7.00	3.63	5.75	.63	.56	1.88	2.63	5.91	1.00	.94	2.00	5.00	4.33	4.10	19.94	5.00
1.5G-2A	1.5	2	9.00	7.75	7.00	3.63	5.75	.63	.56	1.88	2.63	5.16	1.00	.94	2.00	5.70	3.58	4.30	19.13	5.63
1.5G1-2A	1.5	2	9.00	7.75	7.00	3.63	5.75	.63	.56	1.88	2.63	5.16	1.00	.94	2.00	5.70	3.58	4.30	19.13	5.63
1.5GT-2A	1.5	3	9.00	7.75	7.00	3.63	5.75	.63	.56	1.88	2.63	6.91	1.00	.94	2.00	5.70	5.33	4.30	20.88	5.63
1.5K-2A	1.5	2	9.00	7.75	7.00	3.63	5.75	.63	.56	1.88	2.63	5.47	1.00	.94	2.00	6.50	3.65	6.70	19.56	7.25
1.5K1-2A	1.5	2	9.00	7.75	7.00	3.63	5.75	.63	.56	1.88	2.63	5.47	1.00	.94	2.00	6.50	3.65	6.70	19.56	7.25
1.5KH-2A	1.5	2	9.00	7.75	7.00	3.63	5.75	.63	.56	1.88	2.63	5.85	1.00	.94	2.00	7.50	4.87	6.70	20.00	8.00
2G-2A	2	3	9.00	7.75	7.00	3.63	5.75	.63	.56	1.88	2.63	5.67	1.00	.94	2.00	5.50	4.13	4.50	19.63	5.81
2K-2A	2	3	9.00	7.75	7.00	3.63	5.75	.63	.56	1.88	2.63	5.55	1.00	.94	2.00	6.70	3.83	6.00	19.56	7.50
2.5G-2A	2.5	3	9.00	7.75	7.00	3.63	5.75	.63	.56	1.88	2.63	5.71	1.00	.94	2.00	6.25	4.03	4.50	19.69	6.06
2.5K-2A	2.5	3	9.00	7.75	7.00	3.63	5.75	.63	.56	1.88	2.63	5.97	1.00	.94	2.00	7.00	4.06	6.25	19.88	7.69
3G-2A	3	4	9.00	7.75	7.00	3.63	5.75	.63	.56	1.88	2.63	6.47	1.00	.94	2.00	6.00	4.63	4.80	20.50	6.63
3K-2A	3	4	9.00	7.75	7.00	3.63	5.75	.63	.56	1.88	2.63	6.35	1.00	.94	2.00	7.50	4.48	6.50	20.38	8.13
3K1-2A	3	4	9.00	7.75	7.00	3.63	5.75	.63	.56	1.88	2.63	6.35	1.00	.94	2.00	7.50	4.48	6.50	20.38	8.13
4G-2A	4	5	9.00	7.75	7.00	3.63	5.75	.63	.56	1.88	2.63	6.77	1.00	.94	2.00	6.75	4.77	5.50	20.75	7.38
4G1-2A	4	5	9.00	7.75	7.00	3.63	5.75	.63	.56	1.88	2.63	6.77	1.00	.94	2.00	6.75	4.77	5.50	20.75	7.38
4GL-2A	4	5	9.00	7.75	7.00	3.63	5.75	.63	.56	1.88	2.63	6.77	1.00	.94	2.00	6.75	4.77	5.50	20.75	7.38

# Types "G, GL, GT, K, KH"

## End Suction Frame Pumps No. 2A Bearing Frame

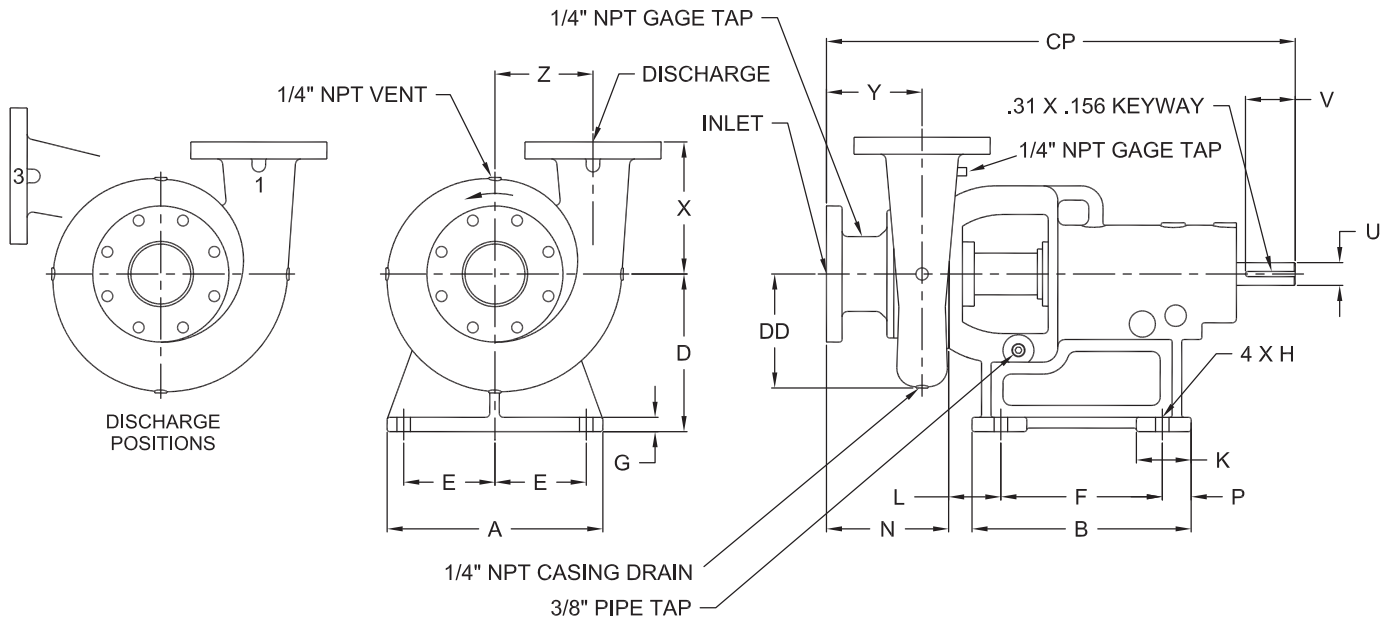
### Metric (Millimeters)



www.cranepumps.com

### Frame Mounted End Suction, Flanged Connection

PUMP NO.	PUMP:	MOTOR:	VOLTS:
FOR:	TDH:	HP:	HZ:
CERT. BY:	GPM:	RPM:	FRAME:
DATE:	FIGURE NO:	PHASE:	
		ENCLOSURE:	



CONNECTIONS FOR 125# FLANGES (mm)

PUMP & FRAME	DISCH. (INCH)	INLET (INCH)	A	B	D	E	F	G	H	K	L	N	P	U	V	X	Y	Z	CP	DD
1G-2A	1	1.25	229	1.97	178	92	146	16	14	48	67	150	25	24	51	127	110	104	506	127
1.5G-2A	1.5	2	229	197	178	92	146	16	14	48	67	131	25	24	51	144	91	109	486	143
1.5G1-2A	1.5	2	229	197	178	92	146	16	14	48	67	131	25	24	51	144	91	109	486	143
1.5GT-2A	1.5	3	229	197	178	92	146	16	14	48	67	176	25	24	51	144	135	109	530	143
1.5K-2A	1.5	2	229	197	178	92	146	16	14	48	67	139	25	24	51	165	92	170	497	184
1.5K1-2A	1.5	2	229	197	178	92	146	16	14	48	67	139	25	24	51	165	92	170	497	184
1.5KH-2A	1.5	2	229	197	178	92	146	16	14	48	67	149	25	24	51	190	123	170	508	203
2G-2A	2	3	229	197	178	92	146	16	14	48	67	144	25	24	51	139	105	114	499	148
2K-2A	2	3	229	197	178	92	146	16	14	48	67	141	25	24	51	170	97	152	497	191
2.5G-2A	2.5	3	229	197	178	92	146	16	14	48	67	145	25	24	51	158	102	114	500	154
2.5K-2A	2.5	3	229	197	178	92	146	16	14	48	67	152	25	24	51	177	103	152	505	195
3G-2A	3	4	229	197	178	92	146	16	14	48	67	164	25	24	51	152	117	122	521	168
3K-2A	3	4	229	197	178	92	146	16	14	48	67	161	25	24	51	190	113	165	518	206
3K1-2A	3	4	229	197	178	92	146	16	14	48	67	161	25	24	51	190	113	165	518	206
4G-2A	4	5	229	197	178	92	146	16	14	48	67	172	25	24	51	171	121	139	527	187
4G1-2A	4	5	229	197	178	92	146	16	14	48	67	172	25	24	51	171	121	139	527	187
4GL-2A	4	5	229	197	178	92	146	16	14	48	67	172	25	24	51	171	121	139	527	187

SECTION 500  
PAGE 10  
DATE 4/10



PUMPS & SYSTEMS

A Crane Co. Company

USA: (937) 778-8947 • Canada: (905) 457-6223 • International: (937) 615-3598