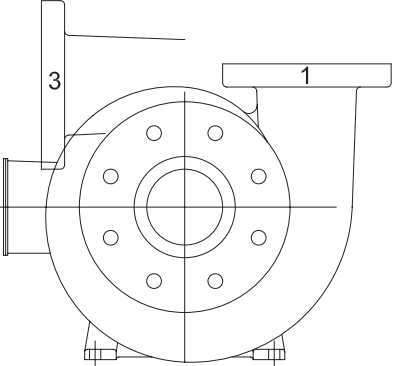
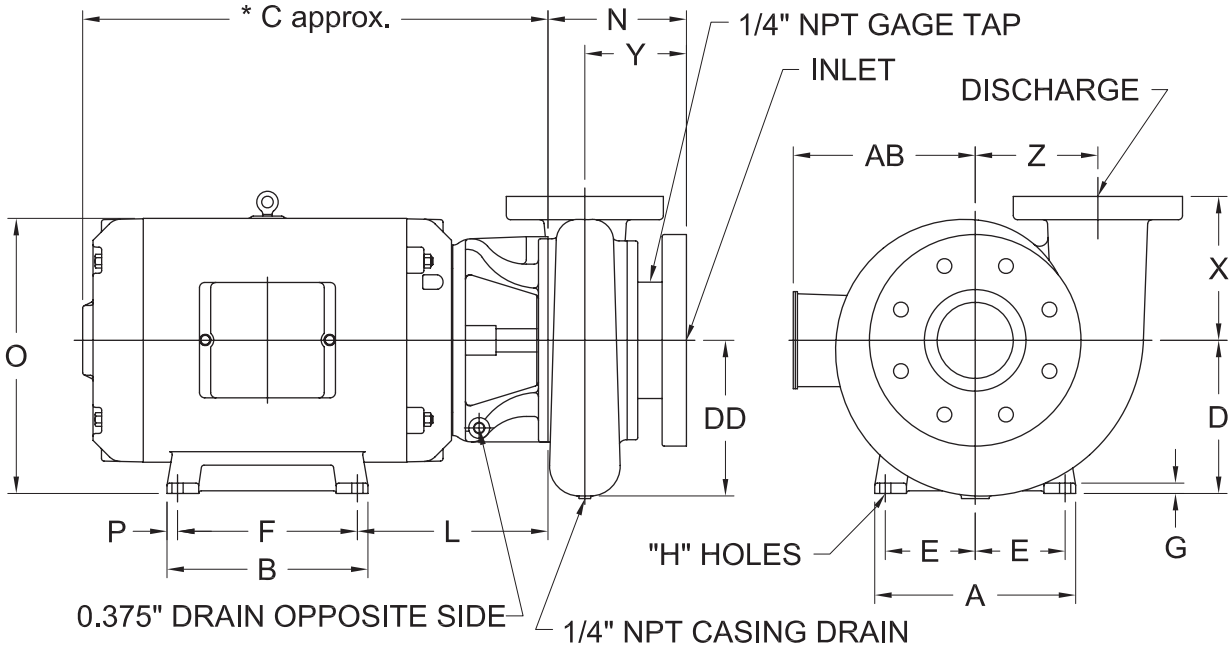


### Close Coupled End Suction, Flanged Connection

PUMP NO.		PUMP:		FLANGE RATING:		ENCLOSURE:									
FOR:		TDH:		HP:		VOLTS:									
CERT. BY:		PUMP SIZE:		RPM:		HZ:									
DATE:		MOTOR:		PHASE:		FRAME:									
<p>DISCHARGE POSITIONS</p> 		DIMENSIONS FOR 125# AND 300#													
		PUMP	DISCH. (INCH)	INLET (INCH)	N	X	Y	Z	DD						
		1.5KH	1.5	2	6.44	7.50	4.75	6.75	8.00						
		1.5K	1.5	2	6.19	6.50	3.44	5.75	7.25						
		1.5K1	1.5	2	6.19	6.50	3.44	5.75	7.25						
		2K	2	3	6.31	6.75	3.88	6.00	7.50						
		2.5G	2.5	3	6.25	7.75	4.00	4.50	6.06						
		2.5K	2.5	3	6.63	7.00	4.00	6.25	7.69						
		2.5KH	2.5	3	6.63	7.75	4.25	7.50	9.44						
		2.5KH1	2.5	3	6.63	7.75	4.25	7.50	9.44						
		3G	3	4	6.61	7.75	4.63	4.88	6.69						
		3K	3	4	6.50	7.25	4.50	6.50	8.13						
		3K1	3	4	6.50	7.25	4.50	6.50	8.13						
3KH	3	4	7.00	8.50	4.50	7.75	9.38								
3KH1	3	4	7.00	8.50	4.50	7.75	9.38								
		CONNECTIONS FOR 125# STANDARD FLANGES (inches)													
		MOTOR			ODP	TEFC XPR							ODP	TEFC XPR	
FRAME	ADAPTER	A	B	*C	*C	D	E	F	G	H	L	O	O	P	AB
213JP	C6385-1-A2	10.50	7.00	18.50	20.38	5.25	4.25	5.50	.63	.41	9.56	10.63	11.25	.75	9.25
215JP	C6385-1-A2	10.50	8.38	20.50	22.38	5.25	4.25	7.00	.63	.41	9.94	10.63	11.25	.75	9.25
254JP	C6385-1-A2	12.50	10.00	22.88	24.75	6.25	5.00	8.25	.88	.53	10.44	12.50	13.25	1.13	10.75
256JP	C6385-1-A2	12.50	11.75	24.63	26.50	6.25	5.00	10.00	.88	.53	10.44	12.50	13.25	1.13	10.75
284JP	C6679-A2	14.00	12.25	24.63	26.75	7.00	5.50	9.50	.88	.53	10.44	14.00	15.00	1.38	12.75
286JP	C6679-A2	14.00	13.75	26.13	28.13	7.00	5.50	9.50	.88	.53	10.44	14.00	15.00	1.38	12.75
324JP	C6679-A2	16.00	13.00	26.63	28.75	8.00	6.25	10.50	1.00	.66	10.94	16.00	17.00	1.63	15.25
326JP	C6679-A2	16.00	14.50	28.13	30.25	8.00	6.25	12.00	1.00	.66	10.94	16.00	17.00	1.63	15.25

# Models "G, K, KH"

Horizontal Close-Coupled End Suction Pumps  
 Pump Motors with Shaft Group 2 Impeller Fit - Metric (mm)

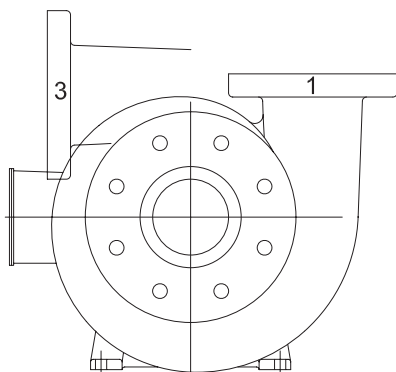


www.cranepumps.com

## Close Coupled End Suction, Flanged Connection

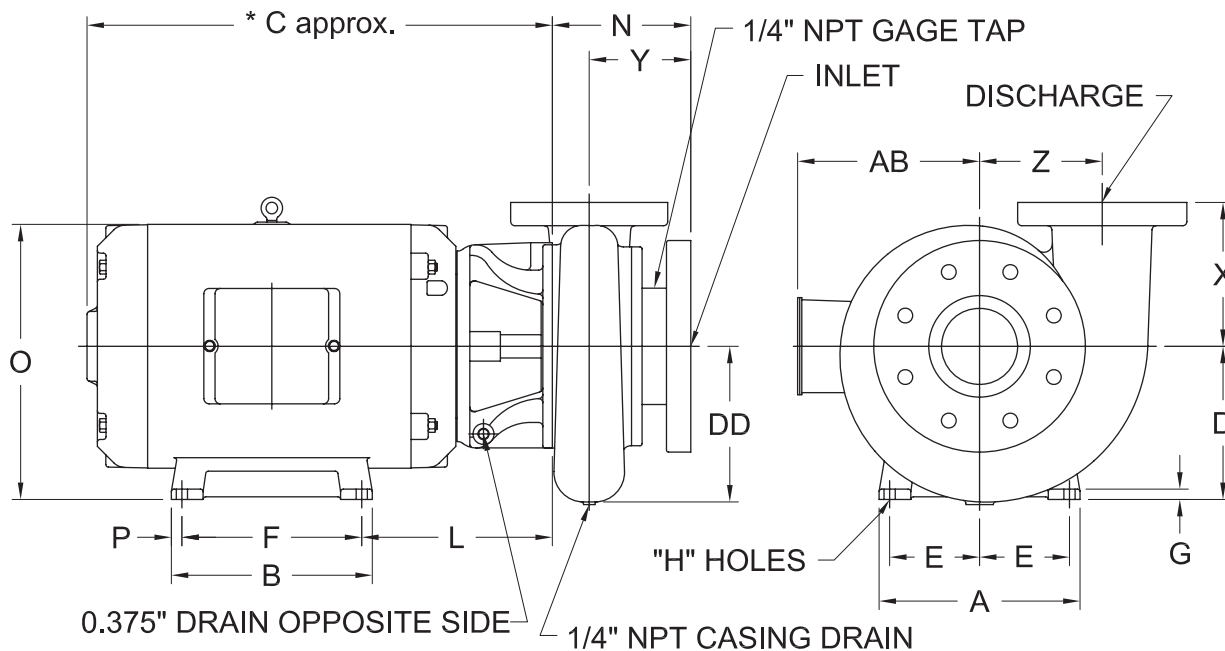
PUMP NO.		PUMP:	FLANGE RATING:	ENCLOSURE:
FOR:		TDH:	HP:	VOLTS:
CERT. BY:		GPM:	RPM:	HZ:
DATE:		PUMP SIZE:	PHASE:	FRAME:
		MOTOR:		

### DISCHARGE POSITIONS



### DIMENSIONS FOR 125# AND 300#

PUMP	DISCH. (INCH)	INLET (INCH)	N	X	Y	Z	DD
1.5KH	1.5	2	163	191	121	171	203
1.5K	1.5	2	157	165	87	146	184
1.5K1	1.5	2	157	165	87	146	184
2K	2	3	160	171	98	152	191
2.5G	2.5	3	159	197	102	114	154
2.5K	2.5	3	168	178	102	159	195
2.5KH	2.5	3	168	197	108	191	240
2.5KH1	2.5	3	168	197	108	191	240
3G	3	4	173	197	117	124	170
3K	3	4	165	184	114	165	206
3K1	3	4	165	184	114	165	206
3KH	3	4	178	216	114	197	238
3KH1	3	4	178	216	114	197	238



### CONNECTIONS FOR 125# STANDARD FLANGES (inches)

MOTOR												ODP	TEFC		
FRAME	ADAPTER	A	B	*C	*C	D	E	F	G	H	L	O	O	P	AB
213JP	C6385-1-A2	267	178	470	518	133	108	140	16	10	243	270	286	19	235
215JP	C6385-1-A2	267	213	521	568	133	108	178	16	10	252	270	286	19	235
254JP	C6385-1-A2	318	254	581	629	159	127	210	22	13	265	318	337	29	273
256JP	C6385-1-A2	318	298	625	673	159	127	254	22	13	265	318	337	29	273
284JP	C6679-A2	356	311	625	679	178	140	241	22	13	265	356	381	35	324
286JP	C6679-A2	356	349	664	714	178	140	241	22	13	265	356	381	35	324
324JP	C6679-A2	406	330	675	730	203	159	267	25	17	278	406	432	41	387
326JP	C6679-A2	406	368	714	768	203	159	305	25	17	278	406	432	41	387

SECTION 310  
 PAGE 12  
 DATE 2/10



## PUMPS & SYSTEMS

A Crane Co. Company

USA: (937) 778-8947 • Canada: (905) 457-6223 • International: (937) 615-3598