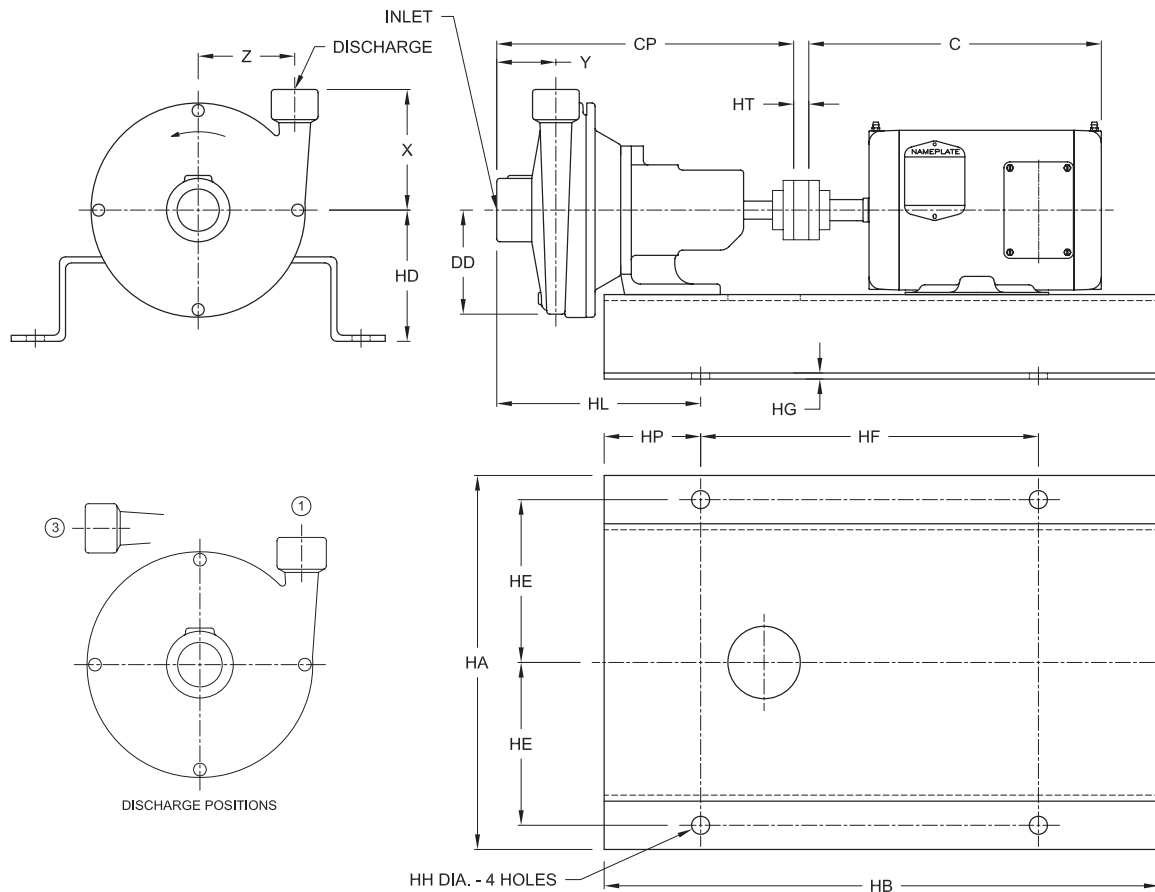


## Frame Mounted End Suction, Threaded Connections

<b>PUMP NO.</b>	<b>PUMP:</b>	<b>MOTOR:</b>	<b>VOLTS:</b>
<b>FOR:</b>	<b>TDH:</b>	<b>HP:</b>	<b>HZ:</b>
<b>CERT. BY:</b>	<b>GPM:</b>	<b>RPM:</b>	<b>FRAME:</b>
<b>DATE:</b>	<b>ROTATION:</b>	<b>PHASE:</b>	
	<b>FIGURE NO:</b>	<b>ENCLOSURE:</b>	



Connections - American Standard Taper Pipe Threads

Pump	Dis.	Suc.	HL	X	Y	Z	CP	DD
4AC-B6	1	1.25	8.19	4.75	1.75	3.25	12.00	3.88
4AE-B6	1	1.50	8.50	5.00	2.50	4.00	12.31	4.88
6AC-B6	1.50	2	8.75		2.63	3.75	12.56	
6AE-B6	1.50	2	8.75			4.00		5.13
8AC-B6	2	2.50	9.00	5.50	2.75	4.00	12.81	5.00

Horsepower

3 Phase		1 Phase		Motor Frame	Base	C		HA	HB	HD	HE	HF	HG	HH	HP	HT
3500	1750	3500	1750			DP	TE									
.33	.25, .33	.33	.25	48	010024	9.63	10.75	15.50	23.00	7.00	6.75	14.00	.25	.75	4	.38
.50, .75, 1	.50, .75	.50, .75, 1	.33, .50, .75	56	010025	11.25	13.38									.63
1.50		1.50		143T	010026	12.81	11.50									