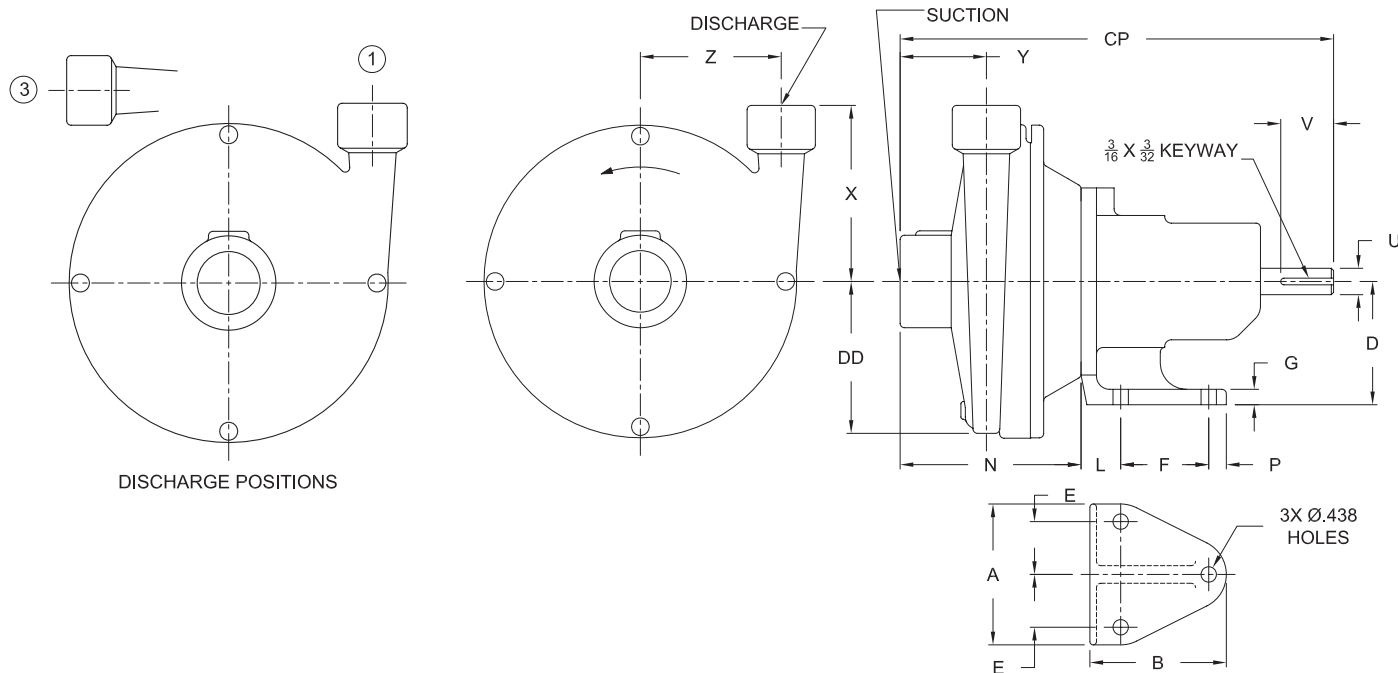


Frame Mounted End Suction, Threaded Connections

PUMP NO.		PUMP:		MOTOR:		VOLTS:	
FOR:		TDH:		HP:		HZ:	
CERT. BY:		GPM:		RPM:		FRAME:	
DATE:		ROTATION:		PHASE:			
		FIGURE NO:		ENCLOSURE:			



Connections - American Standard Taper Pipe Threads

Pump	Dis. (NPT)	Inlet (NPT)	A	B	D	E	F	G	L	N	P	U	V	X	Y	Z	CP	DD
4AC-B6	1	1.25	4.00	3.88	3.50	1.50	2.50	.38	1.13	4.88	.50	.75	1.63	4.75	1.75	3.25	12.00	3.88
4AE-B6	1	1.50								5.19				2.50	4.00	12.31	4.88	
6AC-B6	1.50	2	4.00	3.88	3.50	1.50	2.50	.38	1.13	5.44	.50	.75	1.63	5.00	2.63	3.75	12.56	4.88
6AE-B6	1.50	2								5.69				4.00	5.13			
8AC-B6	2	2.50								5.50				2.75	4.00	12.81	5.00	