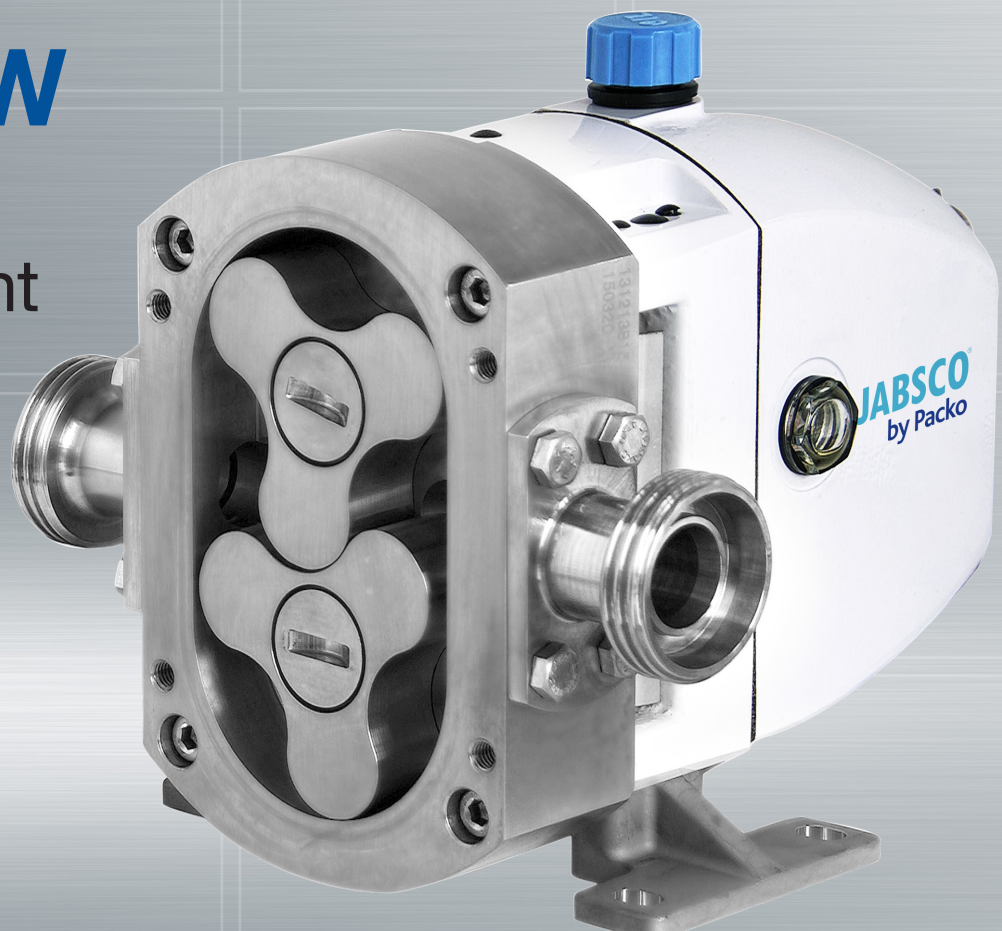


JABCO ROTARY LOBE PUMPS BY PACKO

# HP SERIES SPARE PARTS OVERVIEW

Keeping your  
process efficient



# TABLE OF CONTENTS

<b>TECHNICAL DRAWINGS</b>	<b>4</b>
Pump series HP 3	4
Pump series HP 4 - 5 - 6	6
<b>PUMP SERIES HP 3</b>	<b>8</b>
Gearbox assembly	8
Rotor Case for mech seal with welded ports (Wet end)	9
Rotor Case for flushed mech seal with welded ports	10
Wet end	11
Single mechanical seal	12
Flush for single mechanical seal	13
Single O-ring seal	13
Pressure relief valve	13
Thermal jacket	14
Tool	14
<b>PUMP SERIES HP 4</b>	<b>15</b>
Gearbox Assembly	15
Wet end: Bolt-on rotor Case for all mechanical seal	16
Wet end: Port	17
Single mechanical seal	18
Flush for single mechanical seal	20
Double mechanical seal	20
Single O-ring seal	20
Double O-ring seal	21
Packed gland seal	21
Pressure relief valve	21
Thermal jacket	22
Tool	22

## **PUMP SERIES HP 5**

**23**

Gearbox assembly	23
Wet end	24
Wet end: Port	25
Single mechanical seal	26
Flush for single mechanical seal	28
Double mechanical seal	28
Single O-ring seal	28
Double O-ring seal	29
Packed gland seal	29
Pressure relief valve	29
Thermal jacket	30
Tool	30

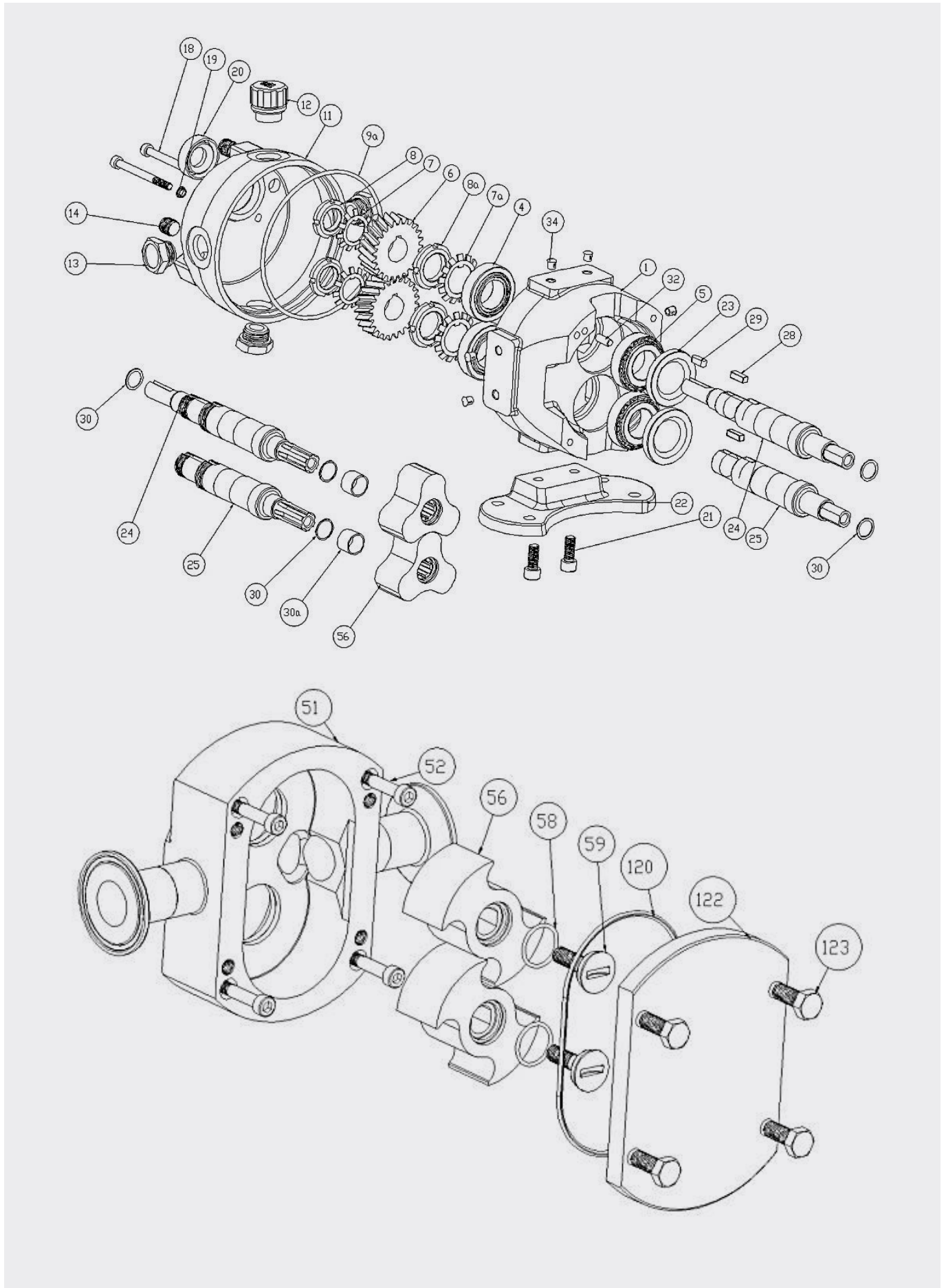
## **PUMP SERIES HP 6**

**31**

Gearbox assembly	31
Wet end: Bolt-on rotor Case for all mechanical seal	32
Wet end: Port	33
Single mechanical seal	35
Flush for single mechanical seal	36
Double mechanical seal	36
Single O-ring seal	36
Double O-ring seal	37
Pressure relief valve	37
Thermal jacket	37
Tool	38

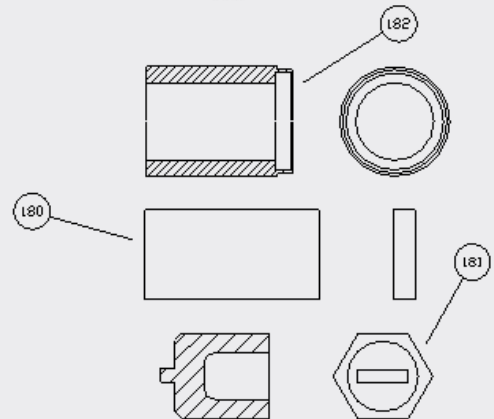
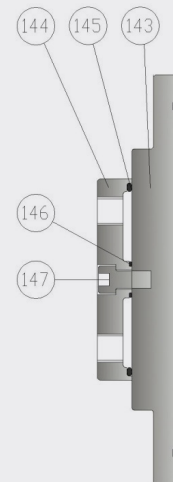
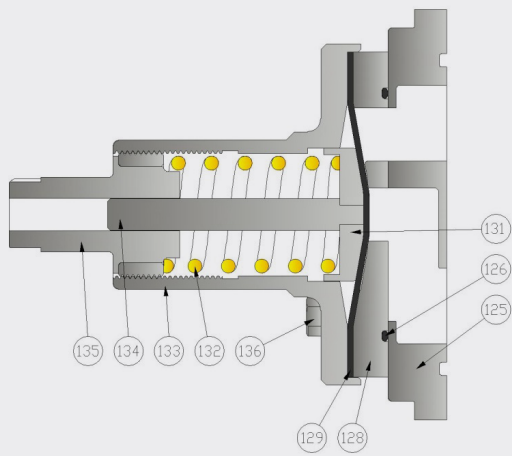
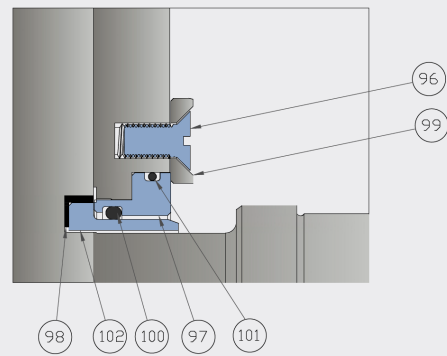
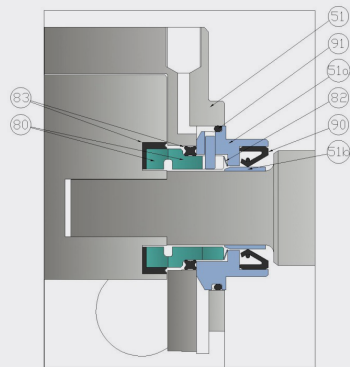
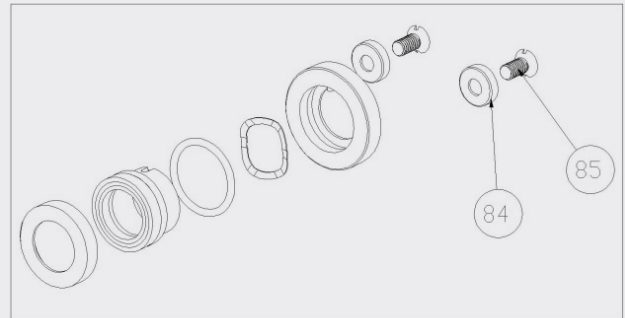
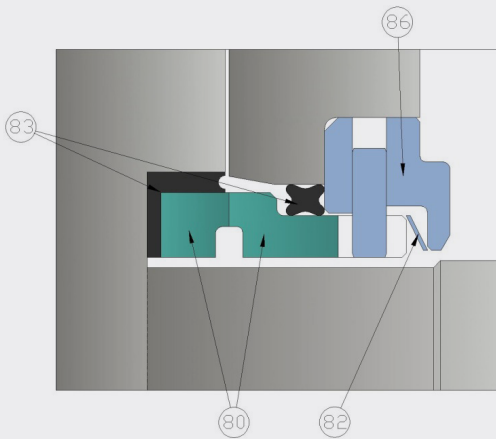
# TECHNICAL DRAWINGS

Pump series HP 3



# TECHNICAL DRAWINGS

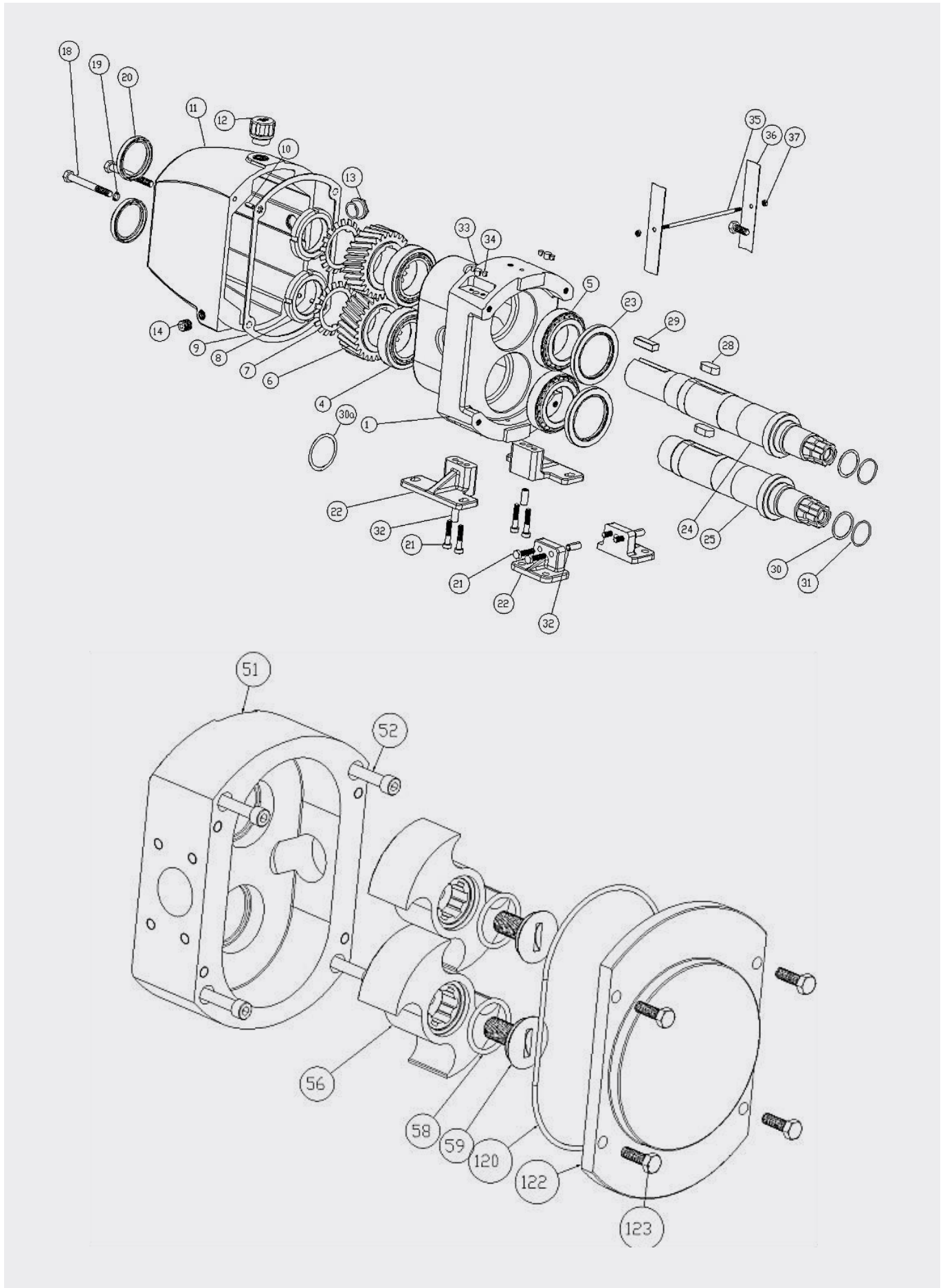
Pump series HP 3





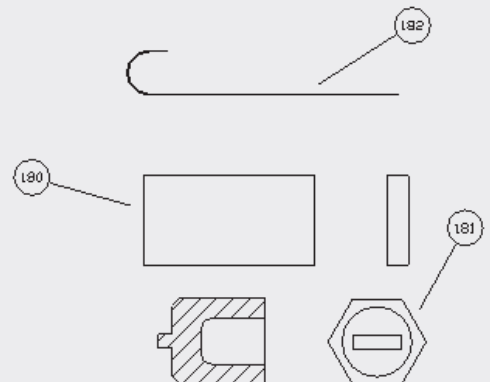
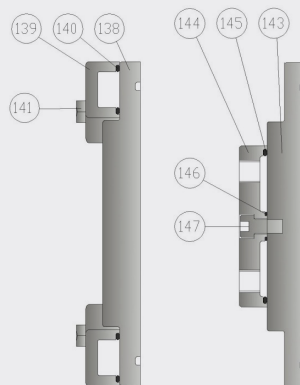
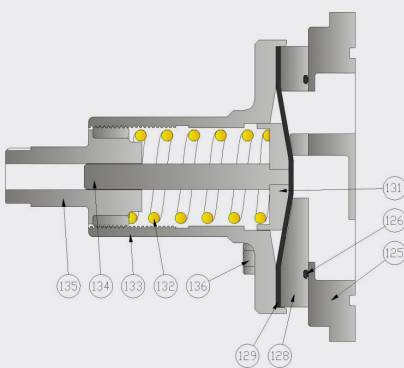
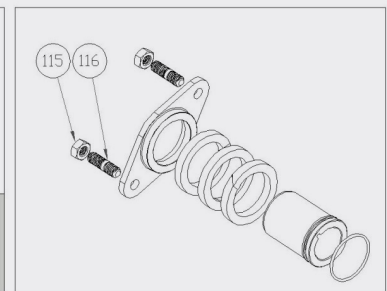
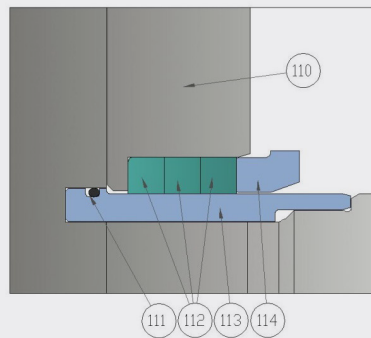
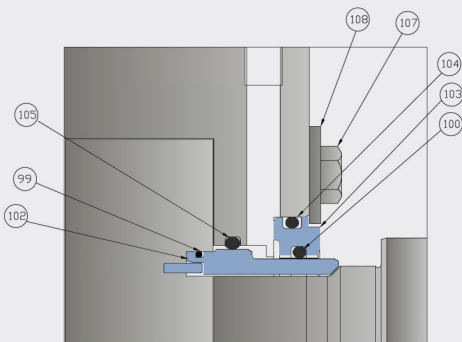
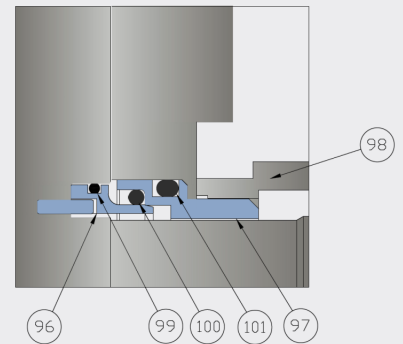
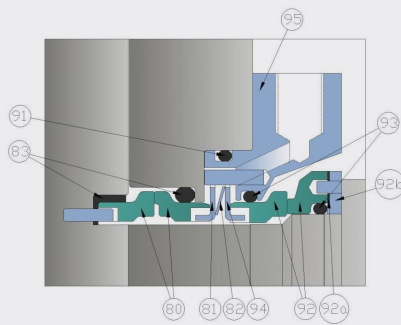
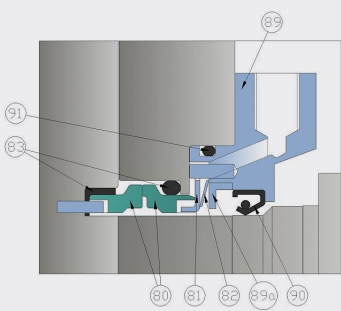
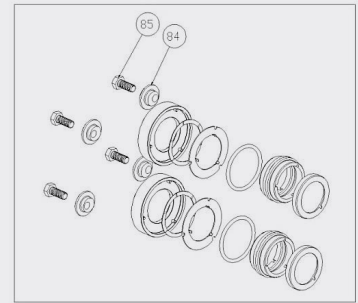
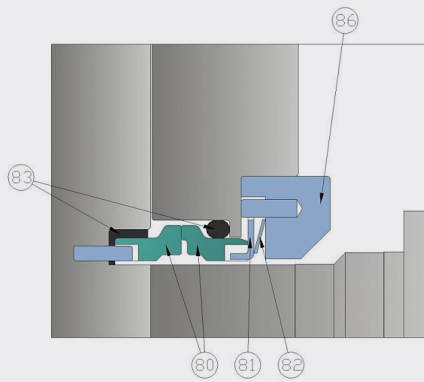
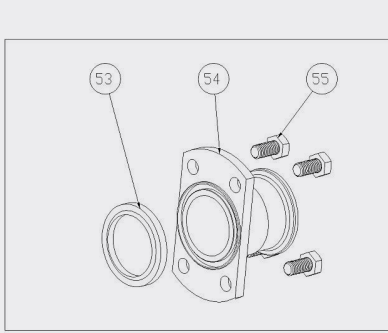
# TECHNICAL DRAWINGS

Pump series HP 4 - 5 - 6



# TECHNICAL DRAWINGS

Pump series HP 4 - 5 - 6



## PUMP SERIES HP 3

### Gearbox assembly

Item	Part nr.	Description	Material	Used	Quantity per	
					assembly	pump
1	<b>J54305-0000</b>	Bearing Carrier Housing	Aluminium	HP3	1	1
4	<b>J92601-6002</b>	Bearing - Rear			1	2
5	<b>J92601-6002</b>	Bearing - Front			1	2
6	<b>J54308-0000</b>	Timing Gear Set (2 gears per set)			1	1
7	<b>J91602-6001</b>	Tab Washer, Gear Nut			1	2
7a	<b>J91613-6006</b>	Tab Washer, Bearing Nut			1	2
8	<b>J91085-6002</b>	Gear Nut			1	2
8a	<b>J91085-6006</b>	Bearing Nut			1	2
9a	<b>JSP2000-03</b>	O-Ring, Gear Cover			1	1
11	<b>J54306-2050</b>	Gear Cover	Aluminium		1	1
12	<b>J24020-0002</b>	Plug, Oil Filler/Breather			1	1
13	<b>J24020-0005</b>	Plug, Blank			3	3
14	<b>JSP2650-0220</b>	Drain Plug			2	2
16	<b>J23005-2532</b>	Label, Nameplate			1	1
18	<b>JX3007-195F</b>	Screw, Gear Cover			2	2
19	<b>JSP1613-1389</b>	Washer, Gear Cover. Nylite			2	2
20	<b>J92701-6004</b>	Lip Seal Rear, Gear Cover			1	1
21	<b>JX3007-209F</b>	Screw, Foot			2	2
22	<b>J54318-0000</b>	Foot			1	1
23	<b>J92701-6066</b>	Lip Seal Front, Bearing Carrier Housing	Silicone		1	2
24	<b>J54327-0000</b>	Shaft, Driving, Scimitar, HE & HP		HP32	1	1
	<b>J54327-0001</b>	Shaft, Driving, Tri-lobe, HE & HP			1	1
	<b>J54347-0000</b>	Shaft, Driving, Scimitar, HP		HP34	1	1
	<b>J54347-0001</b>	Shaft, Driving, Tri-lobe, HP			1	1
25	<b>J54328-0000</b>	Shaft, Driven, Scimitar, HE & HP		HP32	1	1
	<b>J54328-0001</b>	Shaft, Driven, Tri-lobe, HE & HP			1	1
	<b>J54348-0000</b>	Shaft, Driven, Scimitar, HP		HP34	1	1
	<b>J54348-0001</b>	Shaft, Driven, Tri-lobe, HP			1	1
28	<b>JX4000-109A</b>	Key, Timing Gear Drive		HP3	1	2
29	<b>JX4000-104B</b>	Key, Drive Shaft			1	1
30	<b>J54386-0000B</b>	Shim Kit, Rotor, Scimitar, HE & HP			1	1
	<b>J54386-0003B</b>	Shim Kit, Rotor, Tri-lobe, HE & HP			1	1
	<b>J54386-0001B</b>	Shim Kit, Gear, Tri-lobe, HE & HP			1	1
30a	<b>J54391-1300</b>	Shim Spacer Ring			1	2
32	<b>JX4011-039F</b>	Dowel Pin			2	2
34	<b>JSP2650-0223</b>	Plug, Screw Hole			6	6
Kit	<b>J54318-0500B</b>	Foot kit			1	1



## PUMP SERIES HP 3

Rotor Case for mech seal with welded ports (Wet end)

Item	Part nr.	Description	Material	Used	Quantity per	
					assembly	pump
51	<b>J54323-1000</b>	Tri - Clamp (BS4825 part 3) - Standard, std. machined		HP32	1	1
	<b>J54323-1090</b>	Tri - Clamp (BS4825 part 3) - Standard, EP			1	1
	<b>J54323-1100</b>	Tri - Clamp (BS4825 part 3) - Enlarged, std. machined			1	1
	<b>J54323-1190</b>	Tri - Clamp (BS4825 part 3) - Enlarged, EP			1	1
	<b>J54323-2000</b>	BSP (BS2779) - Standard, std. machined			1	1
	<b>J54323-2090</b>	BSP (BS2779) - Standard, EP			1	1
	<b>J54323-2100</b>	BSP (BS2779) - Enlarged, std. machined			1	1
	<b>J54323-2190</b>	BSP (BS2779) - Enlarged, EP			1	1
	<b>J54323-3000</b>	IDF (ISO 2853) - Standard, std. machined			1	1
	<b>J54323-3090</b>	IDF (ISO 2853) - Standard, EP			1	1
	<b>J54323-3100</b>	IDF (ISO 2853) - Enlarged, std. machined			1	1
	<b>J54323-3190</b>	IDF (ISO 2853) - Enlarged, EP			1	1
	<b>J54323-4000</b>	RJT (BS1864) - Standard, std. machined			1	1
	<b>J54323-4090</b>	RJT (BS1864) - Standard, EP			1	1
	<b>J54323-4100</b>	RJT (BS1864) - Enlarged, std. machined			1	1
	<b>J54323-4190</b>	RJT (BS1864) - Enlarged, EP			1	1
	<b>J54323-5000</b>	3A ACME (BS3581) - Standard, std. machined			1	1
	<b>J54323-5090</b>	3A ACME (BS3581) - Standard, EP			1	1
	<b>J54323-5100</b>	3A ACME (BS3581) - Enlarged, std. machined			1	1
	<b>J54323-5190</b>	3A ACME (BS3581) - Enlarged, EP			1	1
	<b>J54323-6000</b>	DIN 11851 - Standard, std. machined			1	1
	<b>J54323-6090</b>	DIN 11851 - Standard, EP			1	1
	<b>J54323-6100</b>	DIN 11851 - Enlarged, std. machined			1	1
	<b>J54323-6190</b>	DIN 11851 - Enlarged, EP			1	1
	<b>J54323-7000</b>	SMS 1146 - Standard, std. machined			1	1
	<b>J54323-7090</b>	SMS 1146 - Standard, EP			1	1
	<b>J54323-7100</b>	SMS 1146 - Enlarged, std. machined			1	1
	<b>J54323-7190</b>	SMS 1146 - Enlarged, EP			1	1
	<b>J54323-9000</b>	NPT - Standard, std. machined			1	1
	<b>J54323-9090</b>	NPT - Standard, EP			1	1
	<b>J54323-9100</b>	NPT - Enlarged, std. machined			1	1
	<b>J54323-9190</b>	NPT - Enlarged, EP			1	1
51	<b>J54343-1000</b>	Tri - Clamp (BS4825 part 3) - Standard, std. machined		HP34	1	1
	<b>J54343-1090</b>	Tri - Clamp (BS4825 part 3) - Standard, EP			1	1
	<b>J54343-1150</b>	Tri - Clamp (BS4825 part 3) - Enlarged, std. machined			1	1
	<b>J54343-1159</b>	Tri - Clamp (BS4825 part 3) - Enlarged, EP			1	1
	<b>J54343-2000</b>	BSP (BS2779) - Standard, std. machined			1	1
	<b>J54343-2090</b>	BSP (BS2779) - Standard, EP			1	1
	<b>J54343-2150</b>	BSP (BS2779) - Enlarged, std. machined			1	1
	<b>J54343-2159</b>	BSP (BS2779) - Enlarged, EP			1	1
	<b>J54343-3100</b>	IDF (ISO 2853) - Standard, std. machined			1	1
	<b>J54343-3190</b>	IDF (ISO 2853) - Standard, EP			1	1
	<b>J54343-3150</b>	IDF (ISO 2853) - Enlarged, std. machined			1	1
	<b>J54343-3159</b>	IDF (ISO 2853) - Enlarged, EP			1	1
	<b>J54343-4100</b>	RJT (BS1864) - Standard, std. machined			1	1

## PUMP SERIES HP 3

Rotor Case for mech seal with welded ports (Wet end)

Item	Part nr.	Description	Material	Used	Quantity per	
					assembly	pump
	<b>J54343-4190</b>	RJT (BS1864) - Standard, EP			1	1
	<b>J54343-4150</b>	RJT (BS1864) - Enlarged, std. machined			1	1
	<b>J54343-4159</b>	RJT (BS1864) - Enlarged, EP			1	1
	<b>J54343-5100</b>	3A ACME (BS3581) - Standard, std. machined			1	1
	<b>J54343-5190</b>	3A ACME (BS3581) - Standard, EP			1	1
	<b>J54343-5150</b>	3A ACME (BS3581) - Enlarged, std. machined			1	1
	<b>J54343-5159</b>	3A ACME (BS3581) - Enlarged, EP			1	1
	<b>J54343-6100</b>	DIN 11851 - Standard, std. machined			1	1
	<b>J54343-6190</b>	DIN 11851 - Standard, EP			1	1
	<b>J54343-6151</b>	DIN 11851 - Enlarged, std. machined			1	1
	<b>J54343-6159</b>	DIN 11851 - Enlarged, EP			1	1
	<b>J54343-7100</b>	SMS 1146 - Standard, std. machined			1	1
	<b>J54343-7190</b>	SMS 1146 - Standard, EP			1	1
	<b>J54343-7150</b>	SMS 1146 - Enlarged, std. machined			1	1
	<b>J54343-7159</b>	SMS 1146 - Enlarged, EP			1	1
	<b>J54343-9100</b>	NPT - Standard, std. machined			1	1
	<b>J54343-9190</b>	NPT - Standard, EP			1	1
	<b>J54343-9150</b>	NPT - Enlarged, std. machined			1	1
	<b>J54343-9159</b>	NPT - Enlarged, EP			1	1

## PUMP SERIES HP 3

Rotor Case for flushed mech seal with welded ports

Item	Part nr.	Description	Material	Used	Quantity per	
					assembly	pump
51	<b>J54323-1004</b>	Tri - Clamp (BS4825 part 3) - Standard, std. machined		HP32	1	1
	<b>J54323-1104</b>	Tri - Clamp (BS4825 part 3) - Enlarged, std. machined			1	1
	<b>J54323-2004</b>	BSP (BS2779) - Standard, std. machined			1	1
	<b>J54323-2104</b>	BSP (BS2779) - Enlarged, std. machined			1	1
	<b>J54323-3004</b>	IDF (ISO 2853) - Standard, std. machined			1	1
	<b>J54323-3104</b>	IDF (ISO 2853) - Enlarged, std. machined			1	1
	<b>J54323-4004</b>	RJT (BS1864) - Standard, std. machined			1	1
	<b>J54323-4104</b>	RJT (BS1864) - Enlarged, std. machined			1	1
	<b>J54323-5004</b>	3A ACME (BS3581) - Standard, std. machined			1	1
	<b>J54323-5104</b>	3A ACME (BS3581) - Enlarged, std. machined			1	1
	<b>J54323-6004</b>	DIN 11851 - Standard, std. machined			1	1
	<b>J54323-6104</b>	DIN 11851 - Enlarged, std. machined			1	1
	<b>J54323-7004</b>	SMS 1146 - Standard, std. machined			1	1
	<b>J54323-7104</b>	SMS 1146 - Enlarged, std. machined			1	1
	<b>J54323-9004</b>	NPT - Standard, std. machined			1	1
	<b>J54323-9104</b>	NPT - Enlarged, std. machined			1	1
	<b>J54343-1004</b>	Tri - Clamp (BS4825 part 3) - Standard, std. machined		HP34	1	1

## PUMP SERIES HP 3

Rotor Case for flushed mech seal with welded ports

Item	Part nr.	Description	Material	Used	Quantity per	
					assembly	pump
	<b>J54343-1154</b>	Tri - Clamp (BS4825 part 3) - Enlarged, std. machined			1	1
	<b>J54343-2104</b>	BSP (BS2779) - Standard, std. machined			1	1
	<b>J54343-2154</b>	BSP (BS2779) - Enlarged, std. machined			1	1
	<b>J54343-3104</b>	IDF (ISO 2853) - Standard, std. machined			1	1
	<b>J54343-3154</b>	IDF (ISO 2853) - Enlarged, std. machined			1	1
	<b>J54343-4104</b>	RJT (BS1864) - Standard, std. machined			1	1
	<b>J54343-4154</b>	RJT (BS1864) - Enlarged, std. machined			1	1
	<b>J54343-5104</b>	3A ACME (BS3581) - Standard, std. machined			1	1
	<b>J54343-5154</b>	3A ACME (BS3581) - Enlarged, std. machined			1	1
	<b>J54343-6104</b>	DIN 11851 - Standard, std. machined			1	1
	<b>J54343-6154</b>	DIN 11851 - Enlarged, std. machined			1	1
	<b>J54343-7104</b>	SMS 1146 - Standard, std. machined			1	1
	<b>J54343-7154</b>	SMS 1146 - Enlarged, std. machined			1	1
	<b>J54343-9104</b>	NPT - Standard, std. machined			1	1
	<b>J54343-9154</b>	NPT - Enlarged, std. machined			1	1

## PUMP SERIES HP 3

Wet end

Item	Part nr.	Description	Material	Used	Quantity per	
					assembly	pump
52	<b>JX3007-186F</b>	Screw - Rotor Case		HP3	4	4
56	<b>J54322-0008B</b>	Rotor kit, HE, std. machined, Scimitar		HP32	1	1
	<b>J54322-0000B</b>	Rotor kit, HE, std. machined, Tri Lobe			1	1
	<b>J54322-0098B</b>	Rotor kit, HE, EP, Scimitar			1	1
	<b>J54322-0090B</b>	Rotor kit, HE, EP, Tri Lobe			1	1
	<b>J54322-0009B</b>	Rotor kit, HP, std. machined, Scimitar			1	1
	<b>J54322-0004B</b>	Rotor kit, HP, std. machined, Tri Lobe			1	1
	<b>J54322-0099B</b>	Rotor kit, HP, EP, Scimitar			1	1
	<b>J54322-0094B</b>	Rotor kit, HP, EP, Tri Lobe			1	1
	<b>J54342-0009B</b>	Rotor kit, HP, std. machined, Scimitar		HP34	1	1
	<b>J54342-0004B</b>	Rotor kit, HP, std. machined, Tri Lobe			1	1
	<b>J54342-0099B</b>	Rotor kit, HP, EP, Scimitar			1	1
	<b>J54342-0094B</b>	Rotor kit, HP, EP, Tri Lobe			1	1
58	<b>J92000-6047</b>	O-Ring - Rotor Retainer	Nitrile	HP3	1	2
	<b>J92000-6058</b>	O-Ring - Rotor Retainer	EPDM		1	2
	<b>J92000-6057</b>	O-Ring - Rotor Retainer	Viton		1	2
	<b>J92000-6059</b>	O-Ring - Rotor Retainer	PTFE		1	2
59	<b>J54325-0000</b>	Rotor Retaining Screw, std. machined			1	2
	<b>J54325-0090</b>	Rotor Retaining Screw, EP			1	2
120	<b>J92000-6049</b>	O-Ring - End Cover	Nitrile		1	1
	<b>J92000-6055</b>	O-Ring - End Cover	EPDM		1	1
	<b>J92000-6054</b>	O-Ring - End Cover	Viton		1	1

## PUMP SERIES HP 3

Wet end

Item	Part nr.	Description	Material	Used	Quantity per	
					assembly	pump
	<b>J92000-6056</b>	O-Ring - End Cover	PTFE		1	1
122	<b>J54309-0000</b>	End Cover - O-Ring Joint, std. machined			1	1
	<b>J54309-0090</b>	End Cover - O-Ring Joint, EP			1	1
123	<b>JX3001-209F</b>	Bolt - End Cover			4	4

## PUMP SERIES HP 3

Single mechanical seal

Item	Part nr.	Description	Material	Used	Quantity per	
					assembly	pump
80	<b>J96080-6007</b>	Primary Seal Face Kit (Includes both faces)	C/SS	HP3	1	2
	<b>JSP6080-0528</b>	Primary Seal Face Kit (Includes both faces)	C/SiC		1	2
	<b>JSP6080-0527</b>	Primary Seal Face Kit (Includes both faces)	SiC/SiC		1	2
82	<b>JX5250-005</b>	Wave Spring - Mechanical Seal			1	2
83	<b>J96080-6008</b>	Single Seal Trim Kit	Nitrile		1	2
	<b>JSP6080-0545U</b>	Single Seal Trim Kit	EPDM		1	2
	<b>J96080-0619</b>	Single Seal Trim Kit	Viton		1	2
	<b>JSP6080-0547</b>	Single Seal Trim Kit	PTFE/ Kalrez		1	2
84	<b>J55043-0000</b>	Clamp Plate			2	4
85	<b>JX3005-178F</b>	Screw - Seal Housing			2	4
86	<b>JSP6080-0538</b>	Seal Housing Kit (includes wave spring)			1	2
Kit	<b>J54384-9070B</b>	Pump Head Trim Kit	Nitrile		1	1
	<b>J54384-9077B</b>	Pump Head Trim Kit	EPDM		1	1
	<b>J54384-9074B</b>	Pump Head Trim Kit	Viton		1	1
	<b>J54384-9072B</b>	Pump Head Trim Kit	PTFE/ Kalrez		1	1
	<b>J54399-0001</b>	Seal Service Kit, C/SS	Nitrile		1	1
	<b>J54399-0003</b>	Seal Service Kit, C/SS	EPDM		1	1
	<b>J54399-0005</b>	Seal Service Kit, C/SS	Viton		1	1
	<b>J54399-0007</b>	Seal Service Kit, C/SS	PTFE/ Kalrez		1	1
	<b>J54399-0009</b>	Seal Service Kit, C/SiC	Nitrile		1	1
	<b>J54399-0011</b>	Seal Service Kit, C/SiC	EPDM		1	1
	<b>J54399-0013</b>	Seal Service Kit, C/SiC	Viton		1	1
	<b>J54399-0015</b>	Seal Service Kit, C/SiC	PTFE/ Kalrez		1	1
	<b>J54399-0017</b>	Seal Service Kit, SiC/SiC	Nitrile		1	1
	<b>J54399-0019</b>	Seal Service Kit, SiC/SiC	EPDM		1	1
	<b>J54399-0021</b>	Seal Service Kit, SiC/SiC	Viton		1	1
	<b>J54399-0023</b>	Seal Service Kit, SiC/SiC	PTFE/ Kalrez		1	1

## PUMP SERIES HP 3

Flush for single mechanical seal

Item	Part nr.	Description	Material	Used	Quantity per	
					assembly	pump
51a	<a href="#">J54344-0000</a>	Housing - Flushed Seal		HP3	1	2
51b	<a href="#">J54351-0011</a>	Sleeve			1	2
80	<a href="#">J96080-6007</a>	Primary Seal Face Kit (Includes both faces)	C/SS		1	2
	<a href="#">JSP6080-0528</a>	Primary Seal Face Kit (Includes both faces)	C/SiC		1	2
	<a href="#">JSP6080-0527</a>	Primary Seal Face Kit (Includes both faces)	SiC/SiC		1	2
83	<a href="#">J96080-6008</a>	Single Seal Trim Kit	Nitrile		1	2
	<a href="#">JSP6080-0545U</a>	Single Seal Trim Kit	EPDM		1	2
	<a href="#">J96080-0619</a>	Single Seal Trim Kit	Viton		1	2
	<a href="#">JSP6080-0547</a>	Single Seal Trim Kit	PTFE/ Kalrez		1	2
90	<a href="#">J92700-1050</a>	Lip Seal	Viton		1	2
	<a href="#">J92701-1035</a>	Lip Seal	Nitrile		1	2
91	<a href="#">J92000-6034</a>	O-Ring	Nitrile		1	2
Kit	<a href="#">J54345-0001</a>	Flushed Seal Housing Kit	Viton		1	1
	<a href="#">J54345-0000</a>	Flushed Seal Housing Kit	Nitrile		1	1

## PUMP SERIES HP 3

Single O-ring seal

Item	Part nr.	Description	Material	Used	Quantity per	
					assembly	pump
96	<a href="#">JX3005-178F</a>	Countersunk Screw		HP3	2	4
97	<a href="#">J54352-0000</a>	Housing			1	2
98	<a href="#">J96080-6033</a>	L-Cup			1	2
99	<a href="#">J55043-0000</a>	Locating Washer			2	4
100	<a href="#">J92000-6953</a>	O-Ring - Primary Seal	Nitrile		1	2
101	<a href="#">J92000-6034</a>	O-Ring - Seal Housing	Nitrile		1	2
102	<a href="#">J54353-0000</a>	Sleeve			1	2
Kit	<a href="#">J54351-0000</a>	Single O-Ring Seal Kit			1	1

## PUMP SERIES HP 3

Pressure relief valve

Item	Part nr.	Description	Material	Used	Quantity per	
					assembly	pump
125	<a href="#">J54309-0001</a>	End Cover		HP3	1	1
126	<a href="#">JX1990-119</a>	O-Ring - Relief Valve	Nitrile		1	1
	<a href="#">JX1990-123</a>	O-Ring - Relief Valve	PTFE		1	1
	<a href="#">J92000-6068</a>	O-Ring - Relief Valve	Viton		1	1
128	<a href="#">J54372-0000</a>	Seat - Relief valve			1	1
129	<a href="#">J54373-0000</a>	Diaphragm - Relief Valve	Nitrile		1	1
	<a href="#">J54373-0001</a>	Diaphragm - Relief Valve	PTFE		1	1

## PUMP SERIES HP 3

Pressure relief valve

Item	Part nr.	Description	Material	Used	Quantity per	
					assembly	pump
131	<b>J24074-0000</b>	Plunger			1	1
132	<b>J24075-0000</b>	Spring - Relief Valve			1	1
133	<b>J54382-0000</b>	Housing			1	1
134	<b>J24077-0000</b>	Valve Guide			1	1
135	<b>J24078-0000</b>	Adjusting Screw			1	1
136	<b>JX3001-184F</b>	Bolt - Relief Valve			4	4
Kit	<b>J54381-0000B</b>	Relief Valve Kit (includes components above)			1	1

## PUMP SERIES HP 3

Thermal jacket

Item	Part nr.	Description	Material	Used	Quantity per	
					assembly	pump
138	<b>J54309-0003</b>	End Cover		HP3	1	1
139	<b>J54301-0001</b>	Jacket			2	2
140	<b>J92000-1457</b>	O-Ring			2	2
141	<b>JX3001-213F</b>	Screws			4	4
Kit	<b>J54380-0003B</b>	Pump Head Jacket Kit (Includes components above)			1	1
143	<b>J54309-0004</b>	End Cover			1	1
144	<b>J54379-0000</b>	Jacket			1	1
145	<b>JX4020-374B</b>	O-Ring - Outer			1	1
146	<b>JX4020-112B</b>	O-Ring - Inner			1	1
147	<b>JX3007-178F</b>	Screws			1	1
Kit	<b>J54380-0004B</b>	End Cover Jacket Kit (Includes components above)			1	1
	<b>J54380-0009B</b>	Relief Valve with Thermal Jacket - End Cover			1	1

## PUMP SERIES HP 3

Tool

Item	Part nr.	Description	Material	Used	Quantity per	
					assembly	pump
180	<b>J55027-0000</b>	Tool - Rotor Locking Pad		HP3	1	1
181	<b>J54376-0000</b>	Socket Tool - Rotor Retainer			1	1
182	<b>J55274-0000</b>	Tool - Seal Seat Removal			1	1



## PUMP SERIES HP 4

### Gearbox Assembly

Item	Part nr.	Description	Material	Used	Quantity per	
					assembly	pump
1	<b>J54405-0500</b>	Bearing Carrier Housing	Aluminium	HP4	1	1
	<b>J56403-0500</b>	Bearing Carrier Housing	SS		1	1
4	<b>J92601-0480</b>	Bearing - Rear			1	2
5	<b>J92601-0480</b>	Bearing - Front			1	2
6	<b>J54408-0001</b>	Timing Gear Set (2 gears per set)			1	1
7	<b>J92601-0482</b>	Tab Washer, Gear Nut			1	2
8	<b>J92601-0481</b>	Gear Nut			1	2
9	<b>J54407-0000</b>	Gasket Gear Cover			1	1
10	<b>JSP3100-0225</b>	Roll Pin - Bearing Carrier Housing			1	1
11	<b>J54406-0100</b>	Gear Cover	Aluminium		1	1
	<b>J56406-0000</b>	Gear Cover	SS		1	1
12	<b>J24020-0002</b>	Plug, Oil Filler/Breather			1	1
13	<b>JSP8022-2248</b>	Oil Level Window			1	1
14	<b>JSP2650-0220</b>	Drain Plug			1	1
16	<b>J23005-2464</b>	Label, Nameplate			1	1
18	<b>JX3001-195F</b>	Screw, Gear Cover			2	2
19	<b>JSP1613-1389</b>	Washer, Gear Cover. Nylite			2	2
20	<b>JSP2701-0903</b>	Lip Seal Rear, Gear Cover			1	1
21	<b>JX3007-182F</b>	Screw, Foot, Horizontal			4	4
	<b>JX3001-182F</b>	Screw, Foot, Vertical			4	4
22	<b>J54418-0500</b>	Foot, Horizontal			2	2
	<b>J54419-0500</b>	Foot, Vertical			2	2
23	<b>J92701-1045</b>	Lip Seal Front, Bearing Carrier Housing	Silicone		1	2
24	<b>J54427-0000</b>	Shaft, Driving		HP42	1	1
	<b>J54447-0000</b>	Shaft, Driving		HP44	1	1
25	<b>J54428-0000</b>	Shaft, Driven		HP42	1	1
	<b>J54448-0000</b>	Shaft, Driven		HP44	1	1
28	<b>JX4000-461A</b>	Key, Timing Gear Drive		HP4	1	2
29	<b>JX4000-487A</b>	Key, Drive Shaft			1	1
30	<b>J54486-0000B</b>	Shim Kit, Rotor, Scimitar & Tri lobe			1	1
30a	<b>J54486-0001B</b>	Shim Kit, Gear, Tri-lobe			1	1
31	<b>J92000-1422</b>	O-Ring - Shim Retention	Nitrile		1	2
32	<b>JSP3100-0227</b>	Dowel Pin			2	2
33	<b>JSP2650-0224</b>	Plug, Dowel Hole			2	2
34	<b>J92650-0278</b>	Plug, Screw Hole			4	4
kit	<b>J54418-0500B</b>	Foot kit, Horizontal			1	1
	<b>J54419-0500B</b>	Foot kit, Vertical			1	1
	<b>J54485-0000B</b>	Gearbox service kit			1	1

## PUMP SERIES HP 4

Wet end: Bolt-on rotor Case for all mechanical seal

Item	Part nr.	Description	Material	Used	Quantity per	
					assembly	pump
51	<a href="#">J54423-0000</a>	Rotor case, Bolt-on, std. machined		HP42	1	1
	<a href="#">J54423-0090</a>	Rotor case, Bolt-on, EP			1	1
	<a href="#">J54423-0001</a>	Rotor case, Bolt-on, std. machined, Hopper inlet			1	1
	<a href="#">J54423-0091</a>	Rotor case, Bolt-on, EP, Hopper inlet			1	1
	<a href="#">J54443-0000</a>	Rotor case, Bolt-on, std. machined		HP44	1	1
	<a href="#">J54443-0090</a>	Rotor case, Bolt-on, EP			1	1
	<a href="#">J54443-0001</a>	Rotor case, Bolt-on, std. machined, Hopper inlet			1	1
	<a href="#">J54443-0091</a>	Rotor case, Bolt-on, EP, Hopper inlet			1	1
	52	<a href="#">JX3007-218F</a>	Screw - Rotor Case		HP42	4
<a href="#">JX3007-222F</a>		Screw - Rotor Case		HP44	4	4
56	<a href="#">J54422-0008B</a>	Rotor kit, HE, std. machined, Scimitar		HP42	1	1
	<a href="#">J54422-0000B</a>	Rotor kit, HE, std. machined, Tri Lobe			1	1
	<a href="#">J54422-0098B</a>	Rotor kit, HE, EP, Scimitar			1	1
	<a href="#">J54422-0090B</a>	Rotor kit, HE, EP, Tri Lobe			1	1
	<a href="#">J54422-0009B</a>	Rotor kit, HP, std. machined, Scimitar			1	1
	<a href="#">J54422-0004B</a>	Rotor kit, HP, std. machined, Tri Lobe			1	1
	<a href="#">J54422-0099B</a>	Rotor kit, HP, EP, Scimitar			1	1
	<a href="#">J54422-0094B</a>	Rotor kit, HP, EP, Tri Lobe			1	1
	<a href="#">J54442-0009B</a>	Rotor kit, HP, std. machined, Scimitar		HP44	1	1
	<a href="#">J54442-0004B</a>	Rotor kit, HP, std. machined, Tri Lobe			1	1
	<a href="#">J54442-0099B</a>	Rotor kit, HP, EP, Scimitar			1	1
	<a href="#">J54442-0094B</a>	Rotor kit, HP, EP, Tri Lobe			1	1
	58	<a href="#">J92000-1423</a>	O-Ring - Rotor Retainer	Nitrile	HP4	1
<a href="#">J92000-6907</a>		O-Ring - Rotor Retainer	EPDM		1	2
<a href="#">J92000-1450</a>		O-Ring - Rotor Retainer	Viton		1	2
<a href="#">J92000-6024</a>		O-Ring - Rotor Retainer	PTFE		1	2
59		<a href="#">J54425-0000</a>	Rotor Retaining Screw, std. machined			1
	<a href="#">J54425-0090</a>	Rotor Retaining Screw, EP			1	2
60	<a href="#">J24068-0001</a>	Shaft Guard			2	2
61	<a href="#">J24069-0002</a>	Shaft Guard Stud			1	1
62	<a href="#">JX3070-061F</a>	Shaft Guard Nut			2	2
120	<a href="#">J92000-1441</a>	O-Ring - End Cover	Nitrile		1	1
	<a href="#">J92000-1440</a>	O-Ring - End Cover	EPDM		1	1
	<a href="#">J92000-1442</a>	O-Ring - End Cover	Viton		1	1
	<a href="#">J92000-6027</a>	O-Ring - End Cover	PTFE		1	1
122	<a href="#">J54409-0000</a>	End Cover - O-Ring Joint, std. machined			1	1
	<a href="#">J54409-0090</a>	End Cover - O-Ring Joint, EP			1	1
123	<a href="#">JX3001-211F</a>	Bolt - End Cover			4	4

## PUMP SERIES HP 4

Wet end: Port

Item	Part nr.	Description	Material	Used	Quantity per	
					assembly	pump
53	<a href="#">J54058-0100B</a>	Port Joint Ring Kit (2 seals)	Nitrile	HP42	1	1
	<a href="#">J24058-0107B</a>	Port Joint Ring Kit (2 seals)	EPDM		1	1
	<a href="#">J54058-0104B</a>	Port Joint Ring Kit (2 seals)	Viton		1	1
	<a href="#">J24058-0102B</a>	Port Joint Ring Kit (2 seals)	PTFE		1	1
	<a href="#">J54058-0150B</a>	Port Joint Ring Kit (2 seals)	Nitrile	HP44	1	1
	<a href="#">J24058-0157B</a>	Port Joint Ring Kit (2 seals)	EPDM		1	1
	<a href="#">J54058-0154B</a>	Port Joint Ring Kit (2 seals)	Viton		1	1
	<a href="#">J24058-0152B</a>	Port Joint Ring Kit (2 seals)	PTFE		1	1
54	<a href="#">J24055-1100B</a>	Tri - Clamp (BS4825 part 3) - Standard, std. machined		HP42	1	1
	<a href="#">J24055-1109B</a>	Tri - Clamp (BS4825 part 3) - Standard, EP			1	1
	<a href="#">J24255-1150B</a>	Tri - Clamp (BS4825 part 3) - Enlarged, std. machined			1	1
	<a href="#">J24255-1159B</a>	Tri - Clamp (BS4825 part 3) - Enlarged, EP			1	1
	<a href="#">J24055-2100B</a>	BSP (BS2779) - Standard, std. machined			1	1
	<a href="#">J24055-2109B</a>	BSP (BS2779) - Standard, EP			1	1
	<a href="#">J24255-2150B</a>	BSP (BS2779) - Enlarged, std. machined			1	1
	<a href="#">J24255-2159B</a>	BSP (BS2779) - Enlarged, EP			1	1
	<a href="#">J24055-3100B</a>	IDF (ISO 2853) - Standard, std. machined			1	1
	<a href="#">J24055-3109B</a>	IDF (ISO 2853) - Standard, EP			1	1
	<a href="#">J24255-3150B</a>	IDF (ISO 2853) - Enlarged, std. machined			1	1
	<a href="#">J24255-3159B</a>	IDF (ISO 2853) - Enlarged, EP			1	1
	<a href="#">J24055-4100B</a>	RJT (BS1864) - Standard, std. machined			1	1
	<a href="#">J24055-4109B</a>	RJT (BS1864) - Standard, EP			1	1
	<a href="#">J24255-4150B</a>	RJT (BS1864) - Enlarged, std. machined			1	1
	<a href="#">J24255-4159B</a>	RJT (BS1864) - Enlarged, EP			1	1
	<a href="#">J24055-5100B</a>	3A ACME (BS3581) - Standard, std. machined			1	1
	<a href="#">J24055-5109B</a>	3A ACME (BS3581) - Standard, EP			1	1
	<a href="#">J24255-5150B</a>	3A ACME (BS3581) - Enlarged, std. machined			1	1
	<a href="#">J24255-5159B</a>	3A ACME (BS3581) - Enlarged, EP			1	1
	<a href="#">J24055-6100B</a>	DIN 11851 - Standard, std. machined			1	1
	<a href="#">J24055-6109B</a>	DIN 11851 - Standard, EP			1	1
	<a href="#">J24255-6150B</a>	DIN 11851 - Enlarged, std. machined			1	1
	<a href="#">J24255-6159B</a>	DIN 11851 - Enlarged, EP			1	1
<a href="#">J24055-7100B</a>	SMS 1146 - Standard, std. machined			1	1	
<a href="#">J24055-7109B</a>	SMS 1146 - Standard, EP			1	1	
<a href="#">J24255-7150B</a>	SMS 1146 - Enlarged, std. machined			1	1	
<a href="#">J24255-7159B</a>	SMS 1146 - Enlarged, EP			1	1	
<a href="#">J24055-9100B</a>	NPT - Standard, std. machined			1	1	
<a href="#">J24055-9109B</a>	NPT - Standard, EP			1	1	
<a href="#">J24255-9150B</a>	NPT - Enlarged, std. machined			1	1	
<a href="#">J24255-9159B</a>	NPT - Enlarged, EP			1	1	

## PUMP SERIES HP 4

Wet end: Port

Item	Part nr.	Description	Material	Used	Quantity per	
					assembly	pump
54	<a href="#">J24055-1150B</a>	Tri - Clamp (BS4825 part 3) - Standard, std. machined		HP44	1	1
	<a href="#">J24055-1159B</a>	Tri - Clamp (BS4825 part 3) - Standard, EP			1	1
	<a href="#">J24255-1200B</a>	Tri - Clamp (BS4825 part 3) - Enlarged, std. machined			1	1
	<a href="#">J24255-1209B</a>	Tri - Clamp (BS4825 part 3) - Enlarged, EP			1	1
	<a href="#">J24055-2150B</a>	BSP (BS2779) - Standard, std. machined			1	1
	<a href="#">J24055-2159B</a>	BSP (BS2779) - Standard, EP			1	1
	<a href="#">J24255-2200B</a>	BSP (BS2779) - Enlarged, std. machined			1	1
	<a href="#">J24255-2209B</a>	BSP (BS2779) - Enlarged, EP			1	1
	<a href="#">J24055-3150B</a>	IDF (ISO 2853) - Standard, std. machined			1	1
	<a href="#">J24055-3159B</a>	IDF (ISO 2853) - Standard, EP			1	1
	<a href="#">J24255-3200B</a>	IDF (ISO 2853) - Enlarged, std. machined			1	1
	<a href="#">J24255-3209B</a>	IDF (ISO 2853) - Enlarged, EP			1	1
	<a href="#">J24055-4150B</a>	RJT (BS1864) - Standard, std. machined			1	1
	<a href="#">J24055-4159B</a>	RJT (BS1864) - Standard, EP			1	1
	<a href="#">J24255-4200B</a>	RJT (BS1864) - Enlarged, std. machined			1	1
	<a href="#">J24255-4209B</a>	RJT (BS1864) - Enlarged, EP			1	1
	<a href="#">J24055-5150B</a>	3A ACME (BS3581) - Standard, std. machined			1	1
	<a href="#">J24055-5159B</a>	3A ACME (BS3581) - Standard, EP			1	1
	<a href="#">J24255-5200B</a>	3A ACME (BS3581) - Enlarged, std. machined			1	1
	<a href="#">J24255-5209B</a>	3A ACME (BS3581) - Enlarged, EP			1	1
	<a href="#">J24055-6150B</a>	DIN 11851 - Standard, std. machined			1	1
	<a href="#">J24055-6159B</a>	DIN 11851 - Standard, EP			1	1
	<a href="#">J24255-6200B</a>	DIN 11851 - Enlarged, std. machined			1	1
	<a href="#">J24255-6209B</a>	DIN 11851 - Enlarged, EP			1	1
	<a href="#">J24055-7150B</a>	SMS 1146 - Standard, std. machined			1	1
	<a href="#">J24055-7159B</a>	SMS 1146 - Standard, EP			1	1
	<a href="#">J24255-7200B</a>	SMS 1146 - Enlarged, std. machined			1	1
	<a href="#">J24255-7209B</a>	SMS 1146 - Enlarged, EP			1	1
	<a href="#">J24055-9150B</a>	NPT - Standard, std. machined			1	1
	<a href="#">J24055-9159B</a>	NPT - Standard, EP			1	1
	<a href="#">J24255-9200B</a>	NPT - Enlarged, std. machined			1	1
	<a href="#">J24255-9209B</a>	NPT - Enlarged, EP			1	1
55	<a href="#">JX3001-207F</a>	Screw - Bolt on Port Retainers		HP4	4	8

## PUMP SERIES HP 4

Single mechanical seal

Item	Part nr.	Description	Material	Used	Quantity per	
					assembly	pump
80	<a href="#">J96080-0606</a>	Primary Seal Face Kit (Includes both faces)	C/SS	HP4	1	2
	<a href="#">J96080-0595</a>	Primary Seal Face Kit (Includes both faces)	C/SiC		1	2
	<a href="#">J96080-0597</a>	Primary Seal Face Kit (Includes both faces)	SiC/SiC		1	2
81	<a href="#">JX5240-004</a>	Drive Plate - Mechanical Seal			1	2

## PUMP SERIES HP 4

Single mechanical seal

Item	Part nr.	Description	Material	Used	Quantity per	
					assembly	pump
82	<a href="#">JX5250-017</a>	Wave Spring - Mechanical Seal			1	2
83	<a href="#">J96080-0615</a>	Single Seal Trim Kit	Nitrile		1	2
	<a href="#">J96080-0598</a>	Single Seal Trim Kit	EPDM		1	2
	<a href="#">J96080-0601</a>	Single Seal Trim Kit	Viton		1	2
	<a href="#">83A, 83B, 83C</a>	Single Seal Trim Kit	PTFE		1	2
83a	<a href="#">J54020-0004</a>	Washer under Seal Rotary Face (fitted to rotor)	Viton		1	2
83b	<a href="#">J54411-0000</a>	Sleeve (fitted to rotor)	PTFE		1	2
83c	<a href="#">J92000-1448</a>	Encapsulated O-Ring	PTFE encap		1	2
84	<a href="#">J56011-0000</a>	Clamp Plate - Seal Housing			2	4
85	<a href="#">JX3001-209F</a>	Screw - Seal Housing			2	4
86	<a href="#">J96080-0599</a>	Seal Housing Kit (Includes wave spring + Drive plate)			1	2
Kit	<a href="#">J54484-9100B</a>	Pump Head Trim Kit	Nitrile	HP42	1	1
	<a href="#">J54484-9107B</a>	Pump Head Trim Kit	EPDM		1	1
	<a href="#">J54484-9104B</a>	Pump Head Trim Kit	Viton		1	1
	<a href="#">J54484-9102B</a>	Pump Head Trim Kit	PTFE		1	1
	<a href="#">J54484-9150B</a>	Pump Head Trim Kit	Nitrile	HP44	1	1
	<a href="#">J54484-9157B</a>	Pump Head Trim Kit	EPDM		1	1
	<a href="#">J54484-9154B</a>	Pump Head Trim Kit	Viton		1	1
	<a href="#">J54484-9152B</a>	Pump Head Trim Kit	PTFE		1	1
Kit	<a href="#">J54499-0001</a>	Seal Service Kit, C/SS	Nitrile	HP42	1	1
	<a href="#">J54499-0003</a>	Seal Service Kit, C/SS	EPDM		1	1
	<a href="#">J54499-0005</a>	Seal Service Kit, C/SS	Viton		1	1
	<a href="#">J54499-0007</a>	Seal Service Kit, C/SS	PTFE		1	1
	<a href="#">J54499-0009</a>	Seal Service Kit, C/SiC	Nitrile		1	1
	<a href="#">J54499-0011</a>	Seal Service Kit, C/SiC	EPDM		1	1
	<a href="#">J54499-0013</a>	Seal Service Kit, C/SiC	Viton		1	1
	<a href="#">J54499-0015</a>	Seal Service Kit, C/SiC	PTFE		1	1
	<a href="#">J54499-0017</a>	Seal Service Kit, SiC/SiC	Nitrile		1	1
	<a href="#">J54499-0019</a>	Seal Service Kit, SiC/SiC	EPDM		1	1
	<a href="#">J54499-0021</a>	Seal Service Kit, SiC/SiC	Viton		1	1
	<a href="#">J54499-0023</a>	Seal Service Kit, SiC/SiC	PTFE		1	1
	<a href="#">J54499-0002</a>	Seal Service Kit, C/SS	Nitrile	HP44	1	1
	<a href="#">J54499-0004</a>	Seal Service Kit, C/SS	EPDM		1	1
	<a href="#">J54499-0006</a>	Seal Service Kit, C/SS	Viton		1	1
	<a href="#">J54499-0008</a>	Seal Service Kit, C/SS	PTFE		1	1
	<a href="#">J54499-0010</a>	Seal Service Kit, C/SiC	Nitrile		1	1
	<a href="#">J54499-0012</a>	Seal Service Kit, C/SiC	EPDM		1	1
	<a href="#">J54499-0014</a>	Seal Service Kit, C/SiC	Viton		1	1
	<a href="#">J54499-0016</a>	Seal Service Kit, C/SiC	PTFE		1	1
	<a href="#">J54499-0018</a>	Seal Service Kit, SiC/SiC	Nitrile		1	1
	<a href="#">J54499-0020</a>	Seal Service Kit, SiC/SiC	EPDM		1	1
	<a href="#">J54499-0022</a>	Seal Service Kit, SiC/SiC	Viton		1	1
	<a href="#">J54499-0024</a>	Seal Service Kit, SiC/SiC	PTFE		1	1

## PUMP SERIES HP 4

Flush for single mechanical seal

Item	Part nr.	Description	Material	Used	Quantity per	
					assembly	pump
89	<b>J96080-0604</b>	Seal Housing Kit		HP4	1	2
89a		Washer (part of Seal Housing Kit)			1	2
90	<b>J92701-1024</b>	Lip Seal - Seal Housing	Nitrile		1	2
91	<b>J92000-1455</b>	O-Ring - Seal Housing	Nitrile		1	2
Kit	<b>J54499-0025</b>	Flushed Seal Conversion Kit	Nitrile		1	1

## PUMP SERIES HP 4

Double mechanical seal

Item	Part nr.	Description	Material	Used	Quantity per	
					assembly	pump
92	<b>J96080-0596</b>	Secondary Seal Face Kit	C/SiC	HP4	1	2
92a		Rubber Washer (part of Secondary Seal Face Kit)	EPDM		1	2
92b		Drive Ring (part of Secondary Seal Face Kit)			1	2
93	<b>J96080-0616</b>	Secondary Seal Trim Kit	Nitrile		1	2
	<b>J96080-0600</b>	Secondary Seal Trim Kit	EPDM		1	2
	<b>J96080-0602</b>	Secondary Seal Trim Kit	Viton		1	2
94	<b>JX5240-004</b>	Drive Plate - Mechanical Seal Secondary			1	2
95	<b>J96080-0603</b>	Seal Housing Kit			1	2
Kit	<b>J54499-0030</b>	Double Mechanical Seal Conversion Kit			1	1

## PUMP SERIES HP 4

Single O-ring seal

Item	Part nr.	Description	Material	Used	Quantity per	
					assembly	pump
96	<b>J54453-0000</b>	Seal Sleeve		HP4	1	2
97	<b>J54452-0000</b>	Seal Housing			1	2
98	<b>J54454-0000</b>	Retaining Nut			1	2
99	<b>J92000-6033</b>	O-Ring - Rotor	Nitrile		1	2
100	<b>J92000-6053</b>	O-Ring - Primary Seal	Viton		1	2
101	<b>J92000-6045</b>	O-Ring - Seal Housing	Nitrile		1	2
Kit	<b>J54451-0000</b>	Single O-Ring Seal Kit			1	1



## PUMP SERIES HP 4

Double O-ring seal

Item	Part nr.	Description	Material	Used	Quantity per	
					assembly	pump
99	<a href="#">J92000-6033</a>	O-Ring - Rotor	Nitrile	HP4	1	2
100	<a href="#">J92000-6053</a>	O-Ring - Primary Seal	Viton		2	4
102	<a href="#">J54437-0000</a>	Seal Sleeve			1	2
103	<a href="#">J54438-0000</a>	Seal Housing			1	2
104	<a href="#">J92000-6037</a>	O-Ring Housing	Nitrile		2	4
105	<a href="#">J92000-6036</a>	O-Ring Flush Housing			1	2
107	<a href="#">JX3001-211F</a>	Bolt Flush Housing			2	4
108	<a href="#">J24605-0000</a>	Washer			2	4
Kit	<a href="#">J54436-0001</a>	Double O-Ring Seal Kit	Nitrile		1	1
	<a href="#">J54436-0002</a>	Double O-Ring Seal Kit	Viton		1	1

## PUMP SERIES HP 4

Packed gland seal

Item	Part nr.	Description	Material	Used	Quantity per	
					assembly	pump
110	<a href="#">J54423-0009</a>	Rotor Case - Flushed		HP42	1	1
	<a href="#">J54443-0009</a>	Rotor Case - Flushed		HP44	1	1
111	<a href="#">J92000-6033</a>	O-Ring - Sleeve	Nitrile	HP4	1	2
	<a href="#">J92000-6914</a>	O-Ring - Sleeve	Viton		1	2
112	<a href="#">J96080-6642</a>	Packing set (3 rings)			1	2
113	<a href="#">J96080-6641</a>	Sleeve			1	2
114	<a href="#">J96080-6643</a>	Gland Follower			1	2
115	<a href="#">JX3070-101F</a>	Gland Nut			2	4
116	<a href="#">J24034-0002</a>	Gland Stud			2	4
Kit	<a href="#">J96080-6640</a>	Packed Gland Seal Kit			1	1

## PUMP SERIES HP 4

Pressure relief valve

Item	Part nr.	Description	Material	Used	Quantity per	
					assembly	pump
125	<a href="#">J54409-0001</a>	End Cover		HP4	1	1
126	<a href="#">JX4020-374X</a>	O-Ring - Relief Valve	Nitrile		1	1
	<a href="#">JX4020-374E</a>	O-Ring - Relief Valve	PTFE		1	1
	<a href="#">JX4020-374Y</a>	O-Ring - Relief Valve	Viton		1	1
128	<a href="#">J24072-0001</a>	Seat - Relief valve			1	1
129	<a href="#">J54073-0020</a>	Diaphragm - Relief Valve	Nitrile		1	1
	<a href="#">J24073-0010</a>	Diaphragm - Relief Valve	PTFE		1	1
131	<a href="#">J24074-0000</a>	Plunger			1	1
132	<a href="#">J24075-0000</a>	Spring - Relief Valve			1	1

## PUMP SERIES HP 4

Pressure relief valve

Item	Part nr.	Description	Material	Used	Quantity per	
					assembly	pump
133	<a href="#">J24076-0000</a>	Housing			1	1
134	<a href="#">J24077-0000</a>	Valve Guide			1	1
135	<a href="#">J24078-0000</a>	Adjusting Screw			1	1
136	<a href="#">JX3001-213F</a>	Bolt - Relief Valve			2	2
Kit	<a href="#">J54481-0001B</a>	Relief Valve Kit (includes components above)	Nitrile		1	1
	<a href="#">J54481-0002B</a>	Relief Valve Kit (includes components above)	PTFE		1	1

## PUMP SERIES HP 4

Thermal jacket

Item	Part nr.	Description	Material	Used	Quantity per	
					assembly	pump
138	<a href="#">J54409-0003</a>	End Cover		HP4	1	1
139	<a href="#">J54401-0001</a>	Jacket			2	2
140	<a href="#">JX4020-357B</a>	O-Ring			2	2
141	<a href="#">JX3001-213F</a>	Screws			4	4
Kit	<a href="#">J54480-0003B</a>	Pump Head Jacket Kit (Includes components above)			1	1
143	<a href="#">J54409-0004</a>	End Cover			1	1
144	<a href="#">J55379-0000</a>	Jacket			1	1
145	<a href="#">JX4020-384B</a>	O-Ring - Outer			1	1
146	<a href="#">JX4020-112B</a>	O-Ring - Inner			1	1
147	<a href="#">JX3007-207F</a>	Screws			1	1
Kit	<a href="#">J54480-0004B</a>	End Cover Jacket Kit (Includes components above)			1	1
	<a href="#">J54480-0009B</a>	Relief Valve with Thermal Jacket - End Cover			1	1

## PUMP SERIES HP 4

Tool

Item	Part nr.	Description	Material	Used	Quantity per	
					assembly	pump
180	<a href="#">J55027-0004</a>	Tool - Rotor Locking Pad		HP4	1	1
181	<a href="#">J54576-0000</a>	Socket Tool - Rotor Retainer			1	1
182	<a href="#">J54677-0000</a>	Tool - Seal Seat Removal			1	1

## PUMP SERIES HP 5

### Gearbox assembly

Item	Part nr.	Description	Material	Used	Quantity per	
					assembly	pump
1	<b>J54505-0500</b>	Bearing Carrier Housing	Aluminium	HP5	1	1
	<b>J56503-0500</b>	Bearing Carrier Housing	SS		1	1
2	<b>JSP7040-0013</b>	Eye Bolt			1	1
3	<b>JX5268-002</b>	Washer - Eye Bolt			1	1
4	<b>J92601-0483</b>	Bearing - Rear			1	2
5	<b>J92601-0483</b>	Bearing - Front			1	2
6	<b>J54508-0001</b>	Timing Gear Set (2 gears per set)			1	1
7	<b>J92601-0485</b>	Tab Washer, Gear Nut			1	2
8	<b>J92601-0484</b>	Gear Nut			1	2
9	<b>J54507-0001</b>	Gasket Gear Cover			1	1
10	<b>JSP3100-0225</b>	Roll Pin - Bearing Carrier Housing			1	1
11	<b>J54506-0100</b>	Gear Cover	Aluminium		1	1
	<b>J56506-0000</b>	Gear Cover	SS		1	1
12	<b>J24020-0002</b>	Plug, Oil Filler/Breather			1	1
13	<b>JSP8022-2248</b>	Oil Level Window			1	1
14	<b>JSP2650-0220</b>	Drain Plug			1	1
16	<b>J23005-2464</b>	Label, Nameplate			1	1
18	<b>JX3000-223F</b>	Screw, Gear Cover			1	2
19	<b>JSP1613-1390</b>	Washer, Gear Cover. Nylite			1	2
20	<b>JX5280-011</b>	Lip Seal Rear, Gear Cover			1	1
21	<b>JX3007-186F</b>	Screw, Foot, Horizontal			2	2
	<b>JX3001-184F</b>	Screw, Foot, Vertical			2	2
22	<b>J54518-0500</b>	Foot, Horizontal			2	2
	<b>J54519-0500</b>	Foot, Vertical			2	2
23	<b>J92701-1028</b>	Lip Seal Front, Bearing Carrier Housing	Silicone		1	2
24	<b>J54527-0000</b>	Shaft, Driving		HP52	1	1
	<b>J54547-0000</b>	Shaft, Driving		HP54	1	1
25	<b>J54528-0000</b>	Shaft, Driven		HP52	1	1
	<b>J54548-0000</b>	Shaft, Driven		HP54	1	1
28	<b>JX4000-503A</b>	Key, Timing Gear Drive		HP5	1	2
29	<b>JX4000-528A</b>	Key, Drive Shaft			1	1
30	<b>J54586-0000B</b>	Shim Kit, Rotor, Scimitar & Tri lobe			1	1
30a	<b>J54586-0001B</b>	Shim Kit, Gear, Tri-lobe			1	1
31	<b>J92000-1427</b>	O-Ring - Shim Retention	Nitrile		1	2
32	<b>JSP3100-0227</b>	Dowel Pin			2	2
33	<b>JSP2650-0224</b>	Plug, Dowel Hole			2	2
34	<b>J92650-0278</b>	Plug, Screw Hole			4	4
kit	<b>J54518-0500B</b>	Foot kit, Horizontal			1	1
	<b>J54519-0500B</b>	Foot kit, Vertical			1	1
	<b>J54585-0000B</b>	Gearbox service kit			1	1

## PUMP SERIES HP 5

Wet end

Item	Part nr.	Description	Material	Used	Quantity per	
					assembly	pump
51	<a href="#">J54523-0000</a>	Rotor case, Bolt-on, std. machined		HP52	1	1
	<a href="#">J54523-0090</a>	Rotor case, Bolt-on, EP			1	1
	<a href="#">J54523-0001</a>	Rotor case, Bolt-on, std. machined, Hopper inlet			1	1
	<a href="#">J54523-0091</a>	Rotor case, Bolt-on, EP, Hopper inlet			1	1
	<a href="#">J54543-0000</a>	Rotor case, Bolt-on, std. machined		HP54	1	1
	<a href="#">J54543-0090</a>	Rotor case, Bolt-on, EP			1	1
	<a href="#">J54543-0001</a>	Rotor case, Bolt-on, std. machined, Hopper inlet			1	1
	<a href="#">J54543-0091</a>	Rotor case, Bolt-on, EP, Hopper inlet			1	1
	52	<a href="#">JX3007-222F</a>	Screw - Rotor Case		HP52	4
<a href="#">JX3007-227F</a>		Screw - Rotor Case		HP54	4	4
56	<a href="#">J54522-0008B</a>	Rotor kit, HE, std. machined, Scimitar		HP52	1	1
	<a href="#">J54522-0000B</a>	Rotor kit, HE, std. machined, Tri Lobe			1	1
	<a href="#">J54522-0098B</a>	Rotor kit, HE, EP, Scimitar			1	1
	<a href="#">J54522-0090B</a>	Rotor kit, HE, EP, Tri Lobe			1	1
	<a href="#">J54522-0009B</a>	Rotor kit, HP, std. machined, Scimitar			1	1
	<a href="#">J54522-0004B</a>	Rotor kit, HP, std. machined, Tri Lobe			1	1
	<a href="#">J54522-0099B</a>	Rotor kit, HP, EP, Scimitar			1	1
	<a href="#">J54522-0094B</a>	Rotor kit, HP, EP, Tri Lobe			1	1
	<a href="#">J54542-0009B</a>	Rotor kit, HP, std. machined, Scimitar		HP54	1	1
	<a href="#">J54542-0004B</a>	Rotor kit, HP, std. machined, Tri Lobe			1	1
	<a href="#">J54542-0099B</a>	Rotor kit, HP, EP, Scimitar			1	1
	<a href="#">J54542-0094B</a>	Rotor kit, HP, EP, Tri Lobe			1	1
	58	<a href="#">J92000-1425</a>	O-Ring - Rotor Retainer	Nitrile	HP5	1
<a href="#">J92000-6908</a>		O-Ring - Rotor Retainer	EPDM		1	2
<a href="#">J92000-1447</a>		O-Ring - Rotor Retainer	Viton		1	2
<a href="#">J92000-1448</a>		O-Ring - Rotor Retainer	PTFE		1	2
59	<a href="#">J54525-0000</a>	Rotor Retaining Screw, std. machined			1	2
	<a href="#">J54525-0090</a>	Rotor Retaining Screw, EP			1	2
60	<a href="#">J54530-0000</a>	Shaft Guard			1	2
61	<a href="#">J54529-0000</a>	Shaft Guard Stud			1	1
62	<a href="#">JX3070-061F</a>	Shaft Guard Nut			2	2
120	<a href="#">J92000-1424</a>	O-Ring - End Cover	Nitrile		1	1
	<a href="#">J92000-1433</a>	O-Ring - End Cover	EPDM		1	1
	<a href="#">J92000-1432</a>	O-Ring - End Cover	Viton		1	1
	<a href="#">J92000-6018</a>	O-Ring - End Cover	PTFE		1	1
122	<a href="#">J54509-0000</a>	End Cover - O-Ring Joint, std. machined			1	1
	<a href="#">J54509-0090</a>	End Cover - O-Ring Joint, EP			1	1
123	<a href="#">JX3001-211F</a>	Bolt - End Cover			4	4

## PUMP SERIES HP 5

Wet end: Port

Item	Part nr.	Description	Material	Used	Quantity per	
					assembly	pump
53	<a href="#">J54058-0150B</a>	Port Joint Ring Kit (2 seals)	Nitrile	HP52	1	1
	<a href="#">J24058-0157B</a>	Port Joint Ring Kit (2 seals)	EPDM		1	1
	<a href="#">J54058-0154B</a>	Port Joint Ring Kit (2 seals)	Viton		1	1
	<a href="#">J24058-0152B</a>	Port Joint Ring Kit (2 seals)	PTFE		1	1
	<a href="#">J54058-0200B</a>	Port Joint Ring Kit (2 seals)	Nitrile	HP54	1	1
	<a href="#">J24058-0207B</a>	Port Joint Ring Kit (2 seals)	EPDM		1	1
	<a href="#">J54058-0204B</a>	Port Joint Ring Kit (2 seals)	Viton		1	1
	<a href="#">J24058-0202B</a>	Port Joint Ring Kit (2 seals)	PTFE		1	1
54	<a href="#">J24055-1150B</a>	Tri - Clamp (BS4825 part 3) - Standard, std. machined		HP52	1	1
	<a href="#">J24055-1159B</a>	Tri - Clamp (BS4825 part 3) - Standard, EP			1	1
	<a href="#">J24255-1200B</a>	Tri - Clamp (BS4825 part 3) - Enlarged, std. machined			1	1
	<a href="#">J24255-1209B</a>	Tri - Clamp (BS4825 part 3) - Enlarged, EP			1	1
	<a href="#">J24055-2150B</a>	BSP (BS2779) - Standard, std. machined			1	1
	<a href="#">J24055-2159B</a>	BSP (BS2779) - Standard, EP			1	1
	<a href="#">J24255-2200B</a>	BSP (BS2779) - Enlarged, std. machined			1	1
	<a href="#">J24255-2209B</a>	BSP (BS2779) - Enlarged, EP			1	1
	<a href="#">J24055-3150B</a>	IDF (ISO 2853) - Standard, std. machined			1	1
	<a href="#">J24055-3159B</a>	IDF (ISO 2853) - Standard, EP			1	1
	<a href="#">J24255-3200B</a>	IDF (ISO 2853) - Enlarged, std. machined			1	1
	<a href="#">J24255-3209B</a>	IDF (ISO 2853) - Enlarged, EP			1	1
	<a href="#">J24055-4150B</a>	RJT (BS1864) - Standard, std. machined			1	1
	<a href="#">J24055-4159B</a>	RJT (BS1864) - Standard, EP			1	1
	<a href="#">J24255-4200B</a>	RJT (BS1864) - Enlarged, std. machined			1	1
	<a href="#">J24255-4209B</a>	RJT (BS1864) - Enlarged, EP			1	1
	<a href="#">J24055-5150B</a>	3A ACME (BS3581) - Standard, std. machined			1	1
	<a href="#">J24055-5159B</a>	3A ACME (BS3581) - Standard, EP			1	1
	<a href="#">J24255-5200B</a>	3A ACME (BS3581) - Enlarged, std. machined			1	1
	<a href="#">J24255-5209B</a>	3A ACME (BS3581) - Enlarged, EP			1	1
	<a href="#">J24055-6150B</a>	DIN 11851 - Standard, std. machined			1	1
	<a href="#">J24055-6159B</a>	DIN 11851 - Standard, EP			1	1
	<a href="#">J24255-6200B</a>	DIN 11851 - Enlarged, std. machined			1	1
	<a href="#">J24255-6209B</a>	DIN 11851 - Enlarged, EP			1	1
	<a href="#">J24055-7150B</a>	SMS 1146 - Standard, std. machined			1	1
	<a href="#">J24055-7159B</a>	SMS 1146 - Standard, EP			1	1
	<a href="#">J24255-7200B</a>	SMS 1146 - Enlarged, std. machined			1	1
	<a href="#">J24255-7209B</a>	SMS 1146 - Enlarged, EP			1	1
	<a href="#">J24055-9150B</a>	NPT - Standard, std. machined			1	1
	<a href="#">J24055-9159B</a>	NPT - Standard, EP			1	1
	<a href="#">J24255-9200B</a>	NPT - Enlarged, std. machined			1	1
	<a href="#">J24255-9209B</a>	NPT - Enlarged, EP			1	1

## PUMP SERIES HP 5

Wet end: Port

Item	Part nr.	Description	Material	Used	Quantity per	
					assembly	pump
54	<a href="#">J24055-1200B</a>	Tri - Clamp (BS4825 part 3) - Standard, std. machined		HP54	1	1
	<a href="#">J24055-1209B</a>	Tri - Clamp (BS4825 part 3) - Standard, EP			1	1
	<a href="#">J24255-1300B</a>	Tri - Clamp (BS4825 part 3) - Enlarged, std. machined			1	1
	<a href="#">J24255-1309B</a>	Tri - Clamp (BS4825 part 3) - Enlarged, EP			1	1
	<a href="#">J24055-2200B</a>	BSP (BS2779) - Standard, std. machined			1	1
	<a href="#">J24055-2209B</a>	BSP (BS2779) - Standard, EP			1	1
	<a href="#">J24255-2300B</a>	BSP (BS2779) - Enlarged, std. machined			1	1
	<a href="#">J24255-2309B</a>	BSP (BS2779) - Enlarged, EP			1	1
	<a href="#">J24055-3200B</a>	IDF (ISO 2853) - Standard, std. machined			1	1
	<a href="#">J24055-3209B</a>	IDF (ISO 2853) - Standard, EP			1	1
	<a href="#">J24255-3300B</a>	IDF (ISO 2853) - Enlarged, std. machined			1	1
	<a href="#">J24255-3309B</a>	IDF (ISO 2853) - Enlarged, EP			1	1
	<a href="#">J24055-4200B</a>	RJT (BS1864) - Standard, std. machined			1	1
	<a href="#">J24055-4209B</a>	RJT (BS1864) - Standard, EP			1	1
	<a href="#">J24255-4300B</a>	RJT (BS1864) - Enlarged, std. machined			1	1
	<a href="#">J24255-4309B</a>	RJT (BS1864) - Enlarged, EP			1	1
	<a href="#">J24055-5200B</a>	3A ACME (BS3581) - Standard, std. machined			1	1
	<a href="#">J24055-5209B</a>	3A ACME (BS3581) - Standard, EP			1	1
	<a href="#">J24255-5300B</a>	3A ACME (BS3581) - Enlarged, std. machined			1	1
	<a href="#">J24255-5309B</a>	3A ACME (BS3581) - Enlarged, EP			1	1
	<a href="#">J24055-6200B</a>	DIN 11851 - Standard, std. machined			1	1
	<a href="#">J24055-6209B</a>	DIN 11851 - Standard, EP			1	1
	<a href="#">J24255-6300B</a>	DIN 11851 - Enlarged, std. machined			1	1
	<a href="#">J24255-6309B</a>	DIN 11851 - Enlarged, EP			1	1
	<a href="#">J24055-7200B</a>	SMS 1146 - Standard, std. machined			1	1
	<a href="#">J24055-7209B</a>	SMS 1146 - Standard, EP			1	1
	<a href="#">J24255-7300B</a>	SMS 1146 - Enlarged, std. machined			1	1
	<a href="#">J24255-7309B</a>	SMS 1146 - Enlarged, EP			1	1
	<a href="#">J24055-9200B</a>	NPT - Standard, std. machined			1	1
	<a href="#">J24055-9209B</a>	NPT - Standard, EP			1	1
	<a href="#">J24255-9300B</a>	NPT - Enlarged, std. machined			1	1
	<a href="#">J24255-9309B</a>	NPT - Enlarged, EP			1	1
55	<a href="#">JX3001-207F</a>	Screw - Bolt on Port Retainers		HP5	4	8

## PUMP SERIES HP 5

Single mechanical seal

Item	Part nr.	Description	Material	Used	Quantity per	
					assembly	pump
80	<a href="#">J96080-0594</a>	Primary Seal Face Kit (Includes both faces)	C/SS	HP5	1	2
	<a href="#">J96080-0583</a>	Primary Seal Face Kit (Includes both faces)	C/SiC		1	2
	<a href="#">J96080-0584</a>	Primary Seal Face Kit (Includes both faces)	SiC/SiC		1	2



## PUMP SERIES HP 5

Single mechanical seal

Item	Part nr.	Description	Material	Used	Quantity per	
					assembly	pump
81	<a href="#">JX5240-003</a>	Drive Plate - Mechanical Seal			1	2
82	<a href="#">JX5250-016</a>	Wave Spring - Mechanical Seal			1	2
83	<a href="#">J96080-0613</a>	Single Seal Trim Kit	Nitrile		1	2
	<a href="#">J96080-0586</a>	Single Seal Trim Kit	EPDM		1	2
	<a href="#">J96080-0587</a>	Single Seal Trim Kit	Viton		1	2
	<a href="#">83A, 83B, 83C</a>	Single Seal Trim Kit	PTFE		1	2
83a	<a href="#">J54020-0005</a>	Washer under Seal Rotary Face (fitted to rotor)	Viton		1	2
83b	<a href="#">J54511-0000</a>	Sleeve (fitted to rotor)	PTFE		1	2
83c	<a href="#">J92000-6017</a>	Encapsulated O-Ring	PTFE encap		1	2
84	<a href="#">J56011-0000</a>	Clamp Plate - Seal Housing			2	4
85	<a href="#">JX3001-209F</a>	Screw - Seal Housing			2	4
86	<a href="#">J96080-0588</a>	Seal Housing Kit (Includes wave spring + Drive plate)			1	2
Kit	<a href="#">J54584-9150B</a>	Pump Head Trim Kit	Nitrile	HP52	1	1
	<a href="#">J54584-9157B</a>	Pump Head Trim Kit	EPDM		1	1
	<a href="#">J54584-9154B</a>	Pump Head Trim Kit	Viton		1	1
	<a href="#">J54584-9152B</a>	Pump Head Trim Kit	PTFE		1	1
	<a href="#">J54584-9200B</a>	Pump Head Trim Kit	Nitrile	HP54	1	1
	<a href="#">J54584-9207B</a>	Pump Head Trim Kit	EPDM		1	1
	<a href="#">J54584-9204B</a>	Pump Head Trim Kit	Viton		1	1
	<a href="#">J54584-9202B</a>	Pump Head Trim Kit	PTFE		1	1
Kit	<a href="#">J54599-0001</a>	Seal Service Kit, C/SS	Nitrile	HP52	1	1
	<a href="#">J54599-0003</a>	Seal Service Kit, C/SS	EPDM		1	1
	<a href="#">J54599-0005</a>	Seal Service Kit, C/SS	Viton		1	1
	<a href="#">J54599-0007</a>	Seal Service Kit, C/SS	PTFE		1	1
	<a href="#">J54599-0009</a>	Seal Service Kit, C/SiC	Nitrile		1	1
	<a href="#">J54599-0011</a>	Seal Service Kit, C/SiC	EPDM		1	1
	<a href="#">J54599-0013</a>	Seal Service Kit, C/SiC	Viton		1	1
	<a href="#">J54599-0015</a>	Seal Service Kit, C/SiC	PTFE		1	1
	<a href="#">J54599-0017</a>	Seal Service Kit, SiC/SiC	Nitrile		1	1
	<a href="#">J54599-0019</a>	Seal Service Kit, SiC/SiC	EPDM		1	1
	<a href="#">J54599-0021</a>	Seal Service Kit, SiC/SiC	Viton		1	1
	<a href="#">J54599-0023</a>	Seal Service Kit, SiC/SiC	PTFE		1	1
	<a href="#">J54599-0002</a>	Seal Service Kit, C/SS	Nitrile	HP54	1	1
	<a href="#">J54599-0004</a>	Seal Service Kit, C/SS	EPDM		1	1
	<a href="#">J54599-0006</a>	Seal Service Kit, C/SS	Viton		1	1
	<a href="#">J54599-0008</a>	Seal Service Kit, C/SS	PTFE		1	1
	<a href="#">J54599-0010</a>	Seal Service Kit, C/SiC	Nitrile		1	1
	<a href="#">J54599-0012</a>	Seal Service Kit, C/SiC	EPDM		1	1
	<a href="#">J54599-0014</a>	Seal Service Kit, C/SiC	Viton		1	1
	<a href="#">J54599-0016</a>	Seal Service Kit, C/SiC	PTFE		1	1
	<a href="#">J54599-0018</a>	Seal Service Kit, SiC/SiC	Nitrile		1	1
	<a href="#">J54599-0020</a>	Seal Service Kit, SiC/SiC	EPDM		1	1
	<a href="#">J54599-0022</a>	Seal Service Kit, SiC/SiC	Viton		1	1
	<a href="#">J54599-0024</a>	Seal Service Kit, SiC/SiC	PTFE		1	1

## PUMP SERIES HP 5

Flush for single mechanical seal

Item	Part nr.	Description	Material	Used	Quantity per	
					assembly	pump
89	<b>J96080-0590</b>	Seal Housing Kit		HP5	1	2
89a		Washer (part of Seal Housing Kit)			1	2
90	<b>J92701-1023</b>	Lip Seal - Seal Housing	Nitrile		1	2
91	<b>J92000-1453</b>	O-Ring - Seal Housing	Nitrile		1	2
Kit	<b>J54599-0025</b>	Flushed Seal Conversion Kit	Nitrile		1	1

## PUMP SERIES HP 5

Double mechanical seal

Item	Part nr.	Description	Material	Used	Quantity per	
					assembly	pump
92	<b>J96080-0585</b>	Secondary Seal Face Kit	C/SiC	HP5	1	2
92a		Rubber Washer (part of Secondary Seal Face Kit)	EPDM		1	2
92b		Drive Ring (part of Secondary Seal Face Kit)			1	2
93	<b>J96080-0614</b>	Secondary Seal Trim Kit	Nitrile		1	2
	<b>J96080-0592</b>	Secondary Seal Trim Kit	EPDM		1	2
	<b>J96080-0593</b>	Secondary Seal Trim Kit	Viton		1	2
94	<b>JX5240-003</b>	Drive Plate - Mechanical Seal Secondary			1	2
95	<b>J96080-0589</b>	Seal Housing Kit			1	2
Kit	<b>J54599-0030</b>	Double Mechanical Seal Conversion Kit			1	1

## PUMP SERIES HP 5

Single O-ring seal

Item	Part nr.	Description	Material	Used	Quantity per	
					assembly	pump
96	<b>J54553-0000</b>	Seal Sleeve		HP5	1	2
97	<b>J54552-0000</b>	Seal Housing			1	2
98	<b>J54554-0000</b>	Retaining Nut			1	2
99	<b>J92000-6032</b>	O-Ring - Rotor	Nitrile		1	2
100	<b>J92000-6052</b>	O-Ring - Primary Seal	Viton		1	2
101	<b>J92000-6043</b>	O-Ring - Seal Housing	Nitrile		1	2
Kit	<b>J54551-0000</b>	Single O-Ring Seal Kit			1	1

## PUMP SERIES HP 5

Double O-ring seal

Item	Part nr.	Description	Material	Used	Quantity per	
					assembly	pump
99	<a href="#">J92000-6032</a>	O-Ring - Rotor	Nitrile	HP5	1	2
100	<a href="#">J92000-6052</a>	O-Ring - Primary Seal	Viton		2	4
102	<a href="#">J54537-0000</a>	Seal Sleeve			1	2
103	<a href="#">J54538-0000</a>	Seal Housing			1	2
104	<a href="#">J92000-6036</a>	O-Ring Housing	Nitrile		2	4
105	<a href="#">J92000-6012</a>	O-Ring Flush Housing			1	2
107	<a href="#">JX3001-211F</a>	Bolt Flush Housing			2	4
108	<a href="#">J54539-0000</a>	Washer			2	4
Kit	<a href="#">J54536-0001</a>	Double O-Ring Seal Kit	Nitrile		1	1
	<a href="#">J54536-0002</a>	Double O-Ring Seal Kit	Viton		1	1

## PUMP SERIES HP 5

Packed gland seal

Item	Part nr.	Description	Material	Used	Quantity per	
					assembly	pump
110	<a href="#">J54523-0009</a>	Rotor Case - Flushed		HP52	1	1
	<a href="#">J54543-0009</a>	Rotor Case - Flushed		HP54	1	1
111	<a href="#">J92000-6032</a>	O-Ring - Sleeve	Nitrile	HP5	1	2
	<a href="#">J92000-6070</a>	O-Ring - Sleeve	Viton		1	2
112	<a href="#">J96080-6647</a>	Packing set (3 rings)			1	2
113	<a href="#">J96080-6646</a>	Sleeve			1	2
114	<a href="#">J96080-6648</a>	Gland Follower			1	2
115	<a href="#">JX3070-101F</a>	Gland Nut			2	4
116	<a href="#">J24034-0002</a>	Gland Stud			2	4
Kit	<a href="#">J96080-6645</a>	Packed Gland Seal Kit			1	1

## PUMP SERIES HP 5

Pressure relief valve

Item	Part nr.	Description	Material	Used	Quantity per	
					assembly	pump
125	<a href="#">J54509-0001</a>	End Cover		HP5	1	1
126	<a href="#">JX4020-389X</a>	O-Ring - Relief Valve	Nitrile		1	1
	<a href="#">JX4020-389E</a>	O-Ring - Relief Valve	PTFE		1	1
	<a href="#">JX4020-389Y</a>	O-Ring - Relief Valve	Viton		1	1
128	<a href="#">J24172-0001</a>	Seat - Relief valve			1	1
129	<a href="#">J54073-0021</a>	Diaphragm - Relief Valve	Nitrile		1	1
	<a href="#">J24073-0011</a>	Diaphragm - Relief Valve	PTFE		1	1
131	<a href="#">J24174-0000</a>	Plunger			1	1
132	<a href="#">J24175-0000</a>	Spring - Relief Valve			1	1

## PUMP SERIES HP 5

Pressure relief valve

Item	Part nr.	Description	Material	Used	Quantity per	
					assembly	pump
133	<b>J24176-0000</b>	Housing			1	1
134	<b>J24177-0000</b>	Valve Guide			1	1
135	<b>J24178-0000</b>	Adjusting Screw			1	1
136	<b>JX3001-215F</b>	Bolt - Relief Valve			2	2
Kit	<b>J54581-0001B</b>	Relief Valve Kit (includes components above)	Nitrile		1	1
	<b>J54581-0002B</b>	Relief Valve Kit (includes components above)	PTFE		1	1

## PUMP SERIES HP 5

Thermal jacket

Item	Part nr.	Description	Material	Used	Quantity per	
					assembly	pump
138	<b>J54509-0003</b>	End Cover		HP5	1	1
139	<b>J54501-0001</b>	Jacket			2	2
140	<b>JX4020-369B</b>	O-Ring			2	2
141	<b>JX3001-213F</b>	Screws			4	4
Kit	<b>J54580-0003B</b>	Pump Head Jacket Kit (Includes components above)			1	1
143	<b>J54509-0004</b>	End Cover			1	1
144	<b>J24636-0000</b>	Jacket			1	1
145	<b>JX4020-389B</b>	O-Ring - Outer			1	1
146	<b>J</b>	O-Ring - Inner			1	1
147	<b>JX3001-209F</b>	Screws			1	1
Kit	<b>J54580-0004B</b>	End Cover Jacket Kit (Includes components above)			1	1
	<b>J54580-0009B</b>	Relief Valve with Thermal Jacket - End Cover			1	1

## PUMP SERIES HP 5

Tool

Item	Part nr.	Description	Material	Used	Quantity per	
					assembly	pump
180	<b>J55027-0004</b>	Tool - Rotor Locking Pad		HP5	1	1
181	<b>J54576-0000</b>	Socket Tool - Rotor Retainer			1	1
182	<b>J54677-0000</b>	Tool - Seal Seat Removal			1	1

## PUMP SERIES HP 6

### Gearbox assembly

Item	Part nr.	Description	Material	Used	Quantity per	
					assembly	pump
1	<b>J54605-0500</b>	Bearing Carrier Housing	Aluminium	HP6	1	1
	<b>J56603-0500</b>	Bearing Carrier Housing	SS		1	1
2	<b>JSP7040-0011</b>	Eye Bolt			1	1
3	<b>JX5268-002</b>	Washer - Eye Bolt			1	1
4	<b>J92601-0473</b>	Bearing - Rear			1	2
5	<b>JSP2601-0502</b>	Bearing - Front			1	2
6	<b>J55608-0001</b>	Timing Gear Set (2 gears per set)			1	1
7	<b>J98022-2351</b>	Tab Washer, Gear Nut			1	2
8	<b>J98022-2350</b>	Gear Nut			1	2
9	<b>J55607-0001</b>	Gasket Gear Cover			1	1
10	<b>JSP3100-0225</b>	Roll Pin - Bearing Carrier Housing			1	1
11	<b>J54606-0000</b>	Gear Cover	Aluminium		1	1
	<b>J56606-0000</b>	Gear Cover	SS		1	1
12	<b>J24020-0002</b>	Plug, Oil Filler/Breather			1	1
13	<b>JSP8022-2248</b>	Oil Level Window			1	1
14	<b>JSP2650-0220</b>	Drain Plug			1	1
16	<b>J23005-2464</b>	Label, Nameplate			1	1
18	<b>JX3001-227F</b>	Screw, Gear Cover			2	2
19	<b>JSP1613-1390</b>	Washer, Gear Cover. Nylite			2	2
20	<b>JSP2701-0904</b>	Lip Seal Rear, Gear Cover			1	1
21	<b>JX3007-218F</b>	Screw, Foot, Horizontal			2	2
	<b>JX3001-211F</b>	Screw, Foot, Vertical			2	2
22	<b>J54618-0500</b>	Foot, Horizontal			2	2
	<b>J54619-0500</b>	Foot, Vertical			2	2
23	<b>J92701-1026</b>	Lip Seal Front, Bearing Carrier Housing	Silicone		1	2
24	<b>J54627-0000</b>	Shaft, Driving		HP62	1	1
	<b>J54647-0000</b>	Shaft, Driving		HP64	1	1
25	<b>J54628-0000</b>	Shaft, Driven		HP62	1	1
	<b>J54648-0000</b>	Shaft, Driven		HP64	1	1
28	<b>JX4000-544A</b>	Key, Timing Gear Drive		HP6	1	2
29	<b>JX4000-549A</b>	Key, Drive Shaft			1	1
30	<b>J54686-0000B</b>	Shim Kit, Rotor, Scimitar & Tri lobe			1	1
30a	<b>J54686-0001B</b>	Shim Kit, Gear, Tri-lobe			1	1
31	<b>JX1990-96</b>	O-Ring - Shim Retention	Nitrile		1	2
32	<b>JSP3100-0227</b>	Dowel Pin			2	2
33	<b>JSP2650-0224</b>	Plug, Dowel Hole			2	2
34	<b>JSP2650-0223</b>	Plug, Screw Hole			4	4
kit	<b>J54618-0500B</b>	Foot kit, Horizontal			1	1
	<b>J54619-0500B</b>	Foot kit, Vertical			1	1
	<b>J54685-0000B</b>	Gearbox service kit			1	1

## PUMP SERIES HP 6

Wet end: Bolt-on rotor Case for all mechanical seal

Item	Part nr.	Description	Material	Used	Quantity per	
					assembly	pump
51	<a href="#">J54623-0000</a>	Rotor case, Bolt-on, std. machined		HP62	1	1
	<a href="#">J54623-0090</a>	Rotor case, Bolt-on, EP			1	1
	<a href="#">J54623-0001</a>	Rotor case, Bolt-on, std. machined, Hopper inlet			1	1
	<a href="#">J54623-0091</a>	Rotor case, Bolt-on, EP, Hopper inlet			1	1
	<a href="#">J54643-0000</a>	Rotor case, Bolt-on, std. machined		HP64	1	1
	<a href="#">J54643-0090</a>	Rotor case, Bolt-on, EP			1	1
	<a href="#">J54643-0001</a>	Rotor case, Bolt-on, std. machined, Hopper inlet			1	1
	<a href="#">J54643-0091</a>	Rotor case, Bolt-on, EP, Hopper inlet			1	1
	52	<a href="#">JX3007-256F</a>	Screw - Rotor Case		HP62	4
<a href="#">JX3007-260F</a>		Screw - Rotor Case		HP64	4	4
56	<a href="#">J54622-0008B</a>	Rotor kit, HE, std. machined, Scimitar		HP62	1	1
	<a href="#">J54622-0000B</a>	Rotor kit, HE, std. machined, Tri Lobe			1	1
	<a href="#">J54622-0098B</a>	Rotor kit, HE, EP, Scimitar			1	1
	<a href="#">J54622-0090B</a>	Rotor kit, HE, EP, Tri Lobe			1	1
	<a href="#">J54622-0009B</a>	Rotor kit, HP, std. machined, Scimitar			1	1
	<a href="#">J54622-0004B</a>	Rotor kit, HP, std. machined, Tri Lobe			1	1
	<a href="#">J54622-0099B</a>	Rotor kit, HP, EP, Scimitar			1	1
	<a href="#">J54622-0094B</a>	Rotor kit, HP, EP, Tri Lobe			1	1
	<a href="#">J54642-0009B</a>	Rotor kit, HP, std. machined, Scimitar		HP64	1	1
	<a href="#">J54642-0004B</a>	Rotor kit, HP, std. machined, Tri Lobe			1	1
	<a href="#">J54642-0099B</a>	Rotor kit, HP, EP, Scimitar			1	1
	<a href="#">J54642-0094B</a>	Rotor kit, HP, EP, Tri Lobe			1	1
	58	<a href="#">J92000-1431</a>	O-Ring - Rotor Retainer	Nitrile	HP6	1
<a href="#">J92000-6909</a>		O-Ring - Rotor Retainer	EPDM		1	2
<a href="#">J92000-1445</a>		O-Ring - Rotor Retainer	Viton		1	2
<a href="#">JX1990-110</a>		O-Ring - Rotor Retainer	PTFE		1	2
59	<a href="#">J54626-0000</a>	Rotor Retaining Screw, std. machined			1	2
	<a href="#">J54626-0090</a>	Rotor Retaining Screw, EP			1	2
60	<a href="#">J24068-0002</a>	Shaft Guard			2	2
61	<a href="#">J24069-0003</a>	Shaft Guard Stud			1	1
62	<a href="#">JX3070-061F</a>	Shaft Guard Nut			2	2
120	<a href="#">J92000-1443</a>	O-Ring - End Cover	Nitrile		1	1
	<a href="#">J92000-6437</a>	O-Ring - End Cover	EPDM		1	1
	<a href="#">J92000-1436</a>	O-Ring - End Cover	Viton		1	1
	<a href="#">J92000-6028</a>	O-Ring - End Cover	PTFE		1	1
122	<a href="#">J54609-0000</a>	End Cover - O-Ring Joint, std. machined			1	1
	<a href="#">J54609-0090</a>	End Cover - O-Ring Joint, EP			1	1
123	<a href="#">JX3001-244F</a>	Bolt - End Cover			4	4



## PUMP SERIES HP 6

Wet end: Port

Item	Part nr.	Description	Material	Used	Quantity per	
					assembly	pump
53	<a href="#">J54058-0250B</a>	Port Joint Ring Kit (2 seals)	Nitrile	HP62	1	1
	<a href="#">J54058-0257B</a>	Port Joint Ring Kit (2 seals)	EPDM		1	1
	<a href="#">J54058-0254B</a>	Port Joint Ring Kit (2 seals)	Viton		1	1
	<a href="#">J54058-0252B</a>	Port Joint Ring Kit (2 seals)	PTFE		1	1
	<a href="#">J54058-0300B</a>	Port Joint Ring Kit (2 seals)	Nitrile	HP64	1	1
	<a href="#">J24058-0307B</a>	Port Joint Ring Kit (2 seals)	EPDM		1	1
	<a href="#">J54058-0304B</a>	Port Joint Ring Kit (2 seals)	Viton		1	1
	<a href="#">J24058-0302B</a>	Port Joint Ring Kit (2 seals)	PTFE		1	1
54	<a href="#">J54056-1250B</a>	Tri - Clamp (BS4825 part 3) - Standard, std. machined		HP62	1	1
	<a href="#">J54056-1259B</a>	Tri - Clamp (BS4825 part 3) - Standard, EP			1	1
	<a href="#">J54256-1300B</a>	Tri - Clamp (BS4825 part 3) - Enlarged, std. machined			1	1
	<a href="#">J54256-1309B</a>	Tri - Clamp (BS4825 part 3) - Enlarged, EP			1	1
	<a href="#">J54156-1200B</a>	Tri - Clamp (BS4825 part 3) - Reduced, std. machined			1	1
	<a href="#">J54156-1209B</a>	Tri - Clamp (BS4825 part 3) - Reduced, EP			1	1
	<a href="#">J54056-2250B</a>	BSP (BS2779) - Standard, std. machined			1	1
	<a href="#">J54056-2259B</a>	BSP (BS2779) - Standard, EP			1	1
	<a href="#">J54256-2300B</a>	BSP (BS2779) - Enlarged, std. machined			1	1
	<a href="#">J54256-2309B</a>	BSP (BS2779) - Enlarged, EP			1	1
	<a href="#">J54156-2200B</a>	BSP (BS2779) - Reduced, std. machined			1	1
	<a href="#">J54156-2209B</a>	BSP (BS2779) - Reduced, EP			1	1
	<a href="#">J54056-3250B</a>	IDF (ISO 2853) - Standard, std. machined			1	1
	<a href="#">J54056-3259B</a>	IDF (ISO 2853) - Standard, EP			1	1
	<a href="#">J54256-3300B</a>	IDF (ISO 2853) - Enlarged, std. machined			1	1
	<a href="#">J54256-3309B</a>	IDF (ISO 2853) - Enlarged, EP			1	1
	<a href="#">J54156-3200B</a>	IDF (ISO 2853) - Reduced, std. machined			1	1
	<a href="#">J54156-3209B</a>	IDF (ISO 2853) - Reduced, EP			1	1
	<a href="#">J54056-4250B</a>	RJT (BS1864) - Standard, std. machined			1	1
	<a href="#">J54056-4259B</a>	RJT (BS1864) - Standard, EP			1	1
	<a href="#">J54256-4300B</a>	RJT (BS1864) - Enlarged, std. machined			1	1
	<a href="#">J54256-4309B</a>	RJT (BS1864) - Enlarged, EP			1	1
	<a href="#">J54156-4200B</a>	RJT (BS1864) - Reduced, std. machined			1	1
	<a href="#">J54156-4209B</a>	RJT (BS1864) - Reduced, EP			1	1
	<a href="#">J54056-5250B</a>	3A ACME (BS3581) - Standard, std. machined			1	1
	<a href="#">J54056-5259B</a>	3A ACME (BS3581) - Standard, EP			1	1
	<a href="#">J54256-5300B</a>	3A ACME (BS3581) - Enlarged, std. machined			1	1
	<a href="#">J54256-5309B</a>	3A ACME (BS3581) - Enlarged, EP			1	1
	<a href="#">J54156-5200B</a>	3A ACME (BS3581) - Reduced, std. machined			1	1
	<a href="#">J54156-5209B</a>	3A ACME (BS3581) - Reduced, EP			1	1
	<a href="#">J54056-6250B</a>	DIN 11851 - Standard, std. machined			1	1
	<a href="#">J54056-6259B</a>	DIN 11851 - Standard, EP			1	1
<a href="#">J54256-6300B</a>	DIN 11851 - Enlarged, std. machined			1	1	
<a href="#">J54256-6309B</a>	DIN 11851 - Enlarged, EP			1	1	
<a href="#">J54156-6200B</a>	DIN 11851 - Reduced, std. machined			1	1	
<a href="#">J54156-6209B</a>	DIN 11851 - Reduced, EP			1	1	

## PUMP SERIES HP 6

Wet end: Port

Item	Part nr.	Description	Material	Used	Quantity per		
					assembly	pump	
54	<a href="#">J54056-7250B</a>	SMS 1146 - Standard, std. machined		HP62	1	1	
	<a href="#">J54056-7259B</a>	SMS 1146 - Standard, EP			1	1	
	<a href="#">J54056-7259B</a>	SMS 1146 - Enlarged, std. machined			1	1	
	<a href="#">J54256-7300B</a>	SMS 1146 - Enlarged, EP			1	1	
	<a href="#">J54156-7200B</a>	SMS 1146 - Reduced, std. machined			1	1	
	<a href="#">J54156-7209B</a>	SMS 1146 - Reduced, EP			1	1	
	<a href="#">J54056-9250B</a>	NPT - Standard, std. machined			1	1	
	<a href="#">J54056-9259B</a>	NPT - Standard, EP			1	1	
	<a href="#">J54256-9300B</a>	NPT - Enlarged, std. machined			1	1	
	<a href="#">J54256-9309B</a>	NPT - Enlarged, EP			1	1	
	<a href="#">J54156-9200B</a>	NPT - Reduced, std. machined			1	1	
	<a href="#">J54156-9209B</a>	NPT - Reduced, EP			1	1	
	<a href="#">J24055-1300B</a>	Tri - Clamp (BS4825 part 3) - Standard, std. machined		HP64		1	1
	<a href="#">J24055-1309B</a>	Tri - Clamp (BS4825 part 3) - Standard, EP				1	1
	<a href="#">J24255-1400B</a>	Tri - Clamp (BS4825 part 3) - Enlarged, std. machined				1	1
	<a href="#">J24255-1409B</a>	Tri - Clamp (BS4825 part 3) - Enlarged, EP				1	1
	<a href="#">J24055-2300B</a>	BSP (BS2779) - Standard, std. machined				1	1
	<a href="#">J24055-2309B</a>	BSP (BS2779) - Standard, EP				1	1
	<a href="#">J24255-2400B</a>	BSP (BS2779) - Enlarged, std. machined				1	1
	<a href="#">J24255-2409B</a>	BSP (BS2779) - Enlarged, EP				1	1
	<a href="#">J24055-3300B</a>	IDF (ISO 2853) - Standard, std. machined				1	1
	<a href="#">J24055-3309B</a>	IDF (ISO 2853) - Standard, EP				1	1
	<a href="#">J24255-3400B</a>	IDF (ISO 2853) - Enlarged, std. machined				1	1
	<a href="#">J24255-3409B</a>	IDF (ISO 2853) - Enlarged, EP				1	1
	<a href="#">J24055-4300B</a>	RJT (BS1864) - Standard, std. machined				1	1
	<a href="#">J24055-4309B</a>	RJT (BS1864) - Standard, EP				1	1
	<a href="#">J24255-4400B</a>	RJT (BS1864) - Enlarged, std. machined				1	1
	<a href="#">J24255-4409B</a>	RJT (BS1864) - Enlarged, EP				1	1
	<a href="#">J24055-5300B</a>	3A ACME (BS3581) - Standard, std. machined				1	1
	<a href="#">J24055-5309B</a>	3A ACME (BS3581) - Standard, EP				1	1
	<a href="#">J24255-5400B</a>	3A ACME (BS3581) - Enlarged, std. machined				1	1
	<a href="#">J24255-5409B</a>	3A ACME (BS3581) - Enlarged, EP				1	1
	<a href="#">J24055-6300B</a>	DIN 11851 - Standard, std. machined				1	1
	<a href="#">J24055-6309B</a>	DIN 11851 - Standard, EP				1	1
	<a href="#">J24255-6400B</a>	DIN 11851 - Enlarged, std. machined				1	1
	<a href="#">J24255-6409B</a>	DIN 11851 - Enlarged, EP				1	1
	<a href="#">J24055-7300B</a>	SMS 1146 - Standard, std. machined				1	1
	<a href="#">J24055-7309B</a>	SMS 1146 - Standard, EP				1	1
	<a href="#">J24255-7400B</a>	SMS 1146 - Enlarged, std. machined				1	1
	<a href="#">J24255-7409B</a>	SMS 1146 - Enlarged, EP				1	1
<a href="#">J24055-9300B</a>	NPT - Standard, std. machined				1	1	
<a href="#">J24055-9309B</a>	NPT - Standard, EP				1	1	
<a href="#">J24255-9400B</a>	NPT - Enlarged, std. machined				1	1	
<a href="#">J24255-9409B</a>	NPT - Enlarged, EP				1	1	
55	<a href="#">JX3001-244F</a>	Screw - Bolt on Port Retainers		HP6	4	8	

## PUMP SERIES HP 6

Single mechanical seal

Item	Part nr.	Description	Material	Used	Quantity per	
					assembly	pump
80	<a href="#">J96080-0608</a>	Primary Seal Face Kit (Includes both faces)	C/SS	HP6	1	2
	<a href="#">J96080-0570</a>	Primary Seal Face Kit (Includes both faces)	C/SiC		1	2
	<a href="#">J96080-0571</a>	Primary Seal Face Kit (Includes both faces)	SiC/SiC		1	2
81	<a href="#">JX5240-002</a>	Drive Plate - Mechanical Seal			1	2
82	<a href="#">JX5250-015</a>	Wave Spring - Mechanical Seal			1	2
83	<a href="#">J96080-0611</a>	Single Seal Trim Kit	Nitrile		1	2
	<a href="#">J96080-0572</a>	Single Seal Trim Kit	EPDM		1	2
	<a href="#">J96080-0578</a>	Single Seal Trim Kit	Viton		1	2
	<a href="#">83A, 83B, 83C</a>	Single Seal Trim Kit	PTFE		1	2
83a	<a href="#">J54020-0006</a>	Washer under Seal Rotary Face (fitted to rotor)	Viton		1	2
83b	<a href="#">J54613-0000</a>	Sleeve (fitted to rotor)	PTFE		1	2
83c	<a href="#">J92000-6025</a>	Encapsulated O-Ring	PTFE encap		1	2
84	<a href="#">J56011-0000</a>	Clamp Plate - Seal Housing			2	4
85	<a href="#">JX3001-209F</a>	Screw - Seal Housing			2	4
86	<a href="#">J96080-0573</a>	Seal Housing Kit (Includes wave spring + Drive plate)			1	2
Kit	<a href="#">J54684-9250B</a>	Pump Head Trim Kit	Nitrile	HP62	1	1
	<a href="#">J54684-9257B</a>	Pump Head Trim Kit	EPDM		1	1
	<a href="#">J54684-9254B</a>	Pump Head Trim Kit	Viton		1	1
	<a href="#">J54684-9252B</a>	Pump Head Trim Kit	PTFE		1	1
	<a href="#">J54684-9300B</a>	Pump Head Trim Kit	Nitrile	HP64	1	1
	<a href="#">J54684-9307B</a>	Pump Head Trim Kit	EPDM		1	1
	<a href="#">J54684-9304B</a>	Pump Head Trim Kit	Viton		1	1
	<a href="#">J54684-9302B</a>	Pump Head Trim Kit	PTFE		1	1
Kit	<a href="#">J54699-0001</a>	Seal Service Kit, C/SS	Nitrile	HP62	1	1
	<a href="#">J54699-0003</a>	Seal Service Kit, C/SS	EPDM		1	1
	<a href="#">J54699-0005</a>	Seal Service Kit, C/SS	Viton		1	1
	<a href="#">J54699-0007</a>	Seal Service Kit, C/SS	PTFE		1	1
	<a href="#">J54699-0009</a>	Seal Service Kit, C/SiC	Nitrile		1	1
	<a href="#">J54699-0011</a>	Seal Service Kit, C/SiC	EPDM		1	1
	<a href="#">J54699-0013</a>	Seal Service Kit, C/SiC	Viton		1	1
	<a href="#">J54699-0015</a>	Seal Service Kit, C/SiC	PTFE		1	1
	<a href="#">J54699-0017</a>	Seal Service Kit, SiC/SiC	Nitrile		1	1
	<a href="#">J54699-0019</a>	Seal Service Kit, SiC/SiC	EPDM		1	1
	<a href="#">J54699-0021</a>	Seal Service Kit, SiC/SiC	Viton		1	1
	<a href="#">J54699-0023</a>	Seal Service Kit, SiC/SiC	PTFE		1	1
	<a href="#">J54699-0002</a>	Seal Service Kit, C/SS	Nitrile	HP64	1	1
	<a href="#">J54699-0004</a>	Seal Service Kit, C/SS	EPDM		1	1
	<a href="#">J54699-0006</a>	Seal Service Kit, C/SS	Viton		1	1
	<a href="#">J54699-0008</a>	Seal Service Kit, C/SS	PTFE		1	1
	<a href="#">J54699-0010</a>	Seal Service Kit, C/SiC	Nitrile		1	1
	<a href="#">J54699-0012</a>	Seal Service Kit, C/SiC	EPDM		1	1
	<a href="#">J54699-0014</a>	Seal Service Kit, C/SiC	Viton		1	1
	<a href="#">J54699-0016</a>	Seal Service Kit, C/SiC	PTFE		1	1
	<a href="#">J54699-0018</a>	Seal Service Kit, SiC/SiC	Nitrile		1	1
	<a href="#">J54699-0020</a>	Seal Service Kit, SiC/SiC	EPDM		1	1
	<a href="#">J54699-0022</a>	Seal Service Kit, SiC/SiC	Viton		1	1
	<a href="#">J54699-0024</a>	Seal Service Kit, SiC/SiC	PTFE		1	1

## PUMP SERIES HP 6

Flush for single mechanical seal

Item	Part nr.	Description	Material	Used	Quantity per	
					assembly	pump
89	<b>J96080-0574</b>	Seal Housing Kit		HP6	1	2
89a		Washer (part of Seal Housing Kit)			1	2
90	<b>J92701-1022</b>	Lip Seal - Seal Housing	Nitrile		1	2
91	<b>J92000-1454</b>	O-Ring - Seal Housing	Nitrile		1	2
Kit	<b>J54699-0025</b>	Flushed Seal Conversion Kit	Nitrile		1	1

## PUMP SERIES HP 6

Double mechanical seal

Item	Part nr.	Description	Material	Used	Quantity per	
					assembly	pump
92	<b>J96080-0576</b>	Secondary Seal Face Kit	C/SiC	HP6	1	2
92a		Rubber Washer (part of Secondary Seal Face Kit)	EPDM		1	2
92b		Drive Ring (part of Secondary Seal Face Kit)			1	2
93	<b>J96080-0612</b>	Secondary Seal Trim Kit	Nitrile		1	2
	<b>J96080-0577</b>	Secondary Seal Trim Kit	EPDM		1	2
	<b>J96080-0580</b>	Secondary Seal Trim Kit	Viton		1	2
94	<b>JX5240-002</b>	Drive Plate - Mechanical Seal Secondary			1	2
95	<b>J96080-0575</b>	Seal Housing Kit			1	2
Kit	<b>J54699-0030</b>	Double Mechanical Seal Conversion Kit			1	1

## PUMP SERIES HP 6

Single O-ring seal

Item	Part nr.	Description	Material	Used	Quantity per	
					assembly	pump
96	<b>J54653-0000</b>	Seal Sleeve		HP6	1	2
97	<b>J54652-0000</b>	Seal Housing			1	2
98	<b>J54654-0000</b>	Retaining Nut			1	2
99	<b>J92000-6013</b>	O-Ring - Rotor	Nitrile		1	2
100	<b>JSP2000-79</b>	O-Ring - Primary Seal	Viton		1	2
101	<b>J92000-6012</b>	O-Ring - Seal Housing	Nitrile		1	2
Kit	<b>J54651-0000</b>	Single O-Ring Seal Kit			1	1

## PUMP SERIES HP 6

Double O-ring seal

Item	Part nr.	Description	Material	Used	Quantity per	
					assembly	pump
99	<a href="#">J92000-6013</a>	O-Ring - Rotor	Nitrile	HP6	1	2
100	<a href="#">JSP2000-79</a>	O-Ring - Primary Seal	Viton		2	4
102	<a href="#">J54637-0000</a>	Seal Sleeve			1	2
103	<a href="#">J54638-0000</a>	Seal Housing			1	2
104	<a href="#">J92000-6038</a>	O-Ring Housing	Nitrile		2	4
105	<a href="#">J92000-1454</a>	O-Ring Flush Housing			1	2
107	<a href="#">JX3001-211F</a>	Bolt Flush Housing			2	4
108	<a href="#">J54539-0000</a>	Washer			2	4
Kit	<a href="#">J54636-0001</a>	Double O-Ring Seal Kit	Nitrile		1	1
	<a href="#">J54636-0002</a>	Double O-Ring Seal Kit	Viton		1	1

## PUMP SERIES HP 6

Pressure relief valve

Item	Part nr.	Description	Material	Used	Quantity per	
					assembly	pump
125	<a href="#">J54609-0001</a>	End Cover		HP6	1	1
126	<a href="#">JX4020-424X</a>	O-Ring - Relief Valve	Nitrile		1	1
	<a href="#">JX4020-424E</a>	O-Ring - Relief Valve	PTFE		1	1
	<a href="#">JX4020-424B</a>	O-Ring - Relief Valve	Viton		1	1
128	<a href="#">J24272-0001</a>	Seat - Relief valve			1	1
129	<a href="#">J54073-0022</a>	Diaphragm - Relief Valve	Nitrile		1	1
	<a href="#">J24073-0012</a>	Diaphragm - Relief Valve	PTFE		1	1
131	<a href="#">J24274-0000</a>	Plunger			1	1
132	<a href="#">J24275-0000</a>	Spring - Relief Valve			1	1
133	<a href="#">J24276-0000</a>	Housing			1	1
134	<a href="#">J24277-0000</a>	Valve Guide			1	1
135	<a href="#">J24278-0000</a>	Adjusting Screw			1	1
136	<a href="#">JX3001-217F</a>	Bolt - Relief Valve			4	4
Kit	<a href="#">J54681-0001B</a>	Relief Valve Kit (includes components above)	Nitrile		1	1
	<a href="#">J54681-0002B</a>	Relief Valve Kit (includes components above)	PTFE		1	1

## PUMP SERIES HP 6

Thermal jacket

Item	Part nr.	Description	Material	Used	Quantity per	
					assembly	pump
138	<a href="#">J54609-0003</a>	End Cover		HP6	1	1
139	<a href="#">J54601-0001</a>	Jacket			2	2
140	<a href="#">JX4020-374B</a>	O-Ring			2	2
141	<a href="#">JX3001-244F</a>	Screws			4	4

## PUMP SERIES HP 6

Thermal jacket

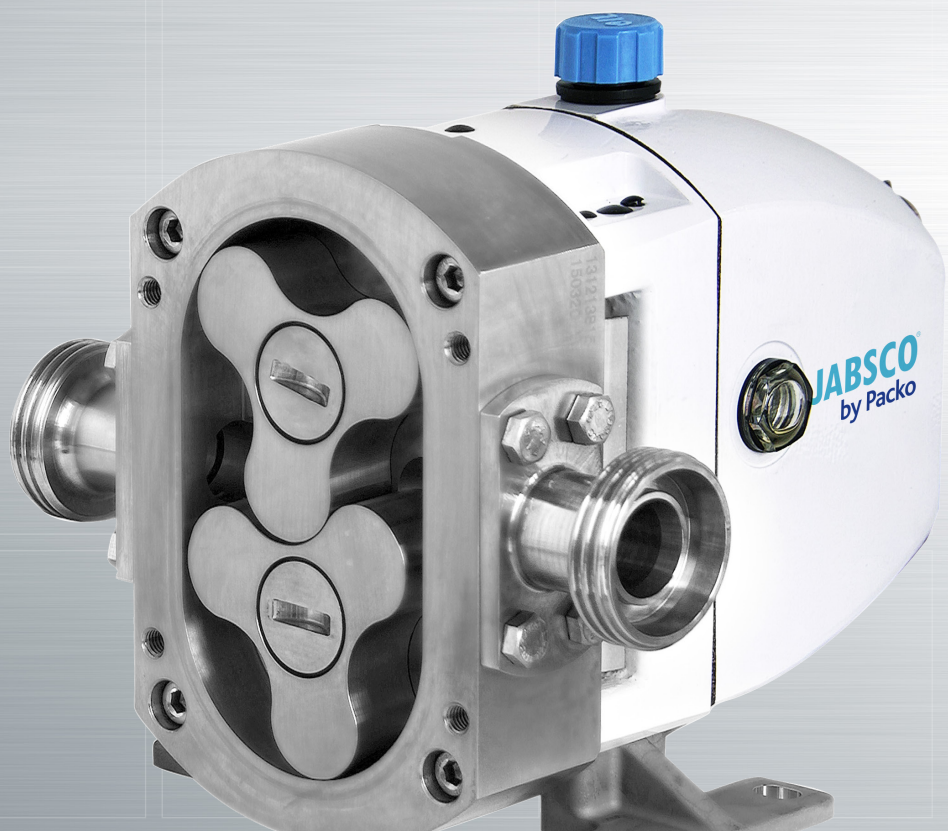
Item	Part nr.	Description	Material	Used	Quantity per	
					assembly	pump
Kit	<b>J54680-0003B</b>	Pump Head Jacket Kit (Includes components above)			1	1
143	<b>J54609-0004</b>	End Cover			1	1
144	<b>J54679-0000</b>	Jacket			1	1
145	<b>JX4020-429B</b>	O-Ring - Outer			1	1
146	<b>J</b>	O-Ring - Inner			1	1
147	<b>JX3001-211F</b>	Screws			1	1
Kit	<b>J54680-0004B</b>	End Cover Jacket Kit (Includes components above)			1	1
	<b>J54680-0009B</b>	Relief Valve with Thermal Jacket - End Cover			1	1

## PUMP SERIES HP 6

Tool

Item	Part nr.	Description	Material	Used	Quantity per	
					assembly	pump
180	<b>J55027-0004</b>	Tool - Rotor Locking Pad		HP6	1	1
181	<b>J54676-0000</b>	Socket Tool - Rotor Retainer			1	1
182	<b>J54677-0000</b>	Tool - Seal Seat Removal			1	1





**VERDER**  
passion for pumps

**VERDER LIQUIDS BV**

Utrechtseweg 4A  
3451 GG Vleuten  
The Netherlands  
**MAIL** [info@verderliquids.com](mailto:info@verderliquids.com)  
**WEB** [www.verderliquids.com](http://www.verderliquids.com)

**AUSTRIA / BELGIUM / BULGARIA / CHINA / CZECH REPUBLIC  
FRANCE / GERMANY / HUNGARY / INDIA / ITALY / THE NETHERLANDS  
POLAND / REPUBLIC OF KOREA / ROMANIA / SLOVAKIA / SOUTH AFRICA  
SWITZERLAND / UNITED KINGDOM / UNITED STATES OF AMERICA**