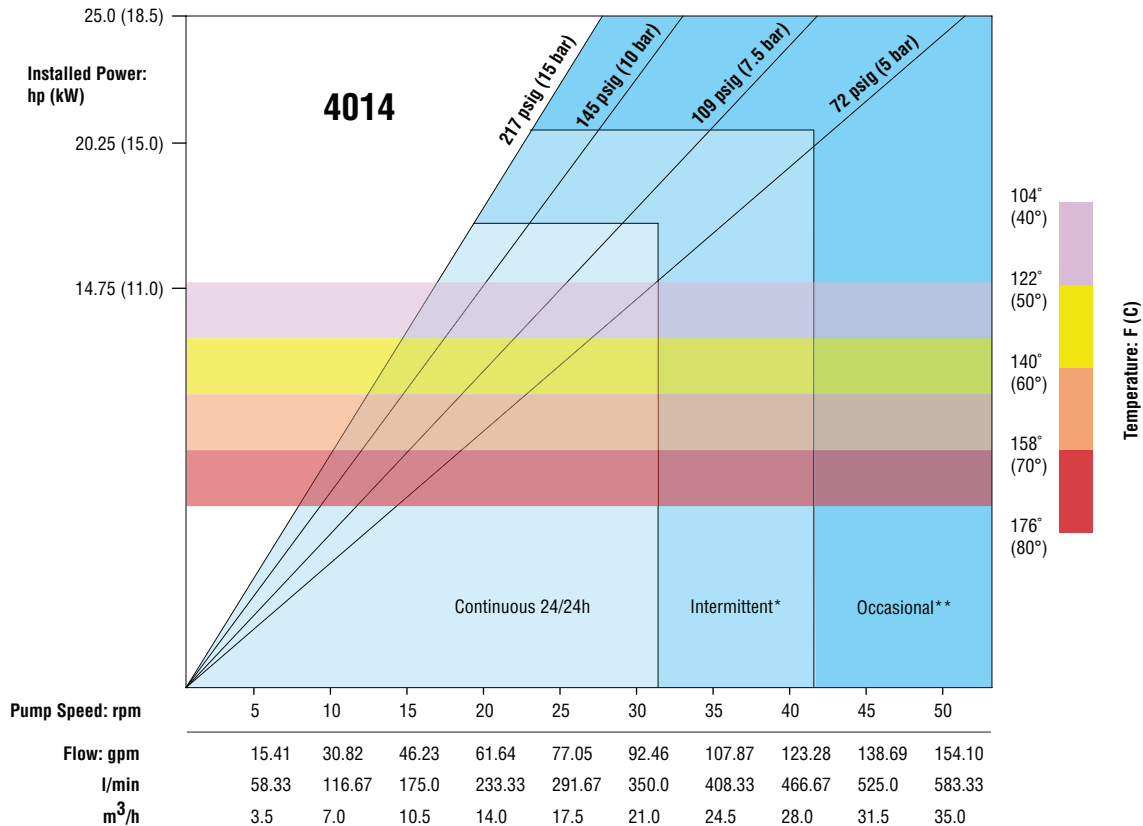


Performance



* Intermittent use: Minimum of 1 hour stop after 2 hours use ** Occasional use: Maximum 1 hour per day

Fluid Characteristics

Viscosity:	100,000 cps max.
Liquid Temperature:	180°F (82°C) max.
Solid Size (compressible):	69.5 mm max.
Fiber Length:	39-5/8 inch (1000 mm) max.

Materials of Construction

Casing:	Ductile Iron
Rotor:	Ductile Iron
Shoes:	Cast Iron
Frame:	Steel
Cover:	Steel
Casing O-ring Seal:	Nitrile
Hose Materials:	NR/NBR/EPDM/Hypalon

Specifications

Discharge Pressure:	218 psig (15 bar) max.
Suction Lift (sea level):	29.5 ft (9 m) max.
Suction Pressure:	21.8 psig (1.5 bar) max.
NPSHr:	4 ft
Horsepower:*	25 max.
Hose Size:	80 x 123 x 2910 mm
Displacement:	3.0823 gal/rev
Lubrication Fluid:	42.27 qts (40 L)
Lubricant:	Glycerine / Glycol
Weight (pump only):	1,323 lbs. (600 kg)
Weight (with drive):	2,050 lbs. (930 kg)

* Pumps are shaft driven and require a gearbox and motor. See Ordering Information on following page for details.

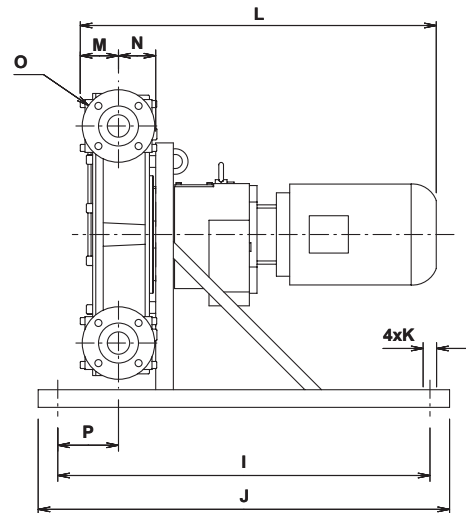
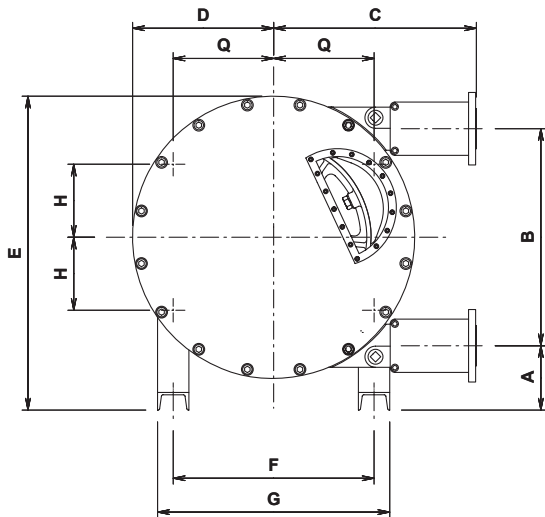
Model 4014 Ordering Information

A complete Vector pump order number uses a 10-character order code to identify the desired hose, fittings and drive. Select the appropriate items from the chart to the right and use the order code from each group to complete the pump assembly order number.



Dimensional Drawings

See Ordering Information for motor and gearbox sizes.



	A	B	C	D	E	F	G	H	I	J	K	M	N	O	P	Q
Inches	10.3	34.5	31.6	21.9	52.0	27.2	32.7	13.6	10.3	34.5		5.5	5.6	3" 150 lb	8.3	13.6
mm	262	876	803	555	1320	690	830	345	262	876	4xø27	140.5	145	ANSI	210	345

1	2	3	4	5	6	7	8	9	10
4	0	1	4	-		-		-	

Order Digit	Order Code	Description
1-4		Pump Designation
	4014	Model 4014 Shaft Drive Pump
5-6		Hose Material (fiber-braided)
	MF	Natural Rubber
	BF	NBR, Oil-rated
	EF	EPDM
	HF	Hypalon
7-8		Connector Material/Style
	BB	316 SST insert w/ 316 SST 3" 150 Lb ANSI flange
	PP	Polypropylene insert w/ 316 SST 3" 150 Lb ANSI flange
	MM	PVDF insert w/ 316 SST 3" 150 Lb ANSI flange
9-10		Drive
		Flow GPM
		Gear Ratio
		Pump RPM
		Max Psig
		BHP
		3Ø, TEFC, 230/460 VAC, 60 Hz
		4:1 Inverter Duty Turndown
	B2	46.2 120:1 15 217* 15
	D2	63.0 83:1 21 217* 20
	F2	89.3 61:1 29 140* 25
	H2	117.0 46:1 38 108* 25
	J2	135.5 40:1 44 72 25

Fluid Viscosity	Pressure Range*
0 - 250 cps	0 - 75 psig
250 - 100,000 cps	0 - 217 psig