

## Design Features

- Dry pump cavity
- Self-priming operation
- Runs dry without damage
- Complete isolation of fluid pumped
- Heavy-duty roller bearings
- Variety of pump configurations, flows, and pressure ratings
- No dynamic seals, cups or packing to leak, wear or replace
- Reversible flow
- Low maintenance

## Materials of Construction

### Non-wetted Parts

Casing: Aluminum Alloy

Rotor: Aluminum Alloy

Rollers: Plastic/Alloy

### Wetted Parts

Hose:

EXTRUDED – Neoprene, Varprene

BRAIDED – EPDM, Hypalon, Nitrile Rubber, Natural Rubber  
(regular and heavy-duty)

Inlet/Outlet Connections:

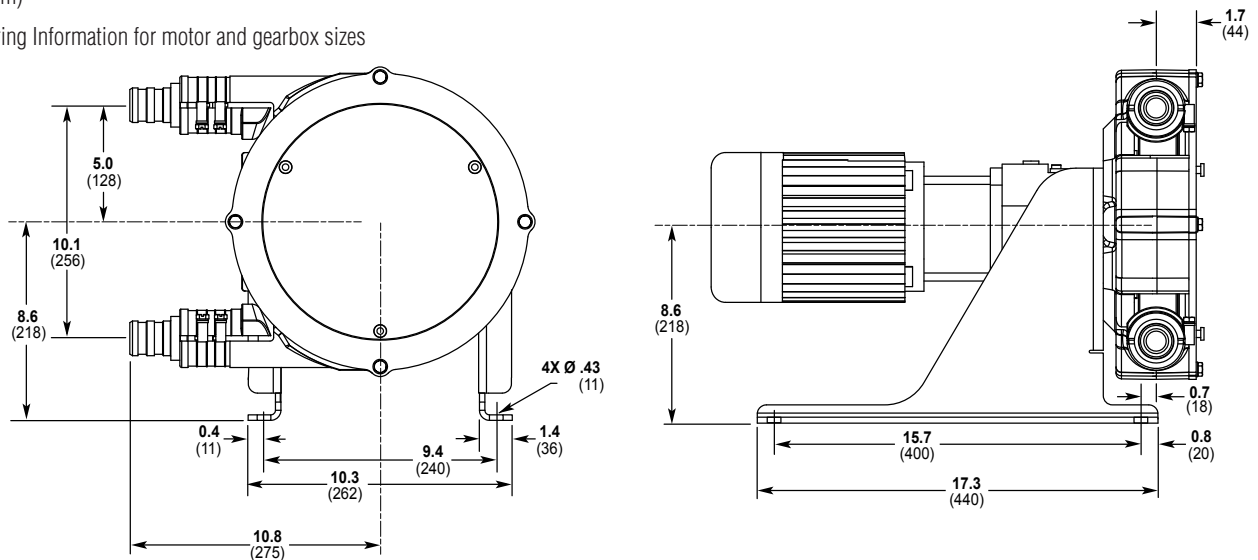
PTFE or Stainless Steel Hose Barb, Stainless Steel or Carbon  
Steel ANSI Flange, PTFE NPT, and Stainless Steel Sanitary  
Tri-clamp



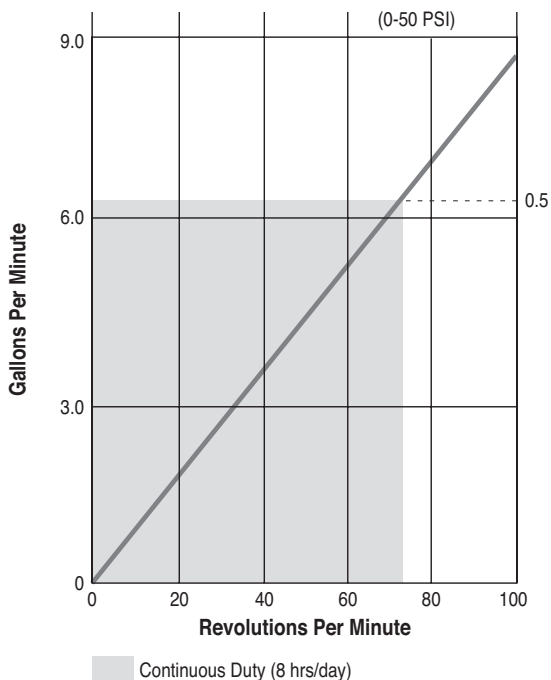
## Dimensional Drawings

Inches (mm)

See Ordering Information for motor and gearbox sizes



### Performance



### Fluid Characteristics

Viscosity:	15,000 cps max.
Liquid Temperature:	180°F (82°C) max.
Solid Size:	(see page 4)
Fiber Length:	1-1/4 inch (31.7 mm) max.

### Specifications

Discharge Pressure:	50 psig (3.4 bar) max.
Suction Lift:	16.5 ft. (5 m)
Suction Pressure:	25 psig (1.7 bar) max.
Horsepower:*	3/4 max.
Hose Size:	25 x 43 x 860 mm
Displacement:	0.085 gal/rev (0.032 l/rev)
Weight (pump only):	40 lbs. (18 kg)
Weight (with drive):	83 lbs. (38 kg)

\* Pumps are shaft driven and require a gearbox and motor. See Ordering Information for details.

### Model 2005 Ordering Information

A complete Vector pump order number uses a 9-character order code to identify the desired hose, fittings and drive. Select the appropriate items from the chart below and use the order code from each group to complete the pump assembly order number.

1	2	3	4	5	6	7	8	9	10
2	0	0	5	-		-		-	

Horsepower

Order Digit	Order Code	Description
<b>1-4</b>	<b>2005</b>	<b>Pump Designation</b> Model 2005 Shaft Drive Pump
<b>5-6</b>		<b>Hose Material/Type</b>
	EF	EPDM, fiber-braided
	HF	Hypalon, fiber-braided
	MF	Natural Rubber, fiber-braided, heavy-duty
	NF	Natural Rubber, fiber-braided
	OF	Nitrile, Oil-rated, fiber-braided, heavy-duty
	PE	Neoprene, extruded (30 psig max.)
	VE	Varpene, extruded (30 psig max.)
<b>7-8</b>		<b>Connector Material/Style</b>
	AA	PTFE, 1-1/4" hose barb
	BB	316 SST, 1" ANSI flange
	CC	316 SST, Sanitary, 1-1/2" tri-clamp
	EE	Carbon Steel, 1" male NPT
	HH	PTFE, 1" male NPT
	SS	316 SST, 1" hose barb
<b>9-10</b>		<b>Drive</b>
		<b>Flow GPM    Gear Ratio    Pump RPM    Max Psig</b>
		<b>3Ø, 1/2 BHP TEFC, 230-460 VAC, 60 Hz</b>
		<b>4:1 Constant Torque Speed Range</b>
	B2	1.7    85:1    20    37(50) <sup>1</sup>
	D2	2.5    56:1    30    37(50) <sup>1</sup>
	F2	3.2    45:1    38    37(45) <sup>1</sup>
	H2	3.8    37:1    46    37(43) <sup>1</sup>
		<b>3Ø, 3/4 BHP TEFC, 230-460 VAC, 60 Hz</b>
		<b>4:1 Constant Torque Speed Range</b>
	J2	5.9    24:1    70    29(32) <sup>1</sup>
	A	No Drive

<sup>1</sup>( ) Heavy-duty, fiber-braided hose