



TECHNICAL MANUAL

GENERAL PURPOSE CLOSE COUPLED PUMPS - **CC-** SERIES CC-009, CC-015 AND CC-030

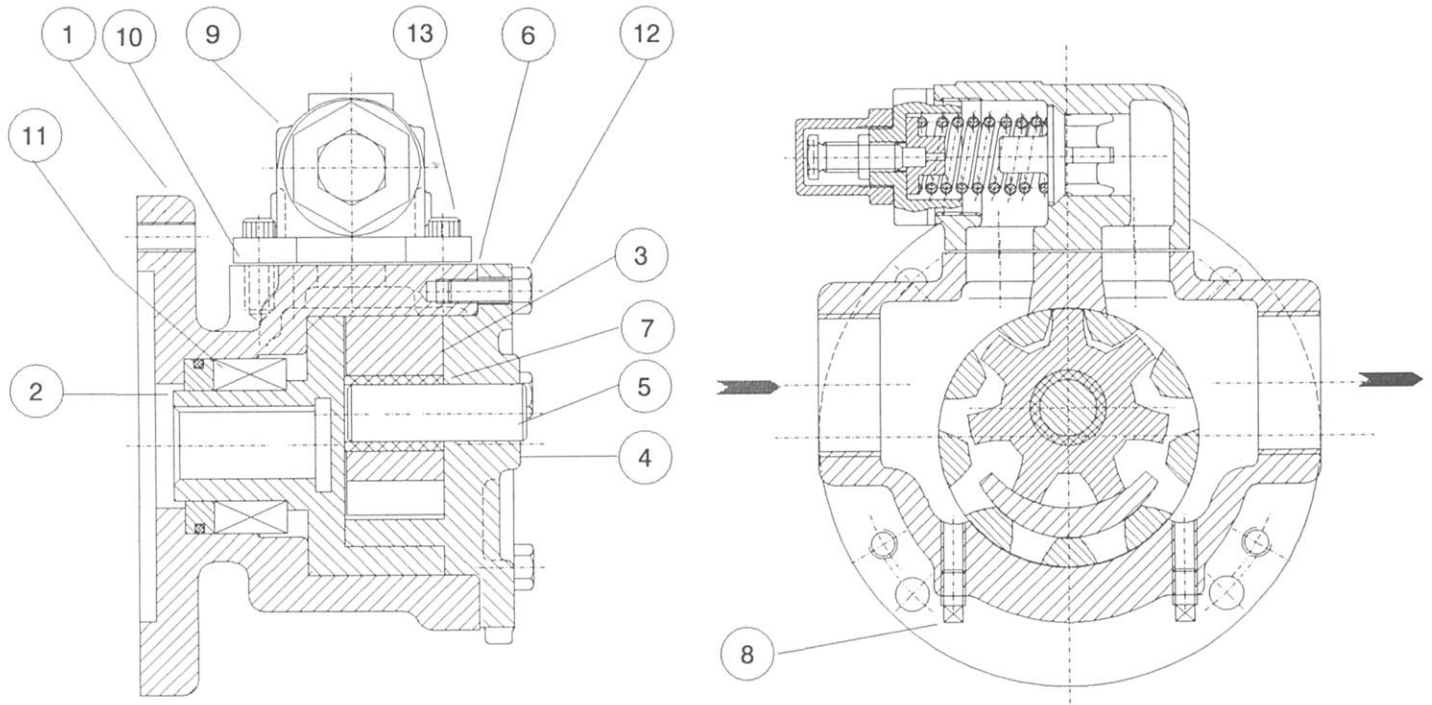


FIGURE 5

MAIN SECTION OF PUMP SERIES CC-030 (CC-015)

13	CAPSCREW (FOR RELIEF VALVE)	4
12	CAPSCREW (FOR COVER)	5
11	MECHANICAL SEAL	1
10	GASKET (FOR RELIEF VALVE)	1
9	RELIEF VALVE ASSEMBLY	1
8	PIPE PLUG 1/8"	2
7	IDLER BUSHING	1
6	GASKET (FOR COVER)	5
5	IDLER PIN	1
4	COVER	1
3	IDLER	1
2	ROTOR	1
1	HOUSING	1
POS.	COMPONENT	UNIT QUANT