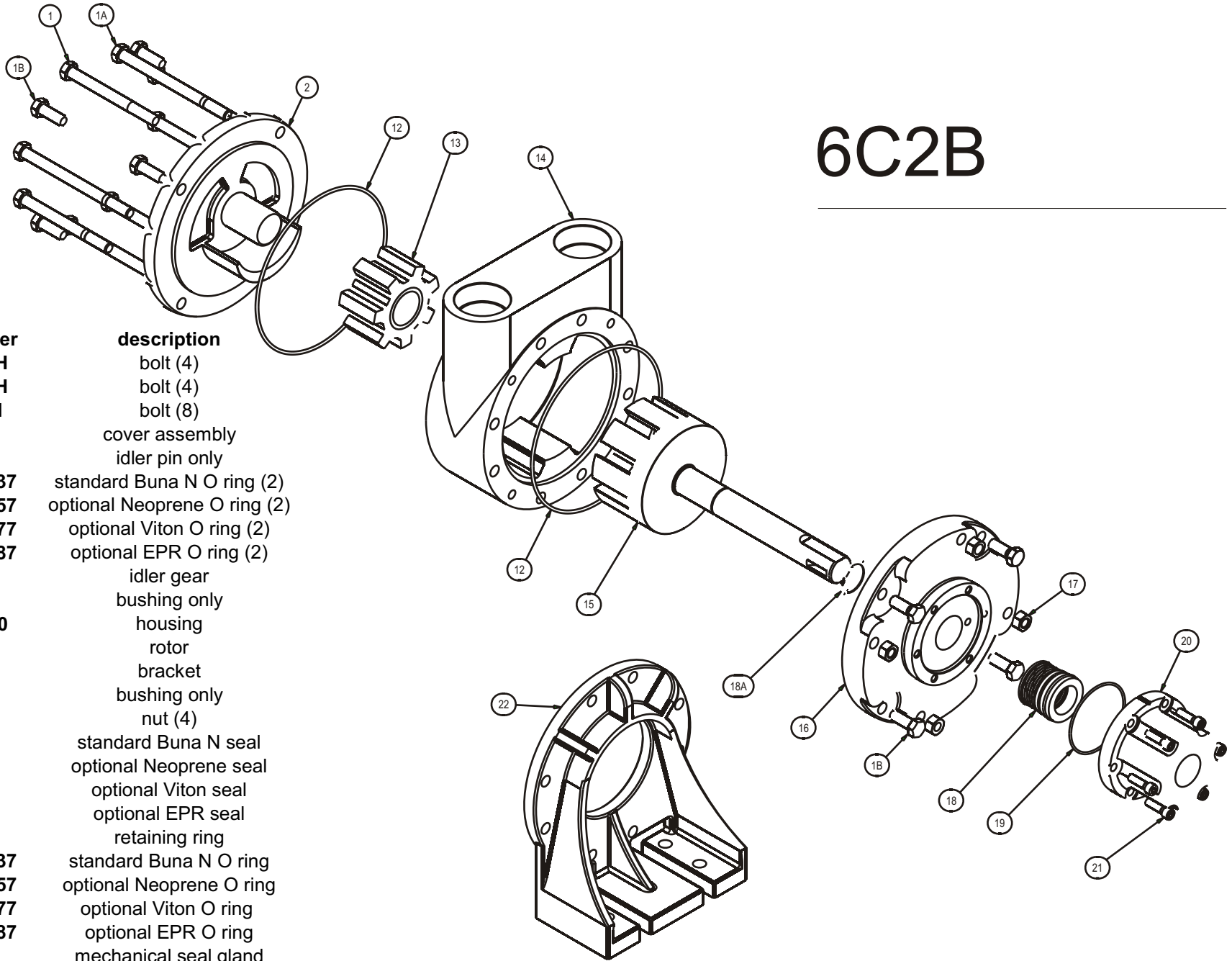




TUTHILL PUMP GROUP - LUBETECH PARTS LIST

6C2B



item	part number	description
1	P102-11-H	bolt (4)
1A	P102-25-H	bolt (4)
1B	P102-2-H	bolt (8)
2	6MU6	cover assembly
	6M31	idler pin only
12	P701-224-37	standard Buna N O ring (2)
	P701-224-57	optional Neoprene O ring (2)
	P701-224-77	optional Viton O ring (2)
	P701-224-87	optional EPR O ring (2)
13	6M5-1	idler gear
	6M33	bushing only
14	6CU22-2.0	housing
15	6C2B24	rotor
16	5C2F2	bracket
	5MR71	bushing only
17	P203-4	nut (4)
18	5C1B9	standard Buna N seal
	5C1B9-5	optional Neoprene seal
	5C1B9-7	optional Viton seal
	5C1B9-8	optional EPR seal
18A	P206-37	retaining ring
19	P701-223-37	standard Buna N O ring
	P701-223-57	optional Neoprene O ring
	P701-223-77	optional Viton O ring
	P701-223-87	optional EPR O ring
20	5C2B68	mechanical seal gland
	P612-16	bushing only
21	P105-115	bolt (6)
22	5C81	optional mounting foot

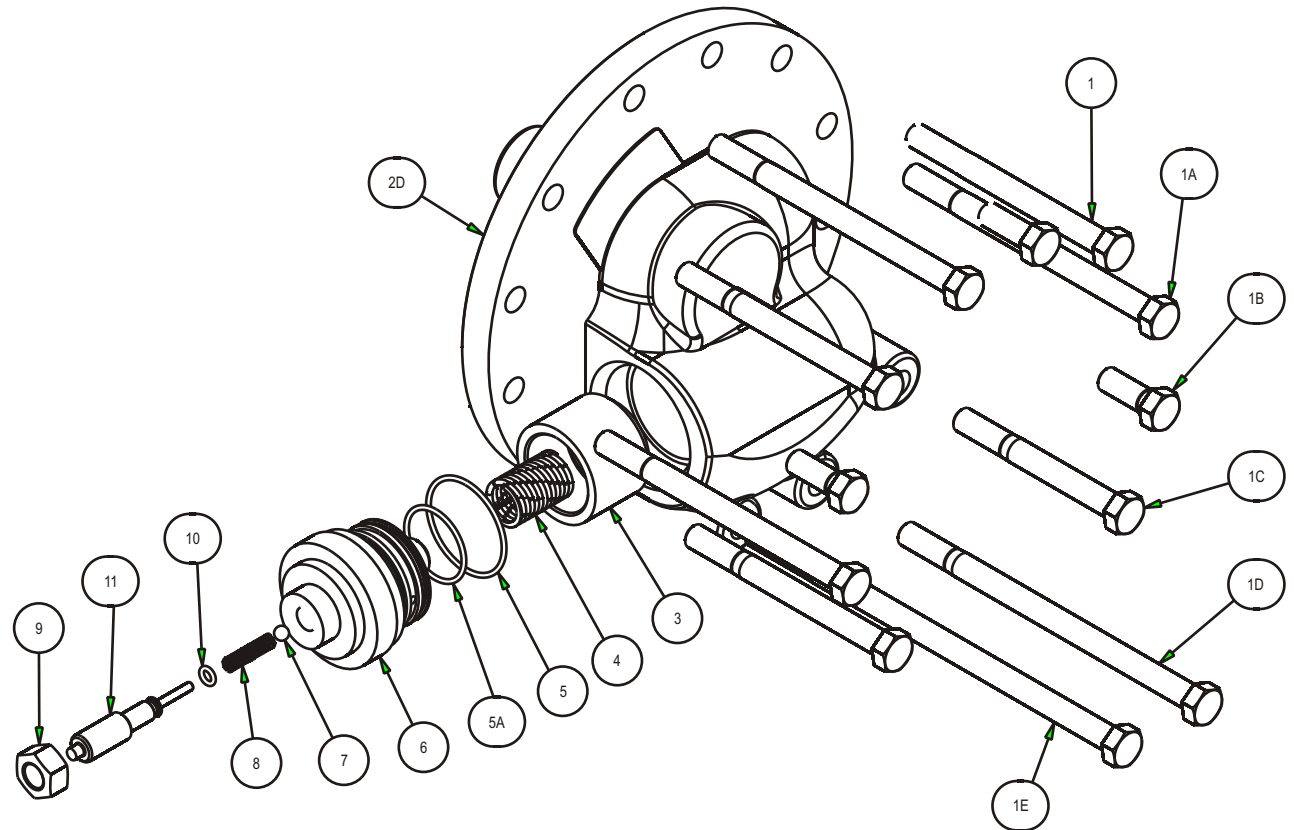


TUTHILL PUMP GROUP - LUBETECH PARTS LIST

item	part number	description
1	P102-11-H	bolt (3)
1A	P102-25-H	bolt (3)
1B	P102-2-H	bolt (3)
1C	P102-22-H	bolt (1)
1D	P102-27-H	bolt (1)
1E	P102-34-H	bolt (1)
2D	6C2V6-C	clockwise cover assy
	6C2V6-CC	counterclockwise assy
	6M31	idler pin only
3	5CV58-X775	plunger
4	3CV63-4	spring 30-225 psi (std)
	3CV63-5	spring 20-150 psi
	3CV63-6	spring 45-250 psi
5	P701-154-37	standard Buna N O ring
	P701-154-57	optional Neoprene O ring
	P701-154-77	optional Viton O ring
	P701-154-87	optional EPR O ring
5A	P701-112-37	standard Buna N O ring
	P701-112-57	optional Neoprene O ring
	P701-112-77	optional Viton O ring
	P701-112-87	optional EPR O ring
6	5CV56	plug
7	P350-5	ball
8	3CV63	pilot spring
9	P203-15	nut
10	P701-10-37	standard Buna N O ring
	P701-10-57	optional Neoprene O ring
	P701-10-77	optional Viton O ring
	P701-10-87	optional EPR O ring
11	3CV527	adjusting screw

6C2B

Relief Valve Option



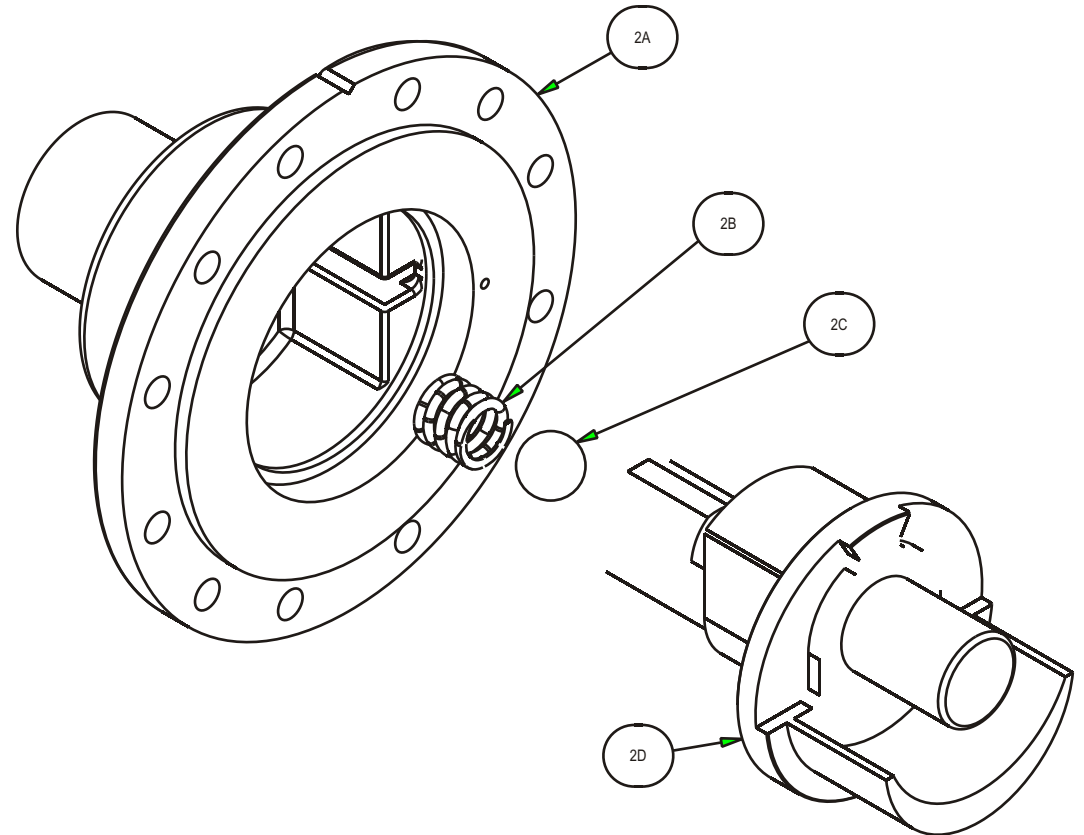


TUTHILL PUMP GROUP - LUBETECH PARTS LIST

6C2B

Reversing Option

item	part number	description
2A	5RU35	cover
2B	5R80	spring
2C	P350-4	ball
2D	6R6	carrier
	6M31	idler pin only





6C2B

Ball Bearing Option

item	part number	description
20A	5C2BN68	mechanical seal gland
20B	P602-19	ball bearing
21	P105-115	bolt (5)

