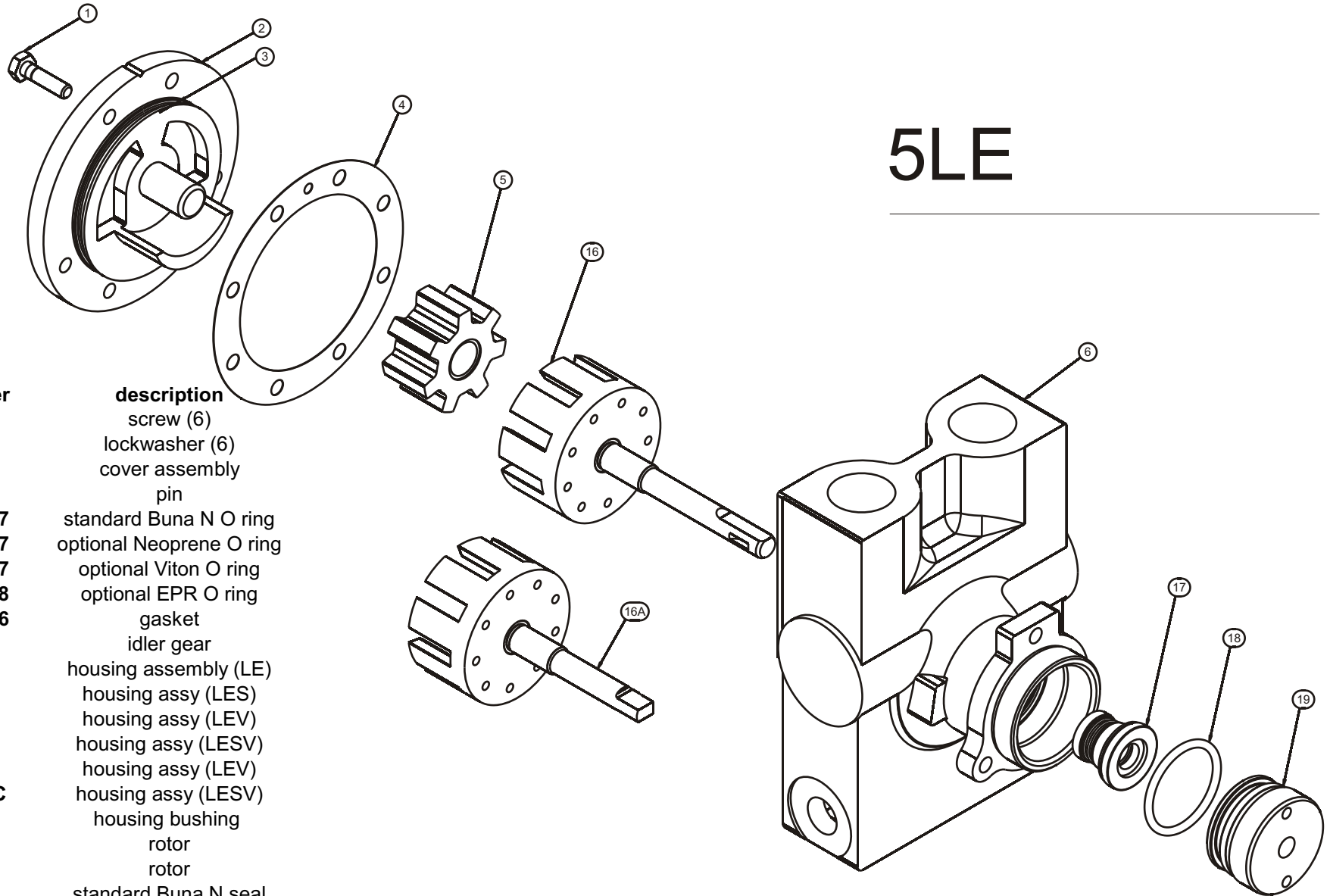




TUTHILL PUMP GROUP - LUBETECH PARTS LIST

5LE



item	part number	description
1	P100-6-H P802-5	screw (6) lockwasher (6)
2	5LE6 2R31	cover assembly pin
3	P701-173-37 P701-173-57 P701-173-77 P701-173-88	standard Buna N O ring optional Neoprene O ring optional Viton O ring optional EPDM O ring
4	2M34-JX726	gasket
5	5LE5-1	idler gear
6	5LE2 5LES2 5LEV2-C 5LESV2-C 5LEV2-CC 5LESV2-CC	housing assembly (LE) housing assy (LES) housing assy (LEV) housing assy (LESV) housing assy (LEV) housing assy (LESV)
	5LER71	housing bushing
16	5LE24	rotor
16a	5LE24-A	rotor
17	1LA9 1LA9-5 1LA9-7 1LA9-8	standard Buna N seal optional Neoprene seal optional Viton seal optional EPDM seal
18	P701-34-37 P701-34-57 P701-34-77 P701-34-87	standard Buna N O ring optional Neoprene O ring optional Viton O ring optional EPDM O ring
19	1LA11	housing plug (LE)

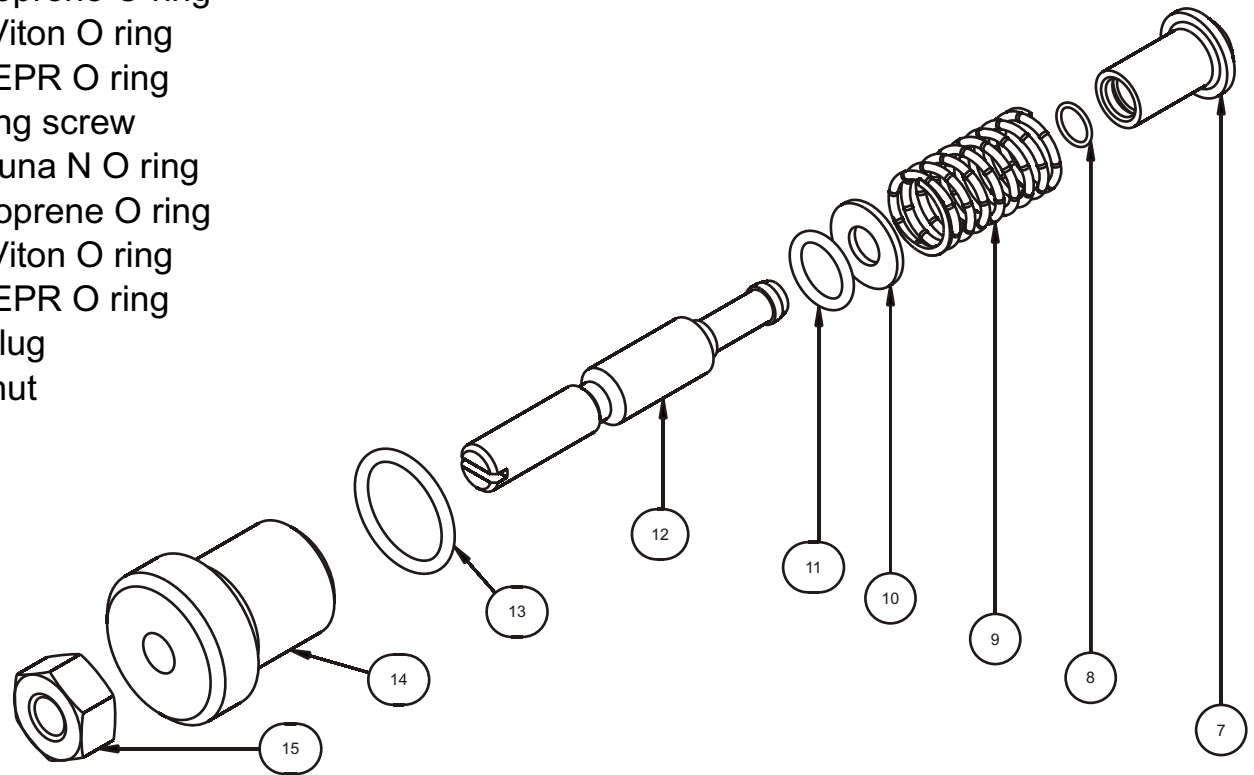


TUTHILL PUMP GROUP - LUBETECH PARTS LIST

5LE

Relief Valve Option

item	part number	description
7	5LEV58	plunger
8	5LEV77	retainer
9	P615-14	standard spring (40-70)
	5LE63	optional spring (70-225)
10	P800-9	valve cap gasket
11	P701-14-37	standard Buna N O ring
	P701-14-57	optional Neoprene O ring
	P701-14-77	optional Viton O ring
	P701-14-87	optional EPR O ring
12	5LEV527	adjusting screw
13	P701-129-37	standard Buna N O ring
	P701-129-57	optional Neoprene O ring
	P701-129-77	optional Viton O ring
	P701-129-87	optional EPR O ring
14	5LEV56	plug
15	30LE528	nut





5LE

Ball Bearing Option

item	part number	description
19a	1LAK37	housing plug (LEK)
19b	0LK511-E	ball bearing (LEK)

