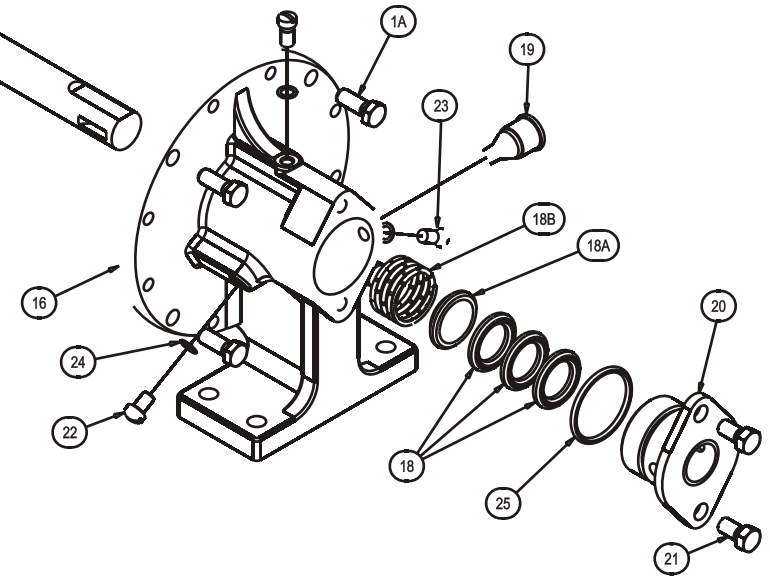
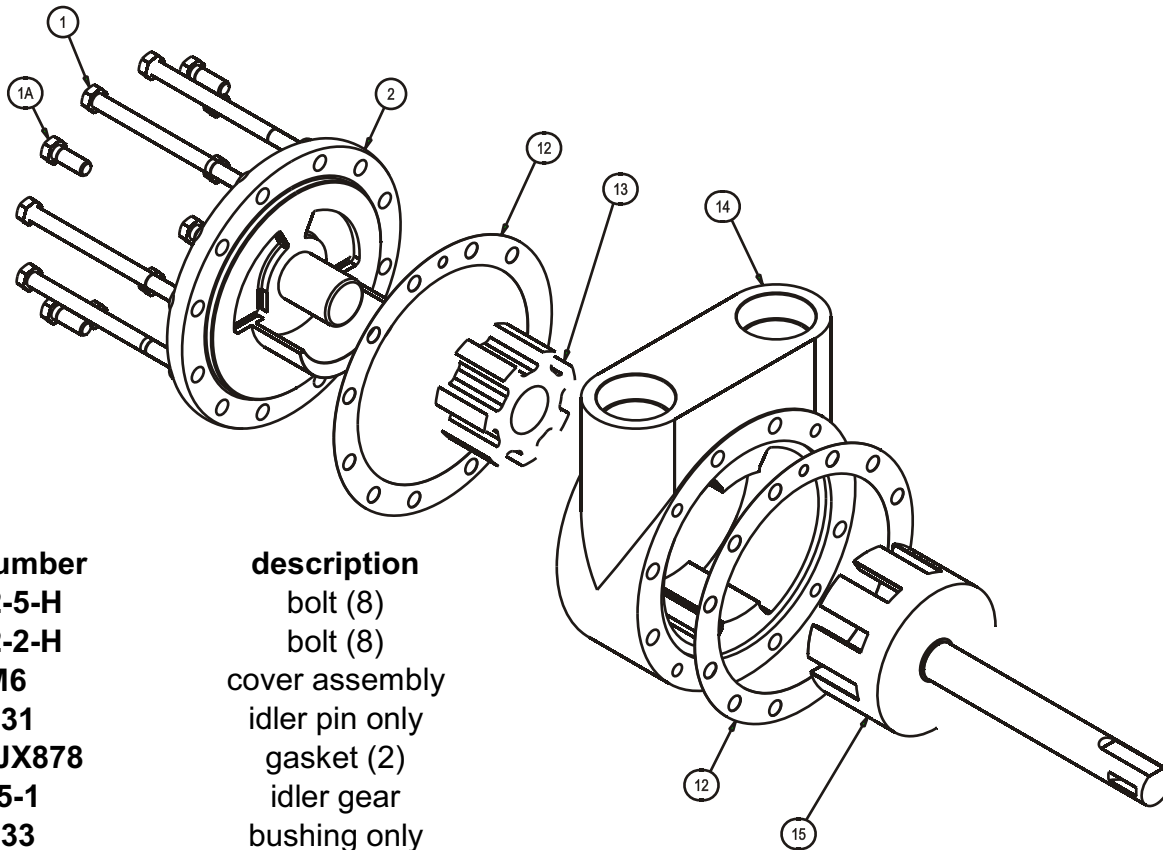




TUTHILL PUMP GROUP - LUBETECH PARTS LIST

5C1G



item	part number	description
1	P102-5-H	bolt (8)
1A	P102-2-H	bolt (8)
2	5M6	cover assembly
	5M31	idler pin only
12	5C34-JX878	gasket (2)
13	5M5-1	idler gear
	5M33	bushing only
14	5C22-1-1/2	housing
15	5CG24	rotor
16	5CGB2	bracket
	5MR71	bushing only
18	5CG94	packing ring (3)
18A	5CG92	packing retainer
18B	5CN73-OS	spring
19	P301-1	fgrease cup
20	5CG11	gland assembly
	5CG70	bushing only
21	P102-9-H	bolt (2)
	P802-3	lockwasher for above (2)
22	2MB517-A	short vent plug
23	2MB517-B	long vent plug (2)
24	2MB64	copper gasket (3)
25	P701-151-37	standard Buna N O ring

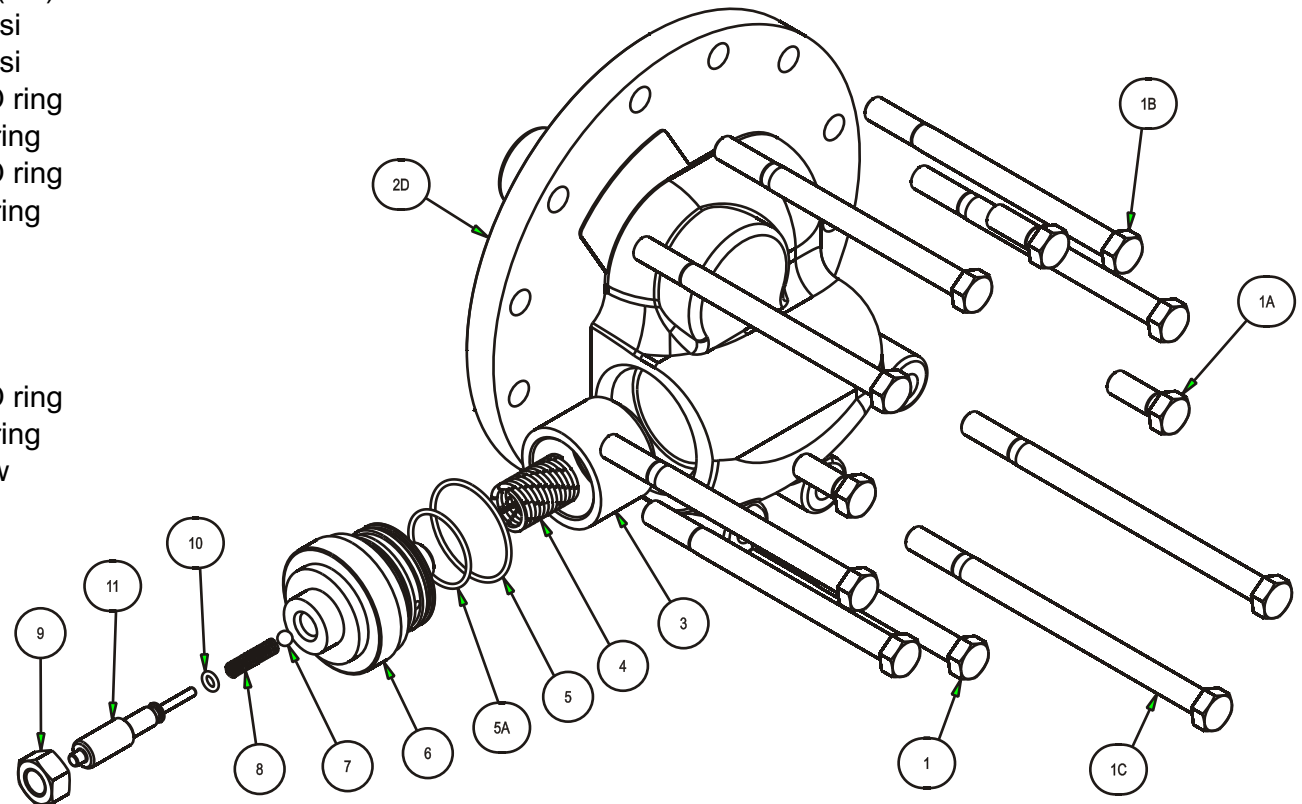


TUTHILL PUMP GROUP - LUBETECH PARTS LIST

item	part number	description
1	P102-1-H	bolt (1)
1A	P102-2-H	bolt (3)
1B	P102-12-H	bolt (6)
1C	P102-6-H	bolt (2)
2D	5CV6-C	clockwise cover assy
	5CV6-CC	counterclockwise assy
	5M31	idler pin only
3	5CV58-X775	plunger
4	3CV63-4	spring 30-225 psi (std)
	3CV63-5	spring 20-150 psi
	3CV63-6	spring 45-250 psi
5	P701-112-37	standard Buna N O ring
	P701-112-77	optional Viton O ring
5A	P701-154-37	standard Buna N O ring
	P701-154-77	optional Viton O ring
6	5CV56	plug
7	P350-5	ball
8	3CV63	pilot spring
9	P203-15	nut
10	P701-10-37	standard Buna N O ring
	P701-10-77	optional Viton O ring
11	3CV527	adjusting screw

5C1G

Relief Valve Option





5C1G

Reversing Option

item	part number	description
2A	5R35	cover
2B	5R80	spring
2C	P350-4	ball
2D	5R6	carrier assembly
	5M31	idler pin only

