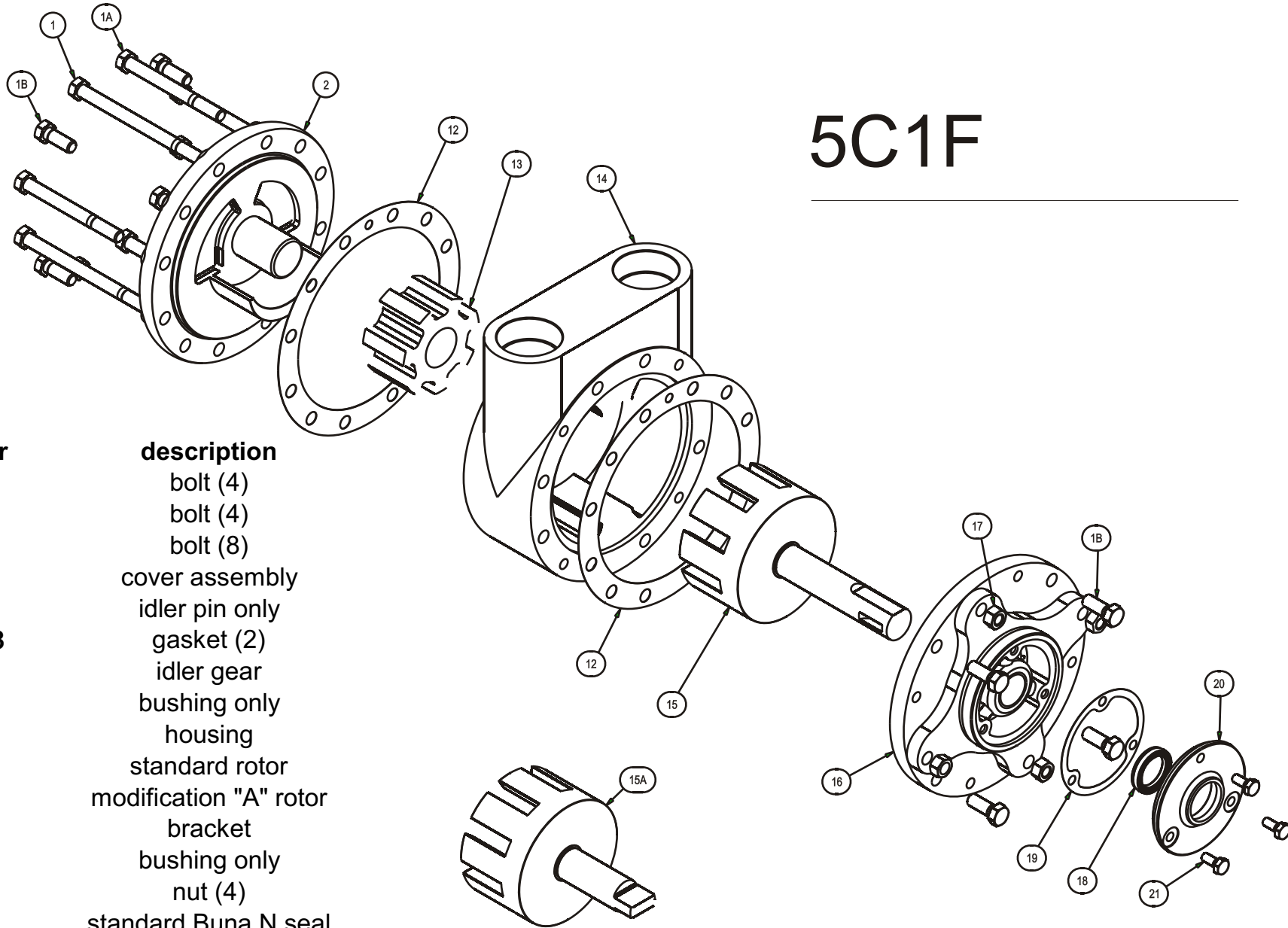




# TUTHILL PUMP GROUP - LUBETECH PARTS LIST

## 5C1F



item	part number	description
1	P102-12-H	bolt (4)
1A	P102-24-H	bolt (4)
1B	P102-2-H	bolt (8)
2	5M6	cover assembly
	5M31	idler pin only
12	5C34-JX878	gasket (2)
13	5M5-1	idler gear
	5M33	bushing only
14	5C22-1-1/2	housing
15	5CF24	standard rotor
15A	5CF24-A	modification "A" rotor
16	5CF2	bracket
	5CFR71	bushing only
17	P203-4	nut (4)
18	5CF94	standard Buna N seal
	5CF94-7	optional Viton seal
19	3CF74	gasket
20	5CF68	housing cap
21	P100-21-H	bolt (3)

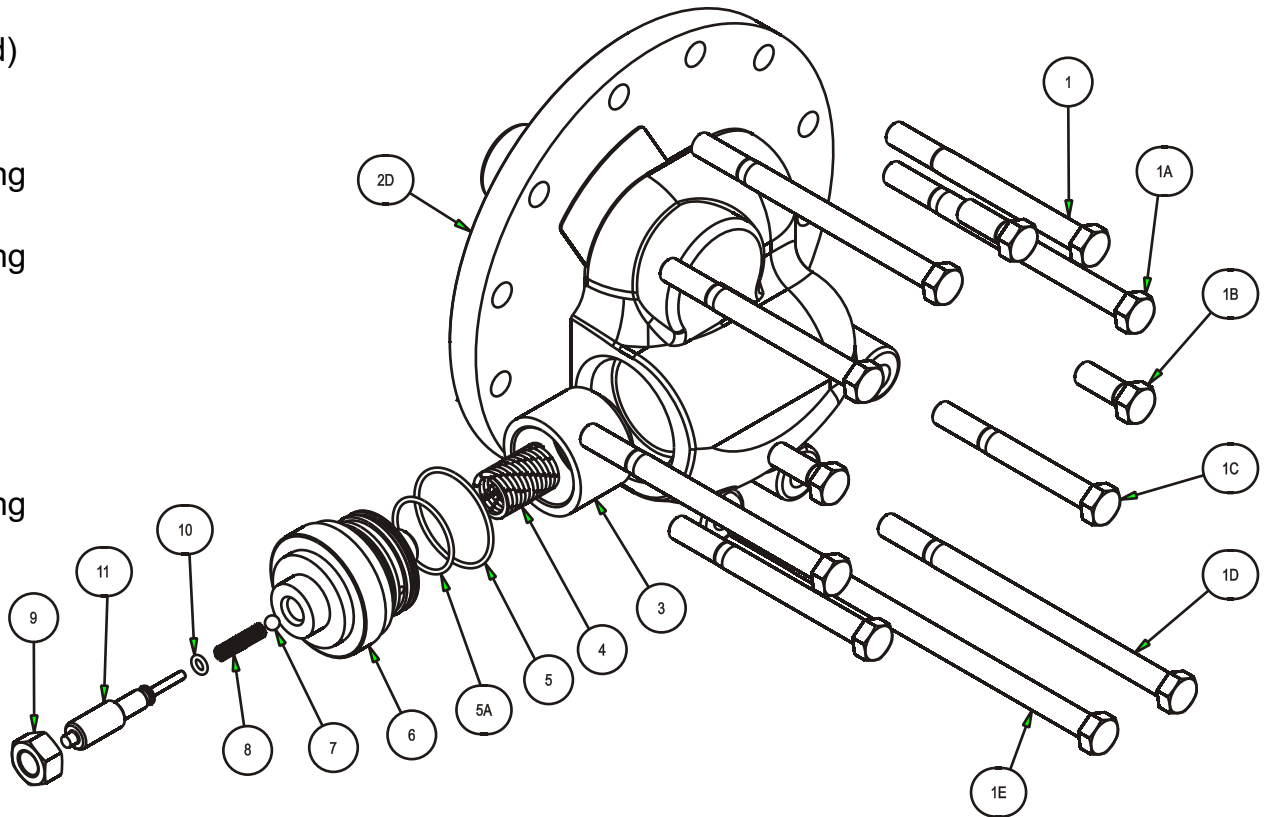


# TUTHILL PUMP GROUP - LUBETECH PARTS LIST

item	part number	description
1	P102-22-H	bolt (1)
1A	P102-24-H	bolt (3)
1B	P102-2-H	bolt (3)
1C	P102-5-H	bolt (3)
1D	P102-6-H	bolt (1)
1E	P102-26-H	bolt (1)
2D	5CV6-C	clockwise cover assy
	5CV6-CC	counterclockwise assy
	5M31	idler pin only
3	5CV58-X775	plunger
4	3CV63-4	spring 30-225 psi (std)
	3CV63-5	spring 20-150 psi
	3CV63-6	spring 45-250 psi
5	P701-112-37	standard Buna N O ring
	P701-112-77	optional Viton O ring
5A	P701-154-37	standard Buna N O ring
	P701-154-77	optional Viton O ring
6	5CV56	plug
7	P350-5	ball
8	3CV63	pilot spring
9	P203-15	nut
10	P701-10-37	standard Buna N O ring
	P701-10-77	optional Viton O ring
11	3CV527	adjusting screw

## 5C1F

### Relief Valve Option

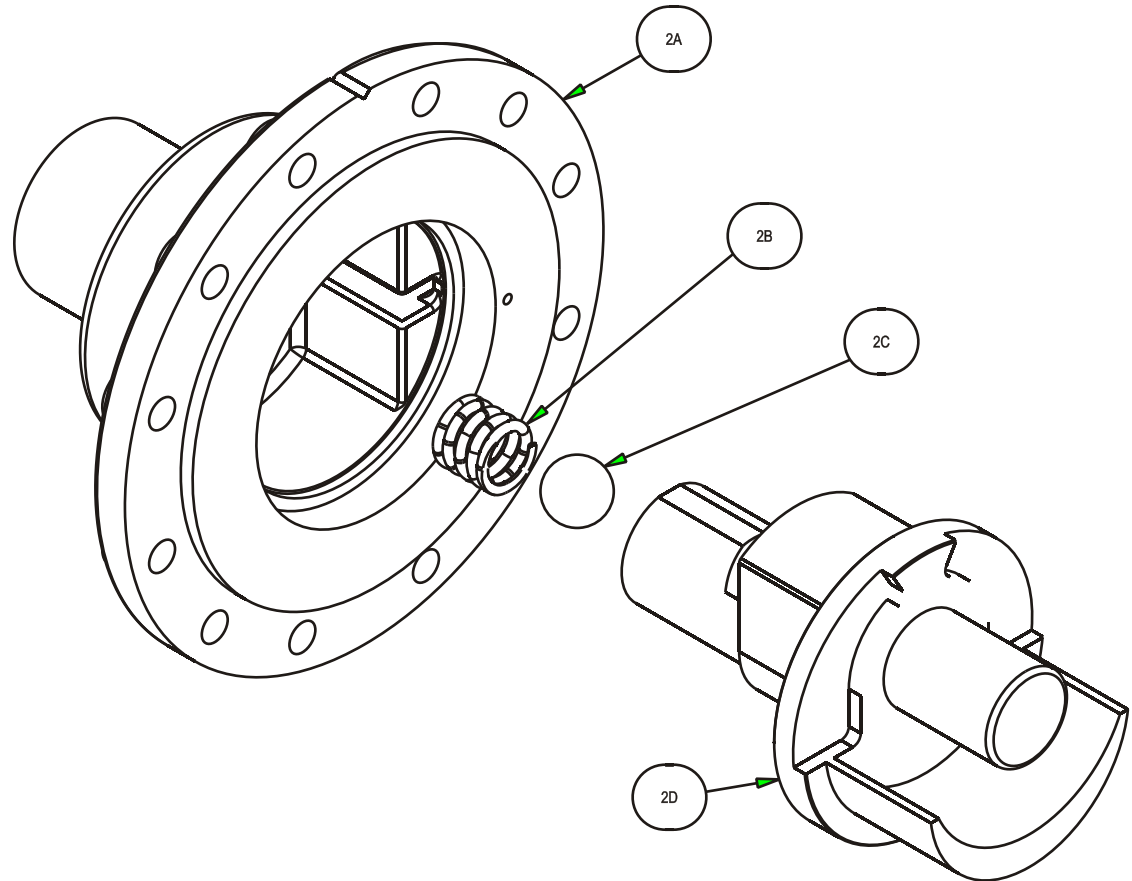




## 5C1F

### Reversing Option

item	part number	description
2A	5R35	cover
2B	5R80	spring
2C	P350-4	ball
2D	5R6 5M31	carrier assembly idler pin only





# 5C1F

## Ball Bearing Option

item	part number	description
15	5CFN24	rotor
20A	5CFN68	bearing cap
20B	P602-19	ball bearing
21A	P100-2-H	bolt (3)

