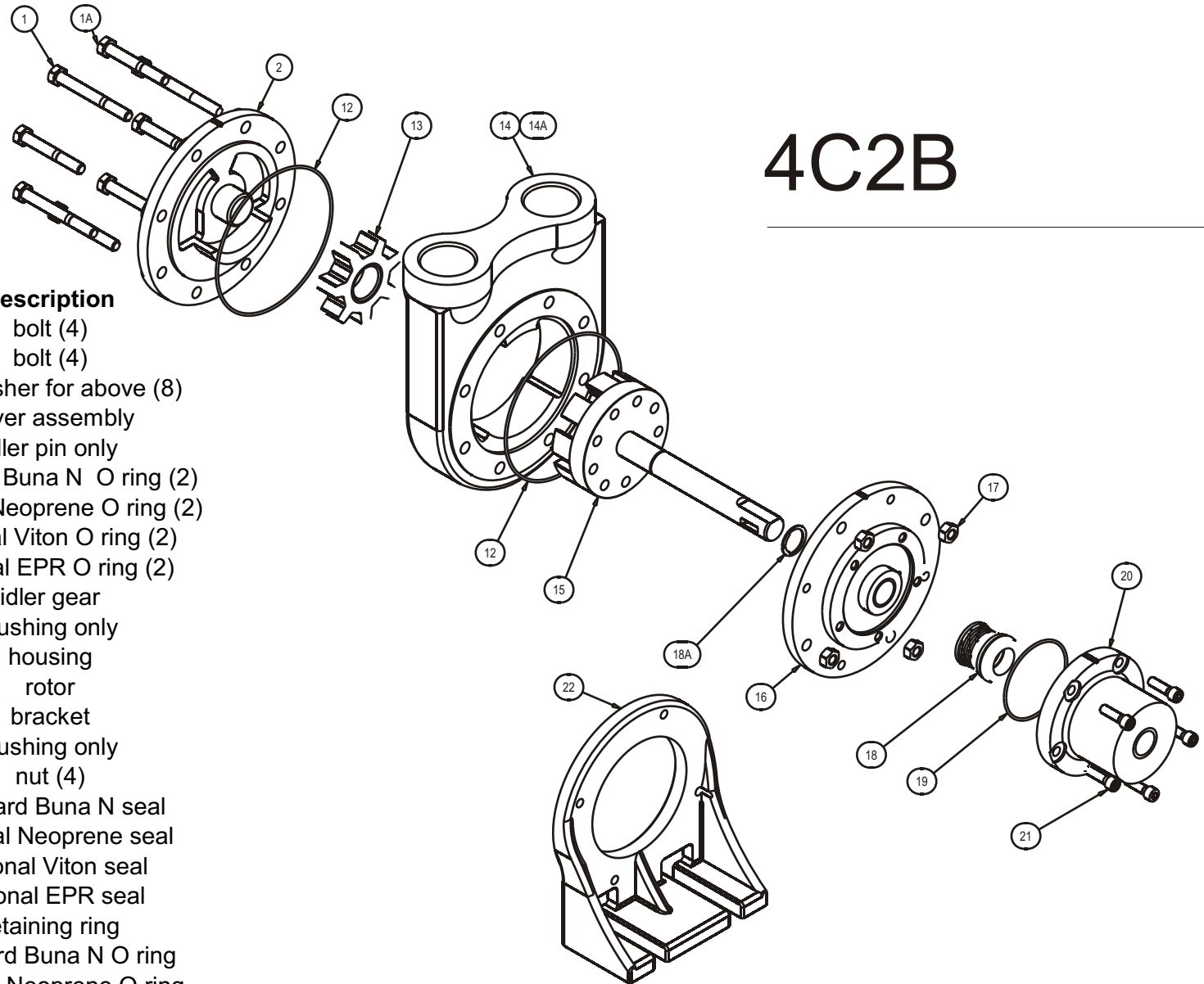




TUTHILL PUMP GROUP - LUBETECH PARTS LIST

4C2B



item	part number	description
1	P101-13-H	bolt (4)
1A	P101-4-H	bolt (4)
	P802-4	lockwasher for above (8)
2	4MU6	cover assembly
	4M31	idler pin only
12	P701-221-37	standard Buna N O ring (2)
	P701-221-57	optional Neoprene O ring (2)
	P701-221-77	optional Viton O ring (2)
	P701-221-87	optional EPR O ring (2)
13	4M5-1	idler gear
	4M33	bushing only
14	4CU22-1.5	housing
15	4C2B24	rotor
16	3C2F2	bracket
	3MR71	bushing only
17	P203-5	nut (4)
18	3C1B9	standard Buna N seal
	3C1B9-5	optional Neoprene seal
	3C1B9-7	optional Viton seal
	3C1B9-8	optional EPR seal
18A	P206-36-S	retaining ring
19	P701-222-37	standard Buna N O ring
	P701-222-57	optional Neoprene O ring
	P701-222-77	optional Viton O ring
	P701-222-87	optional EPR O ring
20	3C2B68	mechanical seal gland
	P612-20	bushing only
21	P105-115	bolt (5)
22	3C81	optional mounting foot

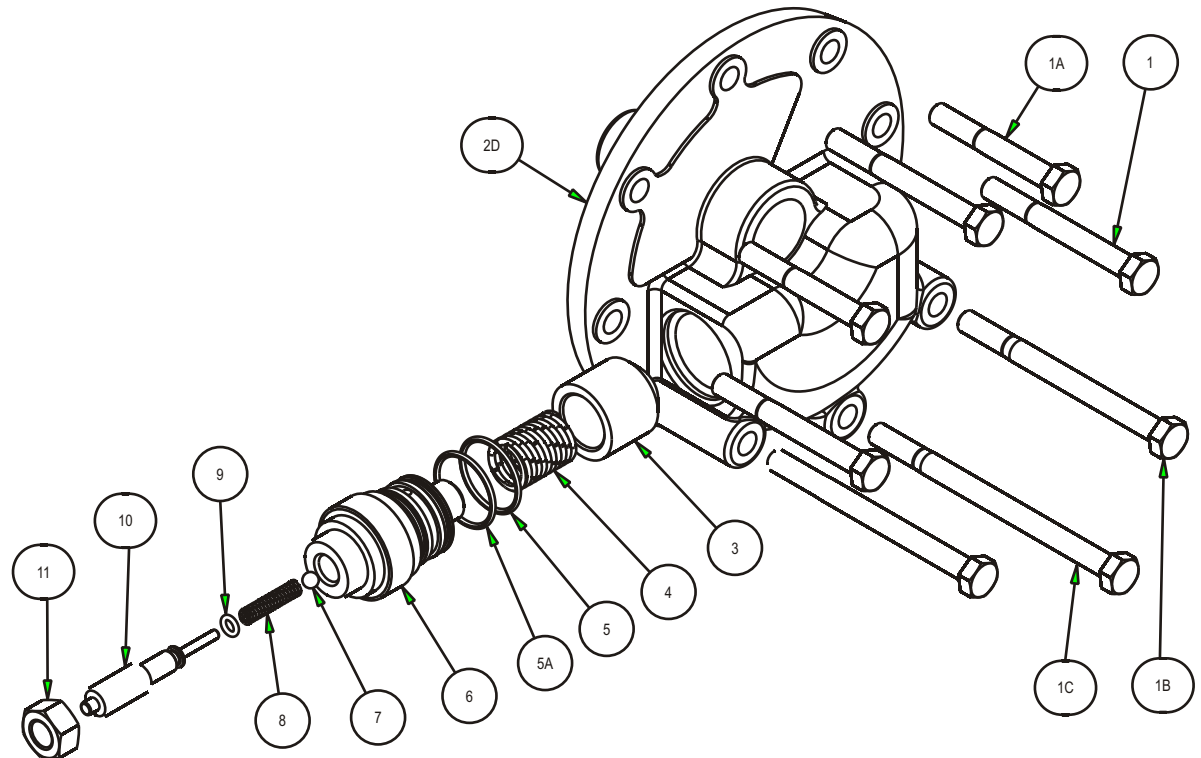


TUTHILL PUMP GROUP - LUBETECH PARTS LIST

item	part number	description
1	P101-13-H	bolt (3)
1A	P101-4-H	bolt (2)
1B	P101-15-H	bolt (2)
1C	P101-22-H	bolt (1)
	P802-4	lockwasher for above (8)
2D	4C2V6-C	clockwise cover assy
	4C2V6-CC	counterclockwise assy
	4M31	idler pin only
3	3CV58-X775	plunger
4	3CV63-4	spring 30-225 psi (std)
	3CV63-5	spring 20-150 psi
	3CV63-6	spring 45-250 psi
5	P701-129-37	standard Buna N O ring
	P701-129-57	optional Neoprene O ring
	P701-129-77	optional Viton O ring
	P701-129-87	optional EPR O ring
5A	P701-127-37	standard Buna N O ring
	P701-127-57	optional Neoprene O ring
	P701-127-77	optional Viton O ring
	P701-127-87	optional EPR O ring
6	3CV56	plug
7	P350-5	ball
8	3CV63	pilot spring
9	P701-10-37	standard Buna N O ring
	P701-10-57	optional Neoprene O ring
	P701-10-77	optional Viton O ring
	P701-10-87	optional EPR O ring
10	3CV527	adjusting screw
11	P203-15	nut

4C2B

Relief Valve Option



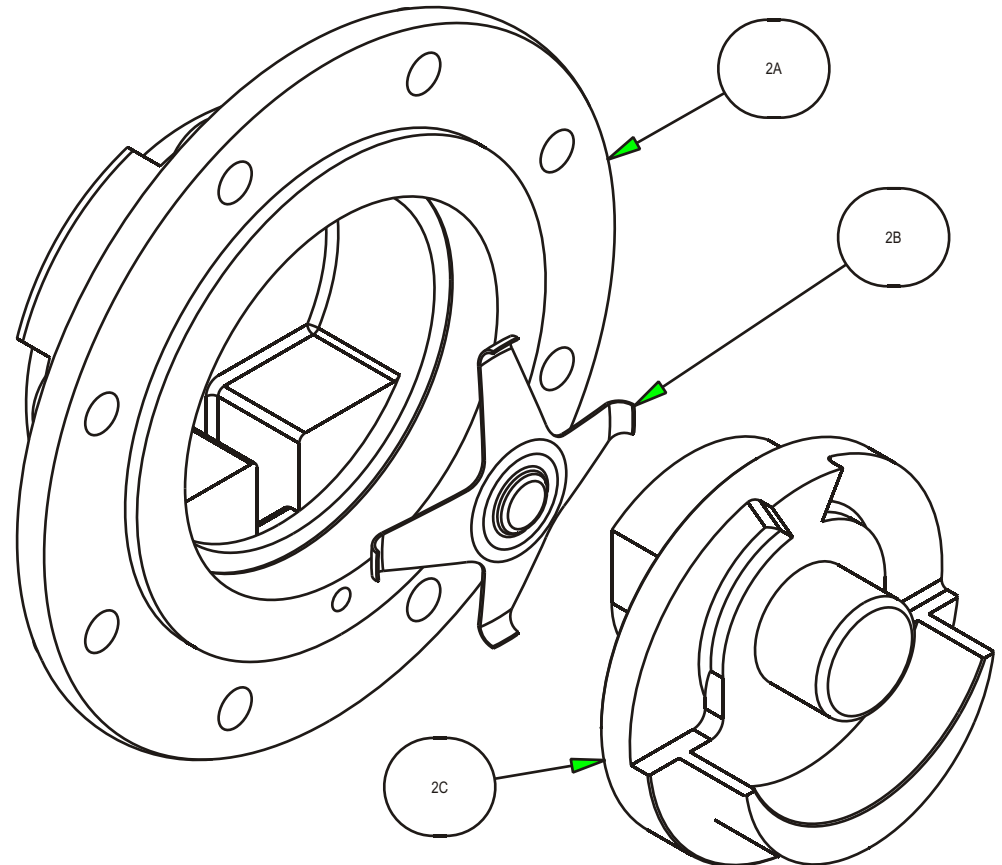


TUTHILL PUMP GROUP - LUBETECH PARTS LIST

item	part number	description
2A	3RU35	cover
2B	3R80-A	spring
2C	4R6	carrier assembly
	4R31	idler pin only
14A	3RCU22-1.2	housing (housing not shown)

4C2B

Reversing Option





4C2B

Ball Bearing Option

item	part number	description
20A	3C2BN68	mechanical seal gland
20B	P602-18	ball bearing
21	P105-115	bolt (5)

