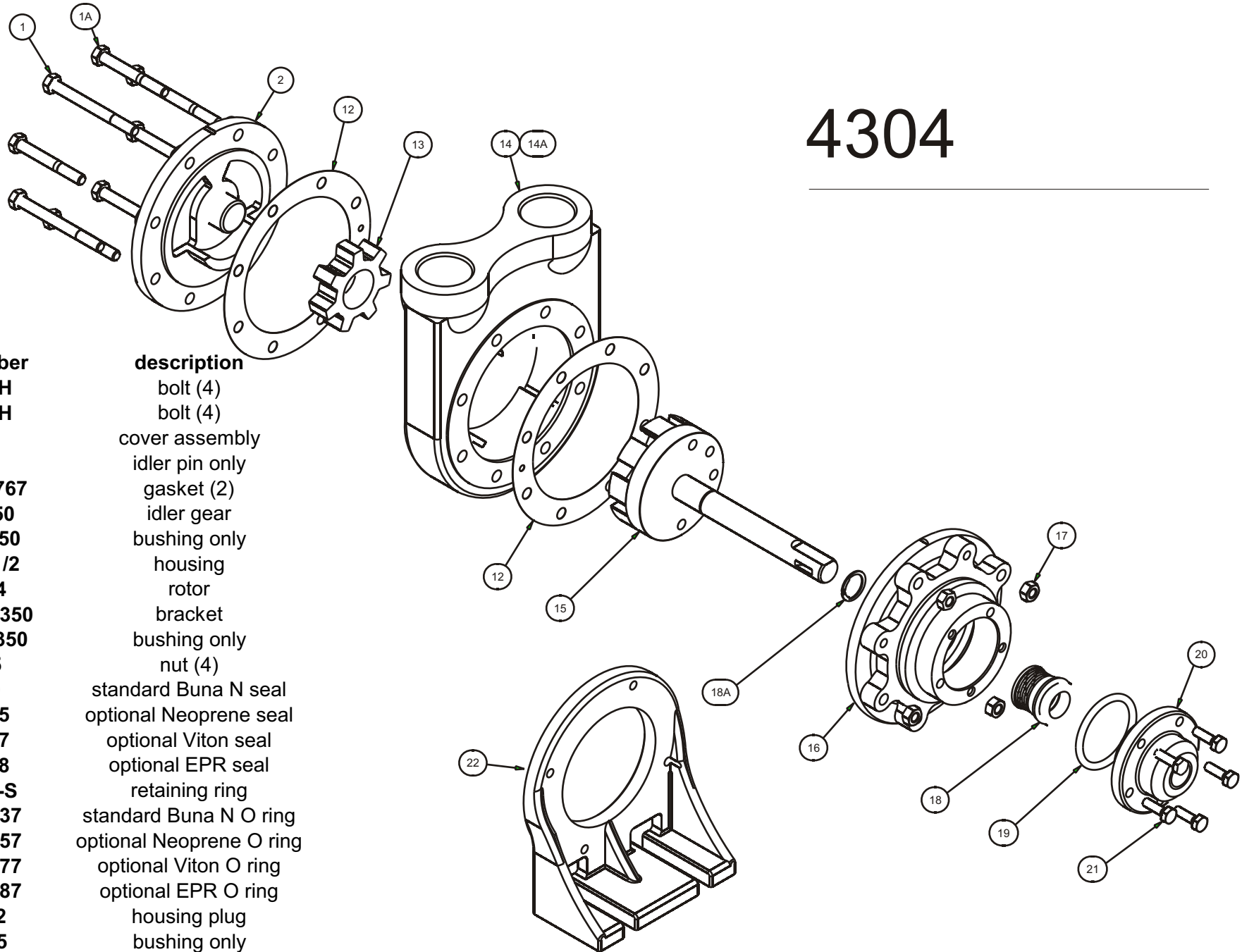




TUTHILL PUMP GROUP - LUBETECH PARTS LIST

4304



item	part number	description
1	P101-2-H	bolt (4)
1A	P101-5-H	bolt (4)
2	4M6	cover assembly
	4M31	idler pin only
12	3M34-JX767	gasket (2)
13	4M5-8350	idler gear
	4M33-8350	bushing only
14	4C22-1-1/2	housing
15	4C1B24	rotor
16	3C1B2A-8350	bracket
	3MR71-8350	bushing only
17	P203-5	nut (4)
18	3C1B9	standard Buna N seal
	3C1B9-5	optional Neoprene seal
	3C1B9-7	optional Viton seal
	3C1B9-8	optional EPR seal
18A	P206-36-S	retaining ring
19	P701-98-37	standard Buna N O ring
	P701-98-57	optional Neoprene O ring
	P701-98-77	optional Viton O ring
	P701-98-87	optional EPR O ring
20	3C1B12	housing plug
	P612-15	bushing only
21	P100-7-H	bolt (5)
22	3C81	optional mounting foot



TUTHILL PUMP GROUP - LUBETECH PARTS LIST

item	part number	description
1	P101-2-H	bolt (2)
1B	P101-22-H	bolt (2)
1C	P101-23-H	bolt (1)
1D	P101-5-H	bolt (3)
2D	4CV6-C	clockwise cover assy
	4CV6-CC	counterclockwise assy
	4M31	idler pin only
3	3CV58-X775	plunger
4	3CV63-4	spring 30-225 psi (std)
	3CV63-5	spring 20-150 psi
	3CV63-6	spring 45-250 psi
5	P701-129-37	standard Buna N O ring
	P701-129-57	optional Neoprene O ring
	P701-129-77	optional Viton O ring
	P701-129-87	optional EPR O ring
5A	P701-127-37	standard Buna N O ring
	P701-127-57	optional Neoprene O ring
	P701-127-77	optional Viton O ring
	P701-127-87	optional EPR O ring
6	3CV56	plug
7	P350-5	ball
8	3CV63	pilot spring
9	P701-10-37	standard Buna N O ring
	P701-10-57	optional Neoprene O ring
	P701-10-77	optional Viton O ring
	P701-10-87	optional EPR O ring
10	3CV527	adjusting screw
11	P203-15	nut

4304

Relief Valve Option

