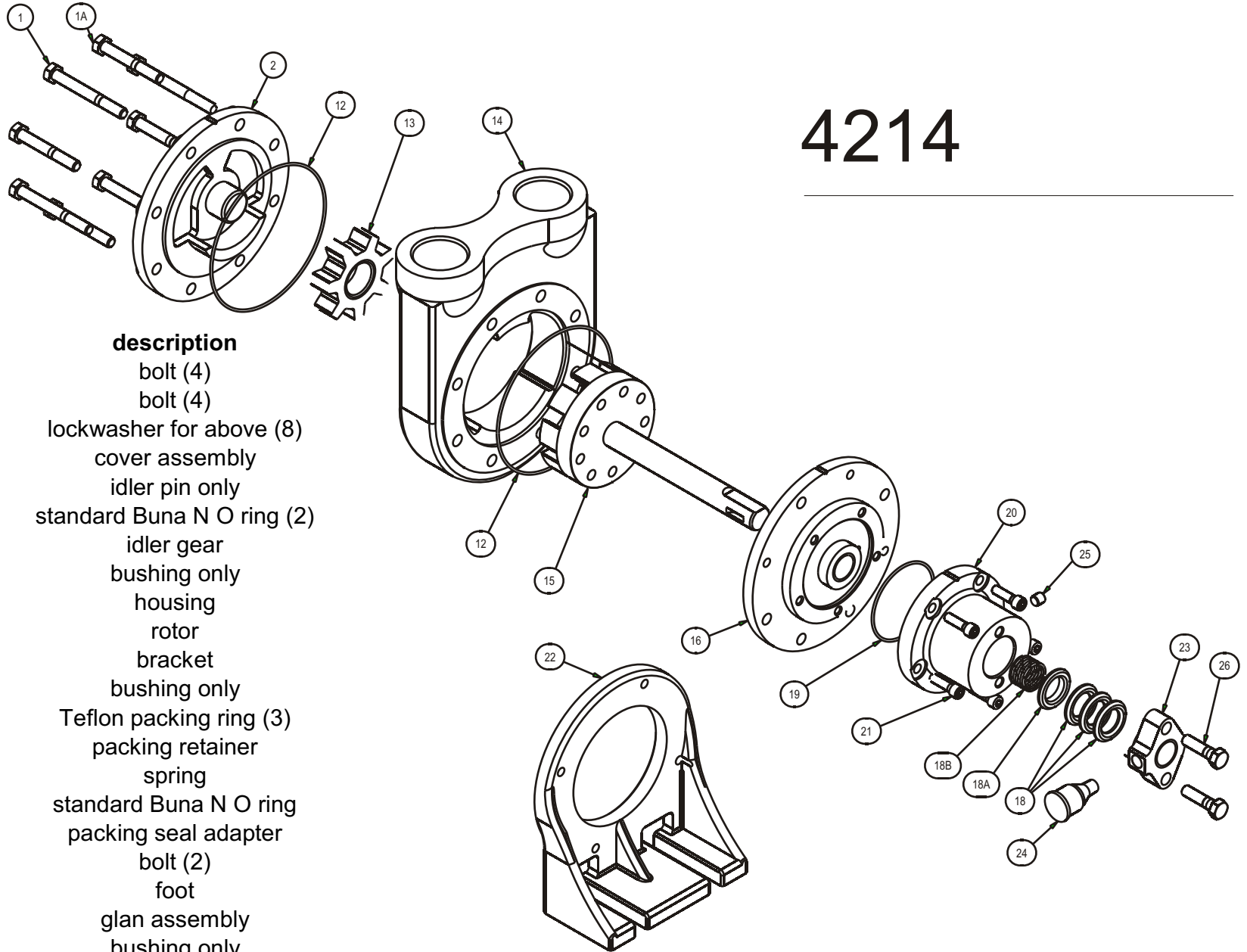




TUTHILL PUMP GROUP - LUBETECH PARTS LIST

4214



item	part number	description
1	P101-13-H	bolt (4)
1A	P101-4-H	bolt (4)
	P802-4	lockwasher for above (8)
2	4MU6 4M31	cover assembly idler pin only
12	P701-221-37	standard Buna N O ring (2)
13	4M5-8350 4M33-8350	idler gear bushing only
14	4CU22-1.5	housing
15	4CG24	rotor
16	3C2F2-CR 3CF71-8350	bracket bushing only
18	3CG94-6	Teflon packing ring (3)
18A	3CG92	packing retainer
18B	3CN73-OS	spring
19	P701-222-37	standard Buna N O ring
20	3C2G68	packing seal adapter
21	P105-115	bolt (2)
22	3C81	foot
23	3CG7 3CG70	glan assembly bushing only
24	P300-1	grease cup
25	P400-18	pipe plug
26	P101-8-H P802-4	bolt (2) lockwasher for above (2)



TUTHILL PUMP GROUP - LUBETECH PARTS LIST

item	part number	description
1	P101-13-H	bolt (3)
1A	P101-15-H	bolt (2)
1B	P101-4-H	bolt (2)
1C	P101-22-H	bolt
2D	4C2V6-C	clockwise cover assy
	4C2V6-CC	counterclockwise assy
	4M31	idler pin only
3	3CV58-X775	plunger
4	3CV63-4	spring 30-225 psi (std)
	3CV63-5	spring 20-150 psi
	3CV63-6	spring 45-250 psi
5	P701-129-37	standard Buna N O ring
5A	P701-127-37	standard Buna N O ring
6	3CV56	plug
7	P350-5	ball
8	3CV63	pilot spring
9	P203-15	nut
10	P701-10-37	standard Buna N O ring
11	3CV527	adjusting screw

4214

Relief Valve Option

