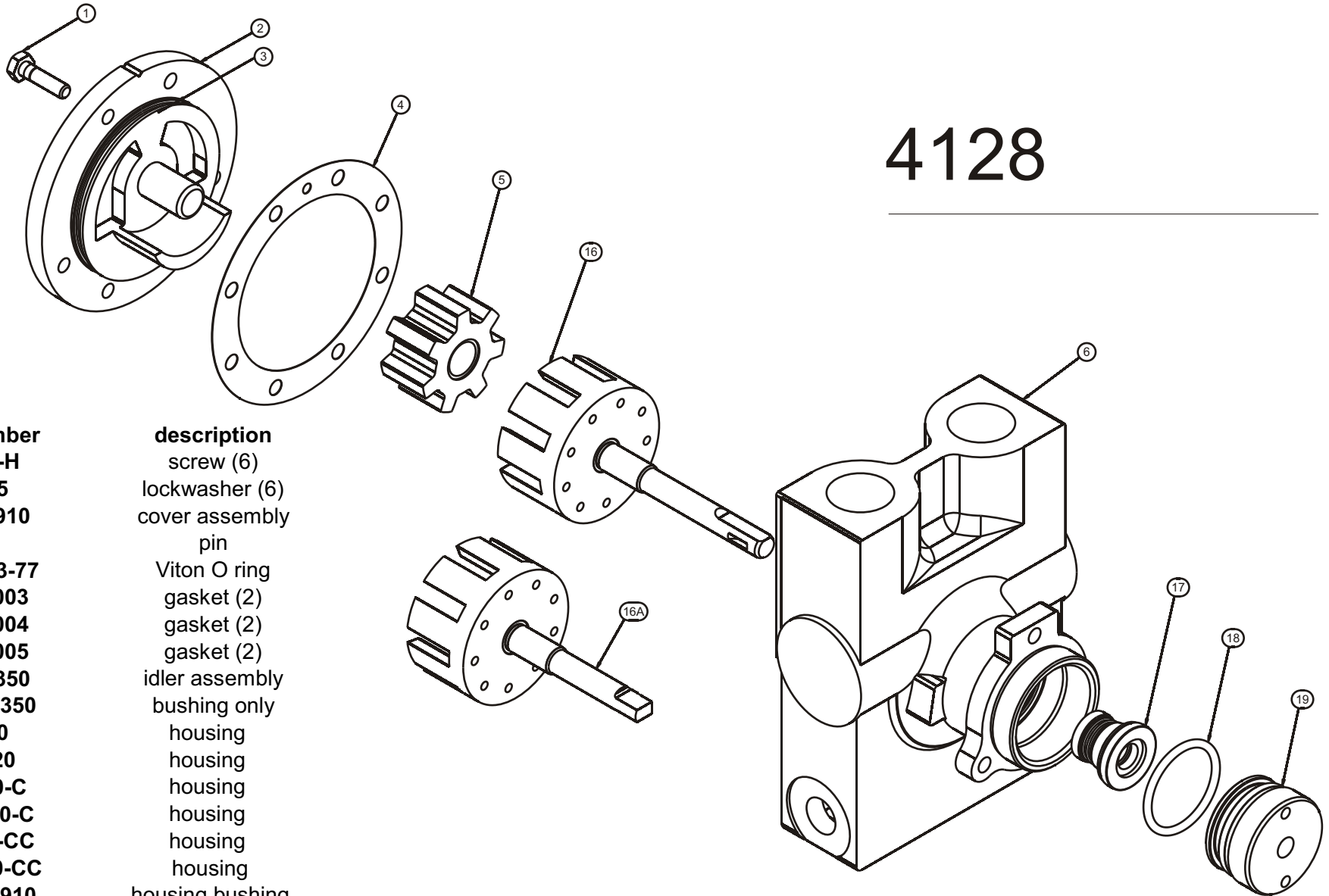




TUTHILL PUMP GROUP - LUBETECH PARTS LIST

4128



item	part number	description
1	P100-6-H P802-5	screw (6) lockwasher (6)
2	5LE6-8910 2R31	cover assembly pin
3	P701-173-77	Viton O ring
4	2M34-.003 2M34-.004 2M34-.005	gasket (2) gasket (2) gasket (2)
5	5LE5-8350 5LE33-8350	idler assembly bushing only
6	5LE20 5LES20 5LEV20-C 5LESV20-C 5LEV20-CC 5LESV20-CC 5LE71-8910	housing housing housing housing housing housing housing bushing
16	5LE24-8910	rotor
16a	5LE24-A-8910	modification "A" rotor
17	1LA9-7-8910	Viton seal
18	P701-34-77	Viton O ring
19	1LA11	housing plug

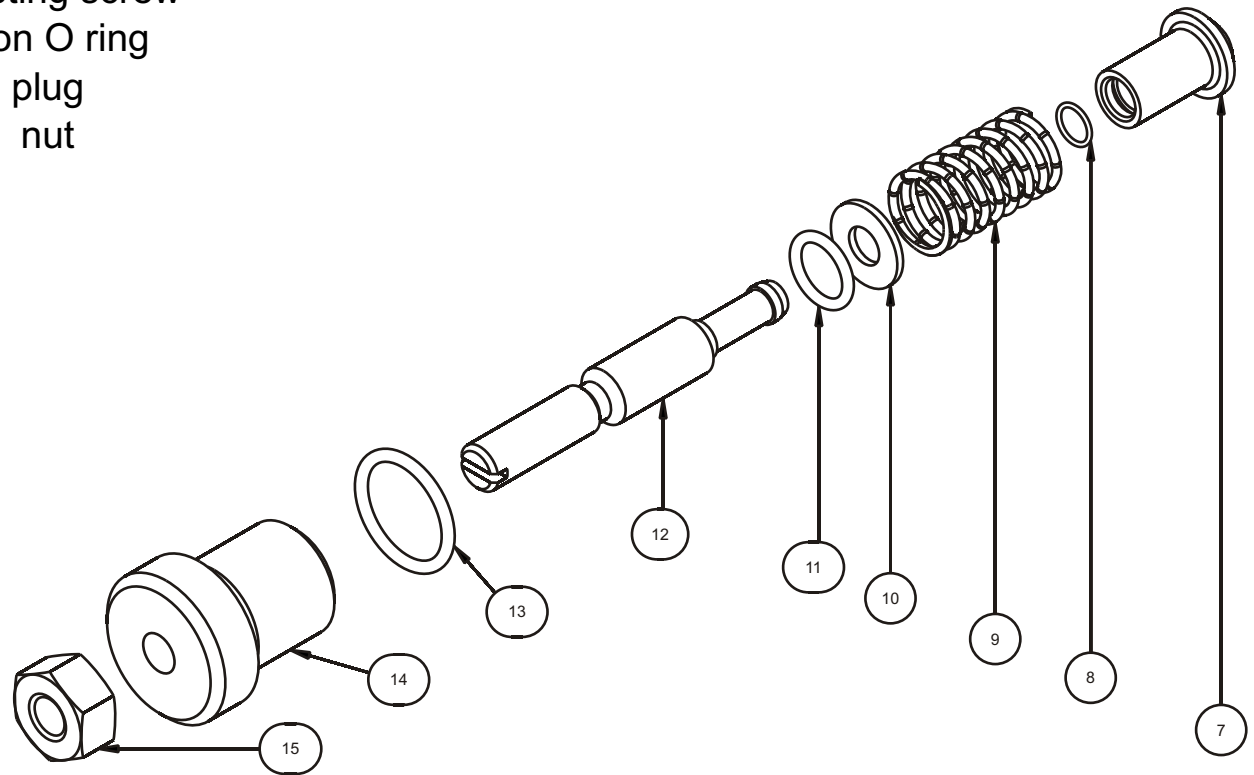


TUTHILL PUMP GROUP - LUBETECH PARTS LIST

item	part number	description
7	5LEV58	plunger
8	5LEV77	retainer
9	P615-14	standard spring (40-70)
	5LE63	optional spring (70-225)
10	P800-9	valve cap gasket
11	P701-14-77	Viton O ring
12	5LEV527	adjusting screw
13	P701-129-77	Viton O ring
14	5LEV56	plug
15	30LE528	nut

4128

Relief Valve Option





4128

Ball Bearing Option

item	part number	description
19a	1LAK37	housing plug (K)
19b	0LK511-E	ball bearing (K)

