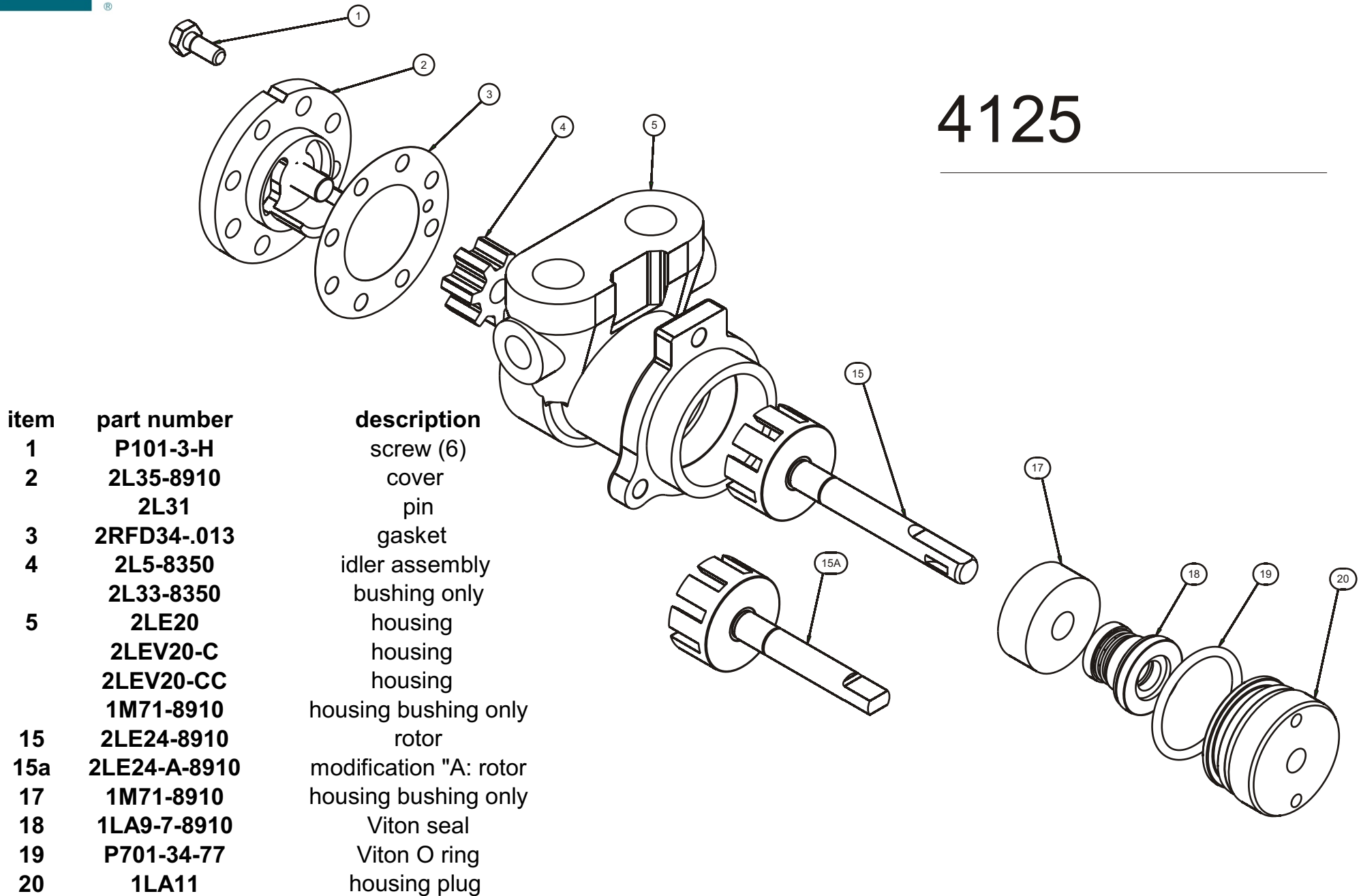




TUTHILL PUMP GROUP - LUBETECH PARTS LIST

4125



| item | part number | description |
|------|--------------|-------------------------|
| 1 | P101-3-H | screw (6) |
| 2 | 2L35-8910 | cover |
| | 2L31 | pin |
| 3 | 2RFD34-.013 | gasket |
| 4 | 2L5-8350 | idler assembly |
| | 2L33-8350 | bushing only |
| 5 | 2LE20 | housing |
| | 2LEV20-C | housing |
| | 2LEV20-CC | housing |
| | 1M71-8910 | housing bushing only |
| 15 | 2LE24-8910 | rotor |
| 15a | 2LE24-A-8910 | modification "A": rotor |
| 17 | 1M71-8910 | housing bushing only |
| 18 | 1LA9-7-8910 | Viton seal |
| 19 | P701-34-77 | Viton O ring |
| 20 | 1LA11 | housing plug |

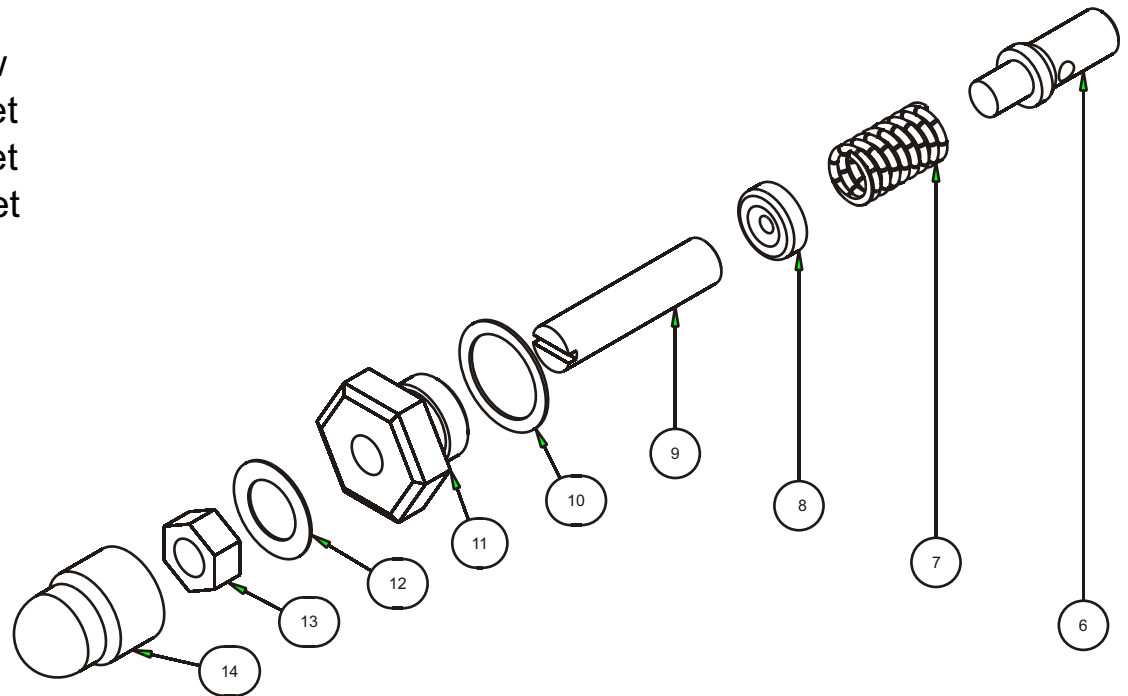


TUTHILL PUMP GROUP - LUBETECH PARTS LIST

| item | part number | description |
|------|-------------|---------------------------|
| 6 | 0LWV58-X201 | plunger |
| 7 | 0LWV63 | standard spring (55-120) |
| | 0C62-X201 | optional spring (25-34) |
| | 0C62-X299 | optional spring (35-54) |
| | 0LWVH63 | optional spring (121-169) |
| | 0LPV63 | optional spring (170-374) |
| | 0LV63X | optional spring (375-500) |
| 8 | 30EN92 | retainer |
| 9 | P103-11 | adjusting screw |
| 10 | 30F64-X201 | valve cap gasket |
| 11 | 0LWV56 | valve cap gasket |
| 12 | 30LE64-A | cap cover gasket |
| 13 | 30LE528 | nut |
| 14 | 30LE56 | acorn nut |

4125

Relief Valve Option





4125

Ball Bearing Option

| item | part number | description |
|------|-------------|------------------|
| 20a | 1LAK37 | housing plug (K) |
| 20b | 0LK511-E | ball bearing (K) |

