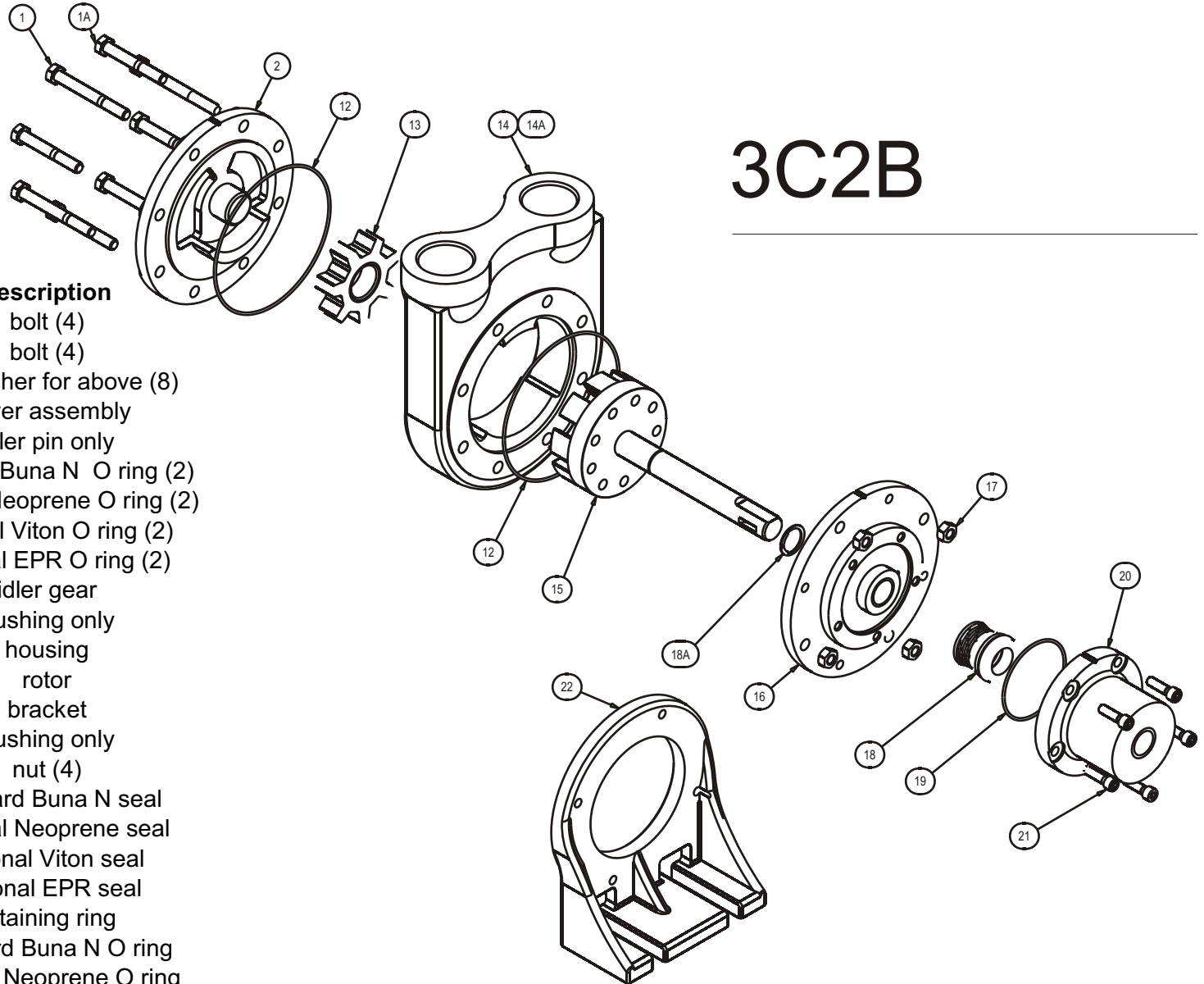




TUTHILL PUMP GROUP - LUBETECH PARTS LIST

3C2B



item	part number	description
1	P101-19-H	bolt (4)
1A	P101-1-H	bolt (4)
	P802-4	lockwasher for above (8)
2	3MU6	cover assembly
	3M31	idler pin only
12	P701-221-37	standard Buna N O ring (2)
	P701-221-57	optional Neoprene O ring (2)
	P701-221-77	optional Viton O ring (2)
	P701-221-87	optional EPR O ring (2)
13	3M5-1	idler gear
	3M33	bushing only
14	3CU22-1.2	housing
15	3C2B24	rotor
16	3C2F2	bracket
	3MR71	bushing only
17	P203-5	nut (4)
18	3C1B9	standard Buna N seal
	3C1B9-5	optional Neoprene seal
	3C1B9-7	optional Viton seal
	3C1B9-8	optional EPR seal
18A	P206-36-S	retaining ring
19	P701-222-37	standard Buna N O ring
	P701-222-57	optional Neoprene O ring
	P701-222-77	optional Viton O ring
	P701-222-87	optional EPR O ring
20	3C2B68	mechanical seal gland
	P612-20	bushing only
21	P105-115	bolt (5)
22	3C81	optional mounting foot

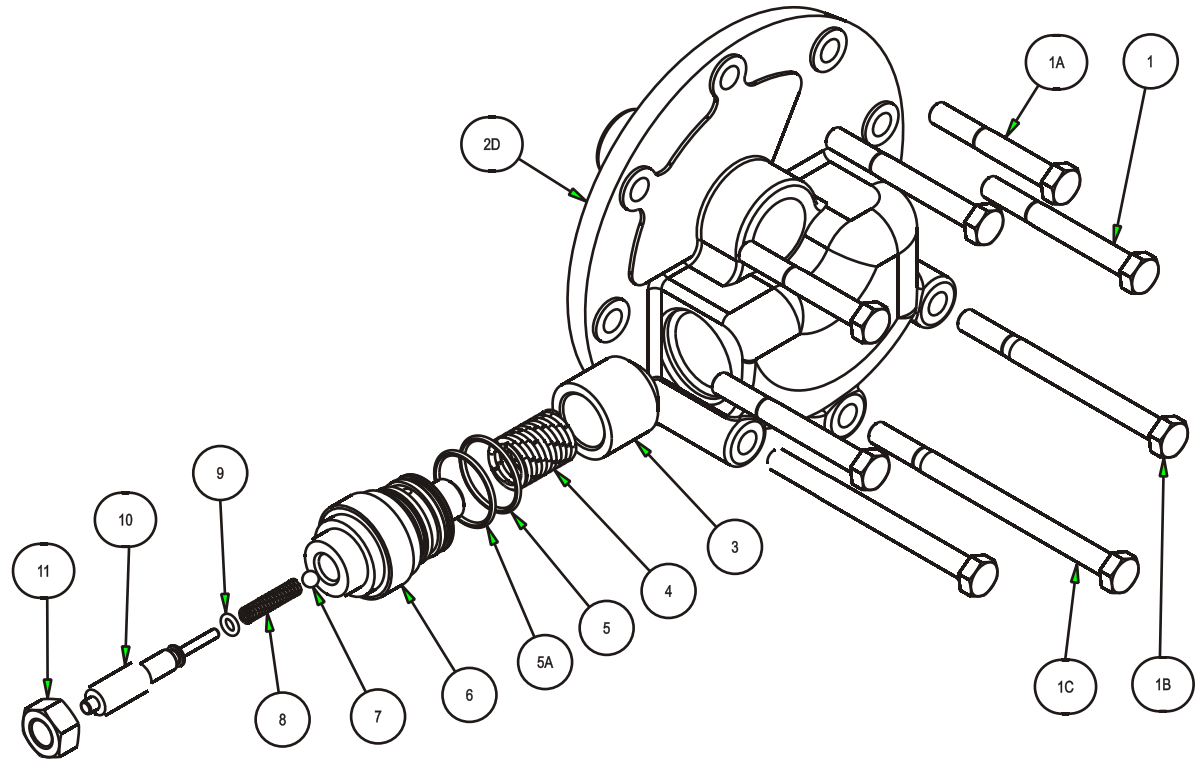


TUTHILL PUMP GROUP - LUBETECH PARTS LIST

3C2B

Relief Valve Option

item	part number	description
1	P101-19-H	bolt (4)
1A	P101-1-H	bolt (4)
	P802-4	lockwasher for above (8)
2	3MU6	cover assembly
	3M31	idler pin only
12	P701-221-37	standard Buna N O ring
	P701-221-57	optional Neoprene O ring
	P701-221-77	optional Viton O ring
	P701-221-87	optional EPDM O ring
13	3M5-1	idler gear
	3M33	bushing only
14	3CU22-1.2	housing
15	3C2B24	rotor
16	3C2F2	bracket
	3MR71	bushing only
17	P203-5	nut (4)
18	3C1B9	standard Buna N seal
	3C1B9-5	optional Neoprene seal
	3C1B9-7	optional Viton seal
	3C1B9-8	optional EPDM seal
18A	P206-36-S	retaining ring
19	P701-222-37	standard Buna N O ring
	P701-222-57	optional Neoprene O ring
	P701-222-77	optional Viton O ring
	P701-222-87	optional EPDM O ring
20	3C2B68	mechanical seal gland
	P612-20	bushing only
21	P105-115	bolt (5)
22	3C81	optional mounting foot

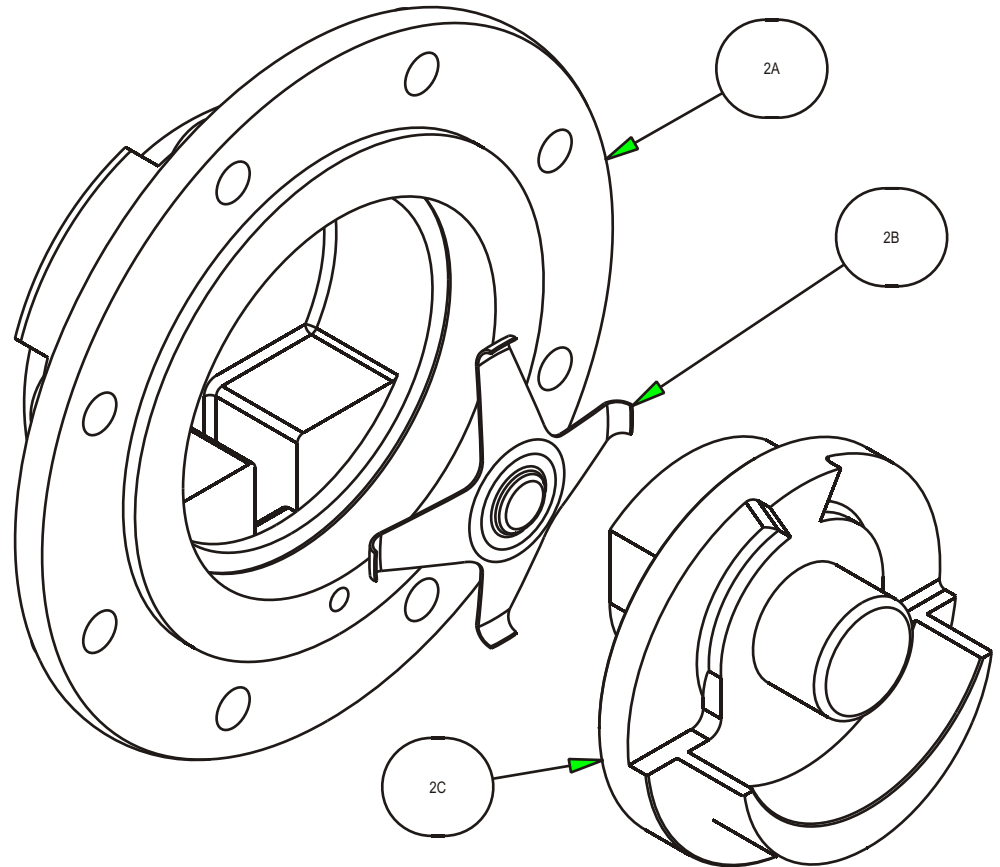




3C2B

Reversing Option

item	part number	description
2A	3RU35	cover
2B	3R80-A	spring
2C	3R6	carrier assembly
	3R31	idler pin only
14A	3RCU22-1.2	housing (housing not shown)





3C2B

Ball Bearing Option

item	part number	description
20A	3C2BN68	mechanical seal gland
20B	P602-18	ball bearing
21	P105-115	bolt (5)

