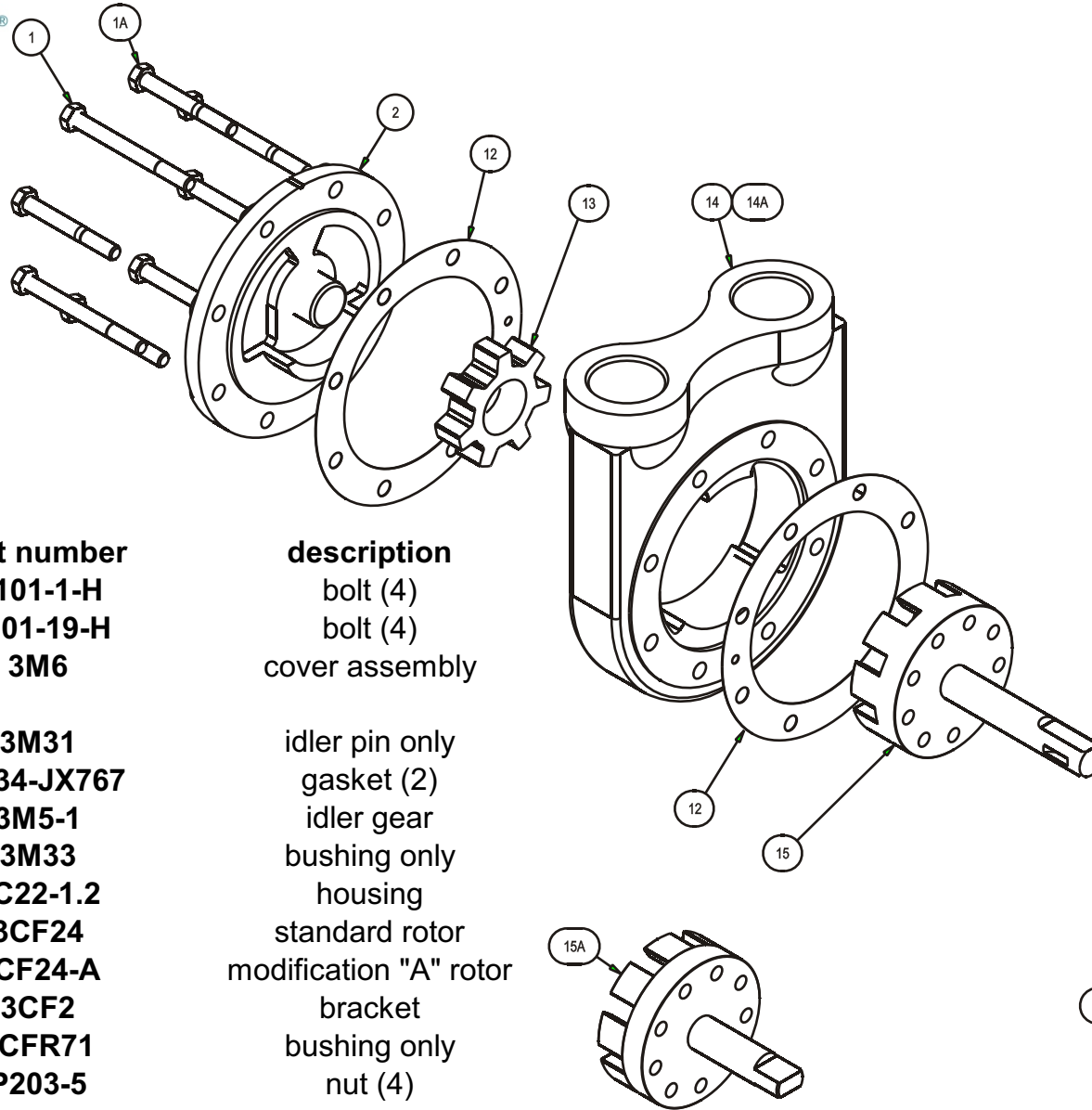




TUTHILL PUMP GROUP - LUBETECH PARTS LIST

3C1F



item	part number	description
1	P101-1-H	bolt (4)
1A	P101-19-H	bolt (4)
2	3M6	cover assembly
	3M31	idler pin only
12	3M34-JX767	gasket (2)
13	3M5-1	idler gear
	3M33	bushing only
14	3C22-1.2	housing
15	3CF24	standard rotor
15A	3CF24-A	modification "A" rotor
16	3CF2	bracket
	3CFR71	bushing only
17	P203-5	nut (4)
18	3CF94	standard Buna N seal
	3CF94-7	optional Viton seal
19	3CF74	gasket
20	3CF68	housing cap
21	P100-21-H	bolt (3)

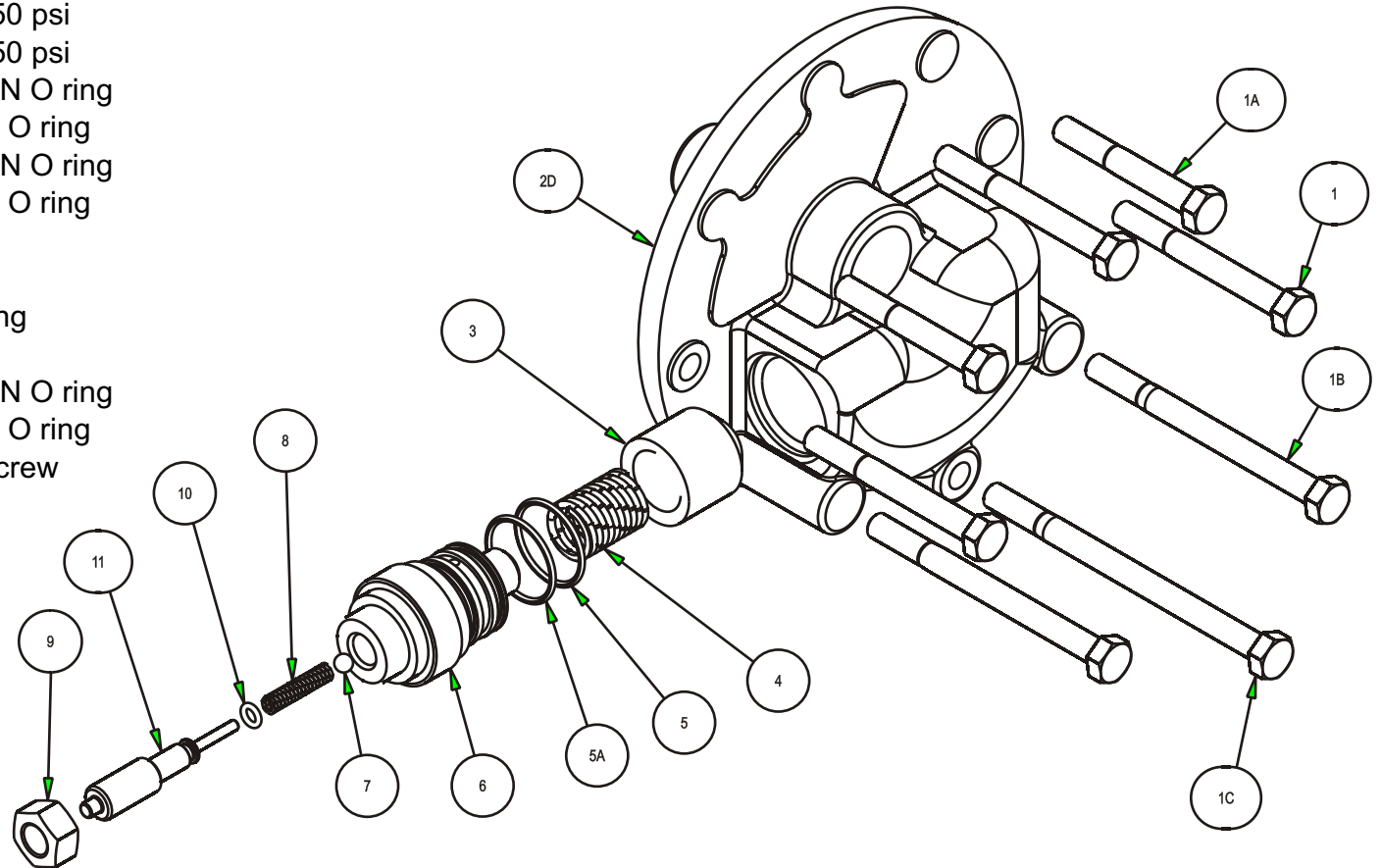


TUTHILL PUMP GROUP - LUBETECH PARTS LIST

item	part number	description
1	P101-19-H	bolt (3)
1A	P101-1-H	bolt (2)
1B	3CV508	bolt (2)
1C	P101-15-H	bolt (1)
2D	3CV6-C	clockwise cover assy
	3CV6-CC	counterclockwise assy
	3M31	idler pin only
3	3CV58-X775	plunger
4	3CV63-4	spring 30-225 psi (std)
	3CV63-5	spring 20-150 psi
	3CV63-6	spring 45-250 psi
5	P701-129-37	standard Buna N O ring
	P701-129-77	optional Viton O ring
5A	P701-127-37	standard Buna N O ring
	P701-127-77	optional Viton O ring
6	3CV56	plug
7	P350-5	ball
8	3CV63	pilot spring
9	P203-15	nut
10	P701-10-37	standard Buna N O ring
	P701-10-77	optional Viton O ring
11	3CV527	adjusting screw

3C1F

Relief Valve Option

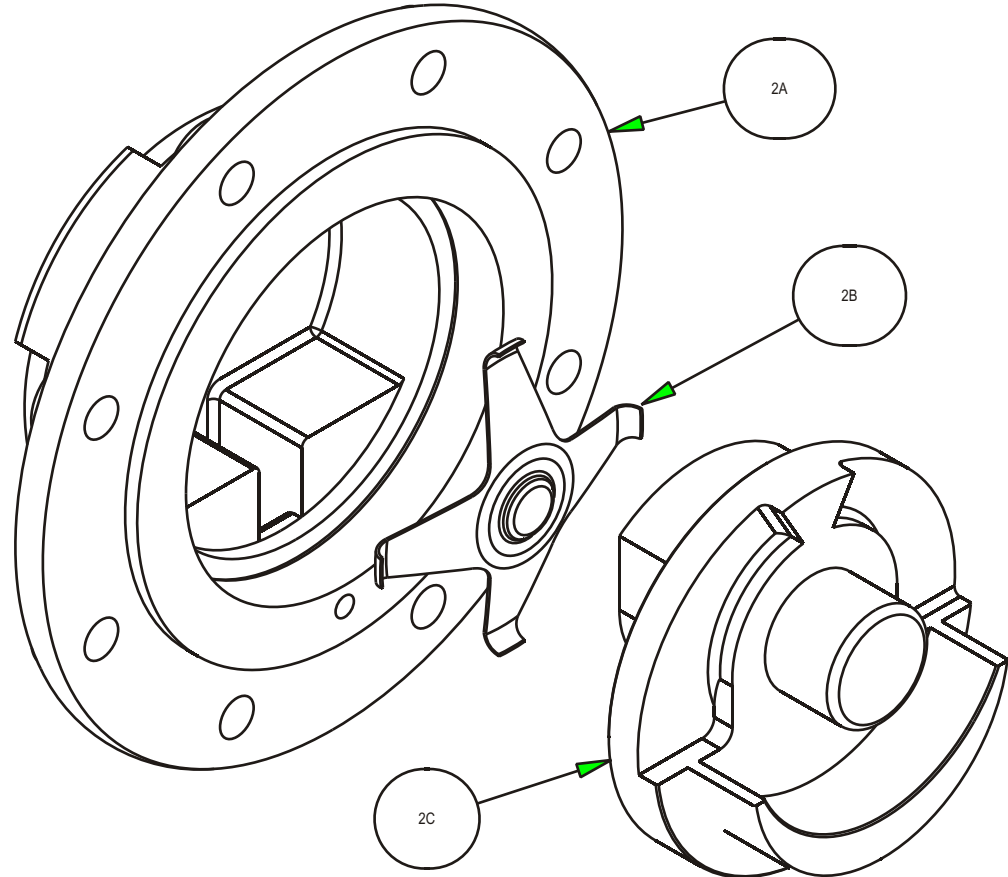




3C1F

Reversing Option

item	part number	description
2A	3R35	cover
2B	3R80-A	spring
2C	3R6	carrier assembly
	3R31	idler pin only
14A	3RC22-1-1/4	housing (housing not shown)





3C1F

Ball Bearing Option

item	part number	description
20A	3CEN68	bearing cap
20B	P602-18	ball bearing
21A	P100-7-H	bolt (3)

