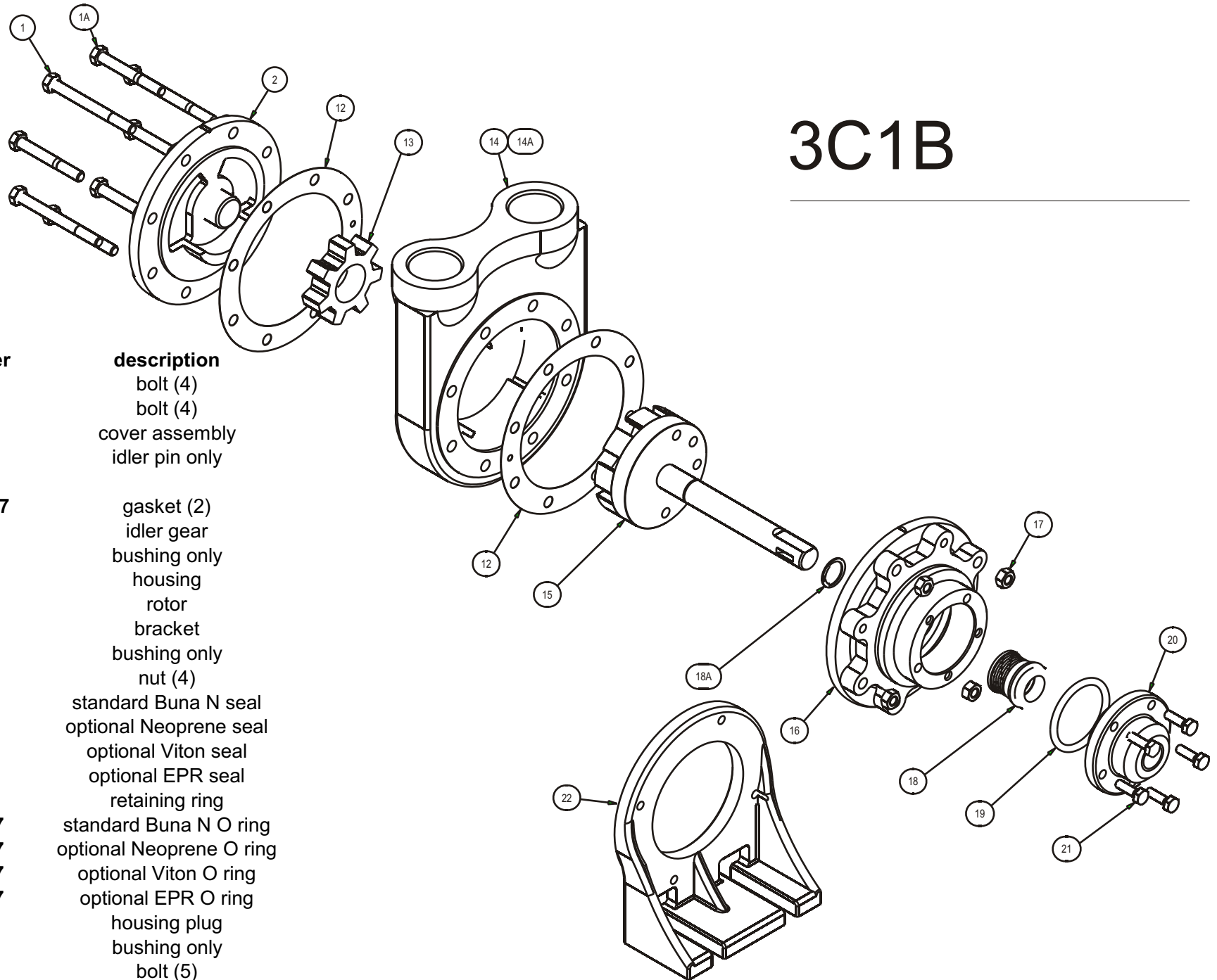




# TUTHILL PUMP GROUP - LUBETECH PARTS LIST

## 3C1B



item	part number	description
1	P101-2-H	bolt (4)
1A	P101-11-H	bolt (4)
2	3M6 3M31	cover assembly idler pin only
12	3M34-JX767	gasket (2)
13	3M5-1 3M33	idler gear bushing only
14	3C22-1.2	housing
15	3C1B24	rotor
16	3C1B2A 3MR71	bracket bushing only
17	P203-5	nut (4)
18	3C1B9 3C1B9-5 3C1B9-7 3C1B9-8	standard Buna N seal optional Neoprene seal optional Viton seal optional EPR seal
18A	P206-36-S	retaining ring
19	P701-98-37 P701-98-57 P701-98-77 P701-98-87	standard Buna N O ring optional Neoprene O ring optional Viton O ring optional EPR O ring
20	3C1B12 P612-15	housing plug bushing only
21	P100-7-H	bolt (5)
22	3C81	optional mounting foot

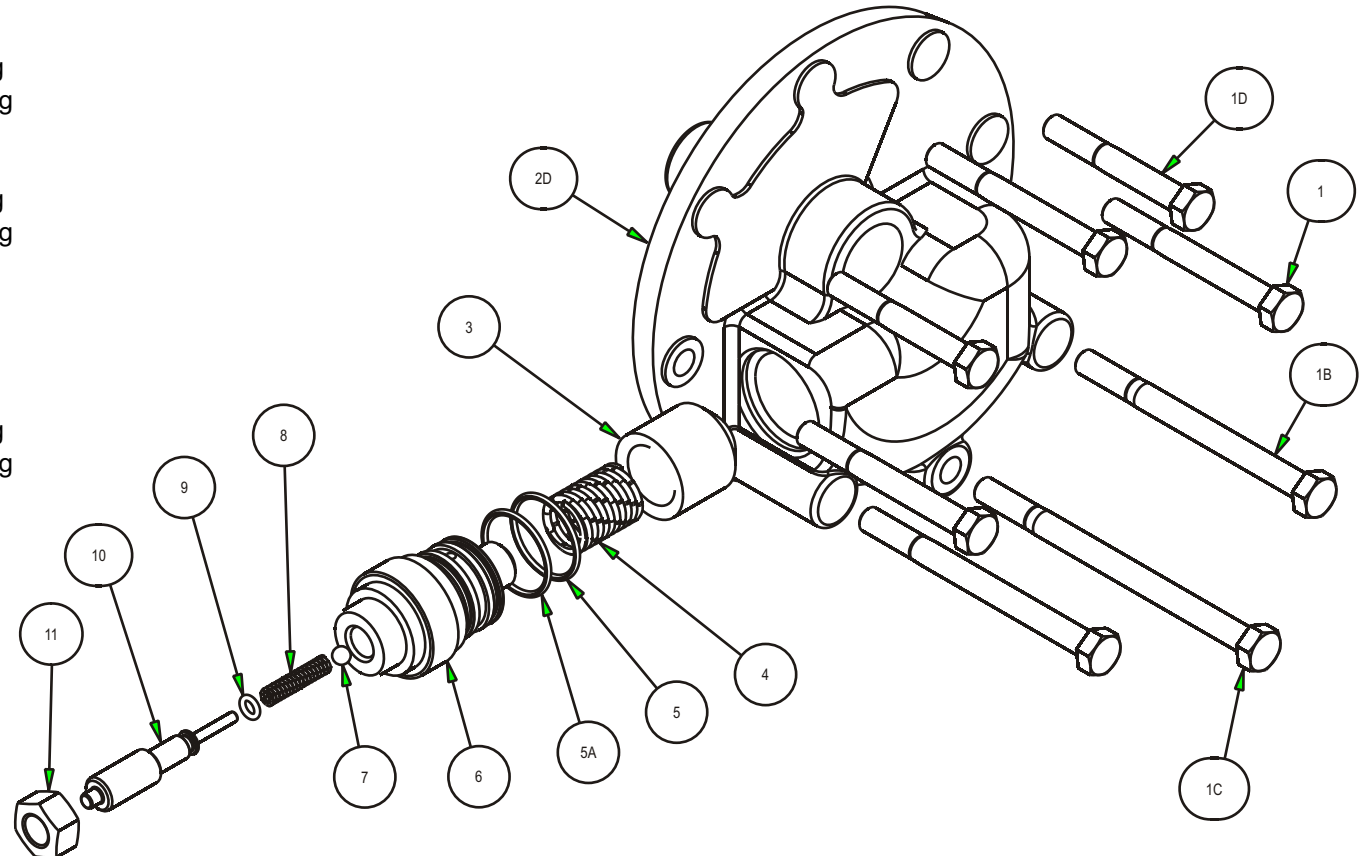


# TUTHILL PUMP GROUP - LUBETECH PARTS LIST

item	part number	description
1	P101-2-H	bolt (3)
1B	P101-26-H	bolt (2)
1C	P101-18-H	bolt (1)
1D	P101-19-H	bolt (2)
2D	3CV6-C	clockwise cover assy
	3CV6-CC	counterclockwise assy
	3M31	idler pin only
3	3CV58-X775	plunger
4	3CV63-4	spring 30-225 psi (std)
	3CV63-5	spring 20-150 psi
	3CV63-6	spring 45-250 psi
5	P701-129-37	standard Buna N O ring
	P701-129-57	optional Neoprene O ring
	P701-129-77	optional Viton O ring
	P701-129-87	optional EPR O ring
5A	P701-127-37	standard Buna N O ring
	P701-127-57	optional Neoprene O ring
	P701-127-77	optional Viton O ring
	P701-127-87	optional EPR O ring
6	3CV56	plug
7	P350-5	ball
8	3CV63	pilot spring
9	P701-10-37	standard Buna N O ring
	P701-10-57	optional Neoprene O ring
	P701-10-77	optional Viton O ring
	P701-10-87	optional EPR O ring
10	3CV527	adjusting screw
11	P203-15	nut

## 3C1B

### Relief Valve Option





## 3C1B

### Reversing Option

item	part number	description
2A	3R35	cover
2B	3R80-A	spring
2C	3R6	carrier assembly
	3R31	idler pin only
14A	3RC22-1-1/4	housing (housing not shown)

