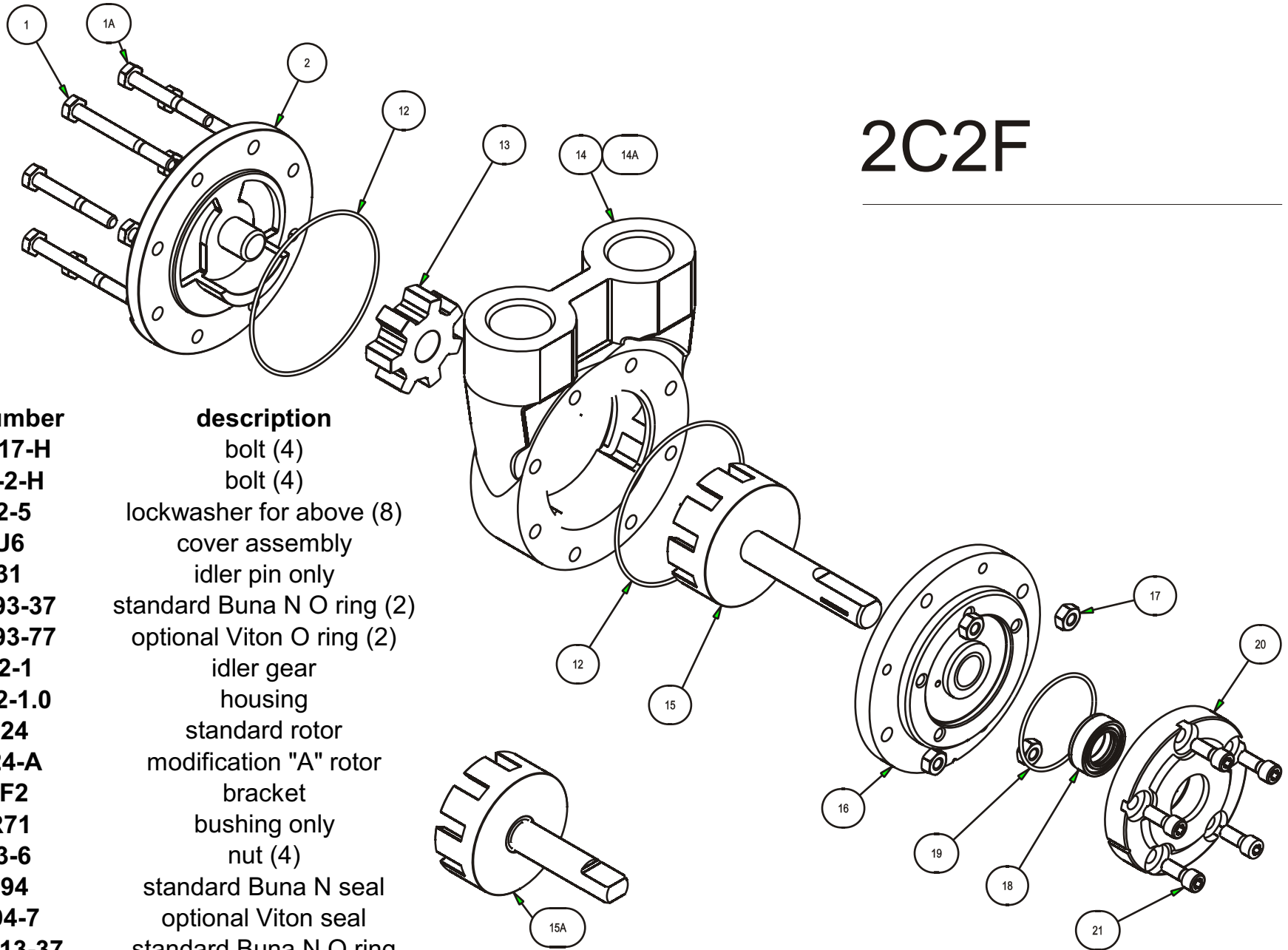




# TUTHILL PUMP GROUP - LUBETECH PARTS LIST

## 2C2F



item	part number	description
1	P100-17-H	bolt (4)
1A	P100-2-H	bolt (4)
2	P802-5	lockwasher for above (8)
	2MU6	cover assembly
	2M31	idler pin only
12	P701-93-37	standard Buna N O ring (2)
	P701-93-77	optional Viton O ring (2)
13	2M32-1	idler gear
14	2CU22-1.0	housing
15	2CF24	standard rotor
15A	2CF24-A	modification "A" rotor
16	2C2F2	bracket
	2MR71	bushing only
17	P203-6	nut (4)
18	2CF94	standard Buna N seal
	2CF94-7	optional Viton seal
19	P701-213-37	standard Buna N O ring
	P701-213-77	optional Viton O ring
20	2C2F68	lip seal gland
21	P104-115	bolt (5)

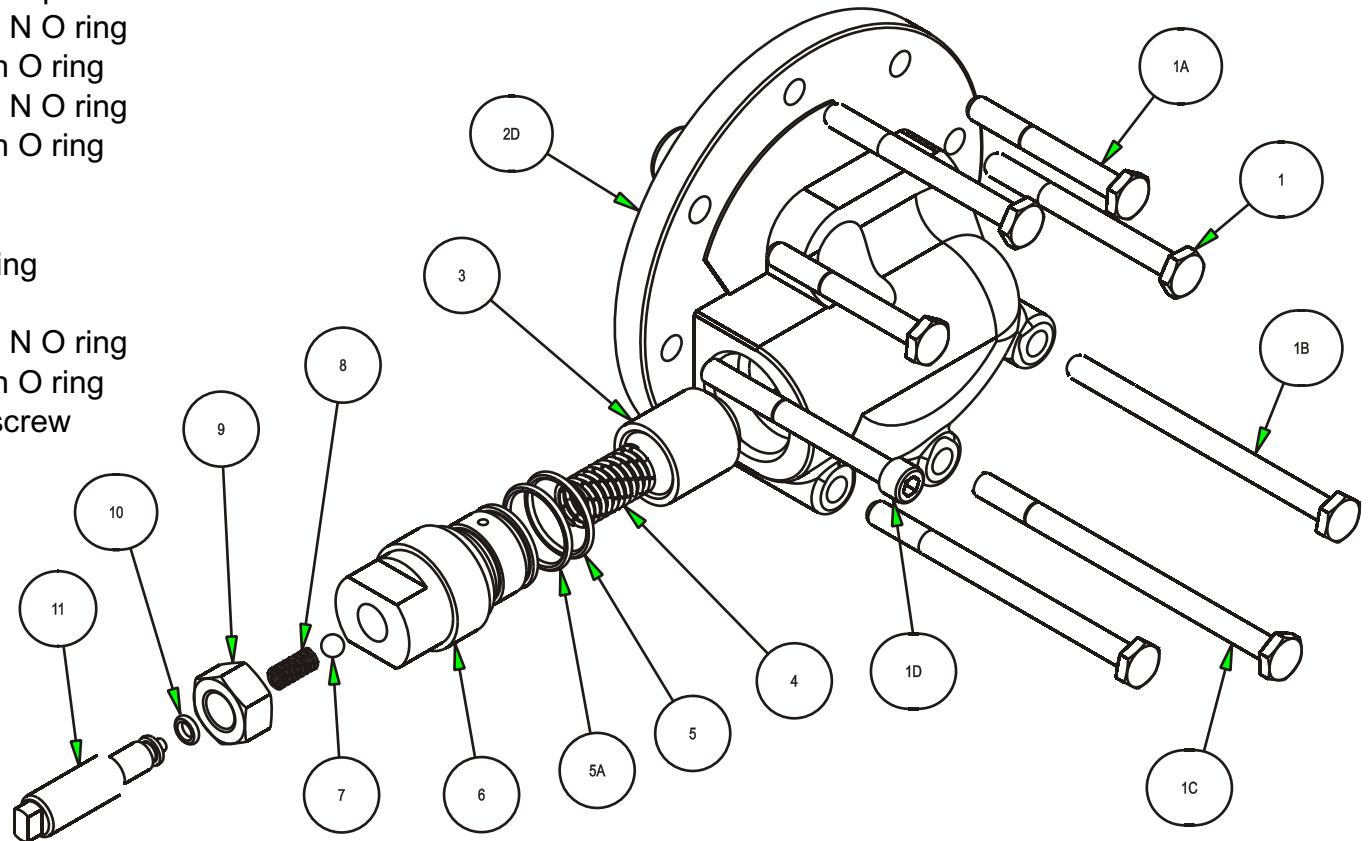


# TUTHILL PUMP GROUP - LUBETECH PARTS LIST

item	part number	description
1	P100-17-H	bolt (2)
1A	P100-2-H	bolt (2)
1B	P100-12-H	bolt (2)
1C	P100-26-H	bolt (1)
1D	P105-88	bolt (1)
2D	2C2V6-C	clockwise cover assy
	2M31	idler pin only
3	2CV58-A	plunger
4	2CV63-2	spring 10-200 psi
5	P701-129-37	standard Buna N O ring
	P701-129-77	optional Viton O ring
5A	P701-92-37	standard Buna N O ring
	P701-92-77	optional Viton O ring
6	2CV56	plug
7	P350-5	ball
8	2CV63-B	pilot spring
9	P203-15	nut
10	P701-10-37	standard Buna N O ring
	P701-10-77	optional Viton O ring
11	2CV527-A	adjusting screw

## 2C2F

### Relief Valve Option

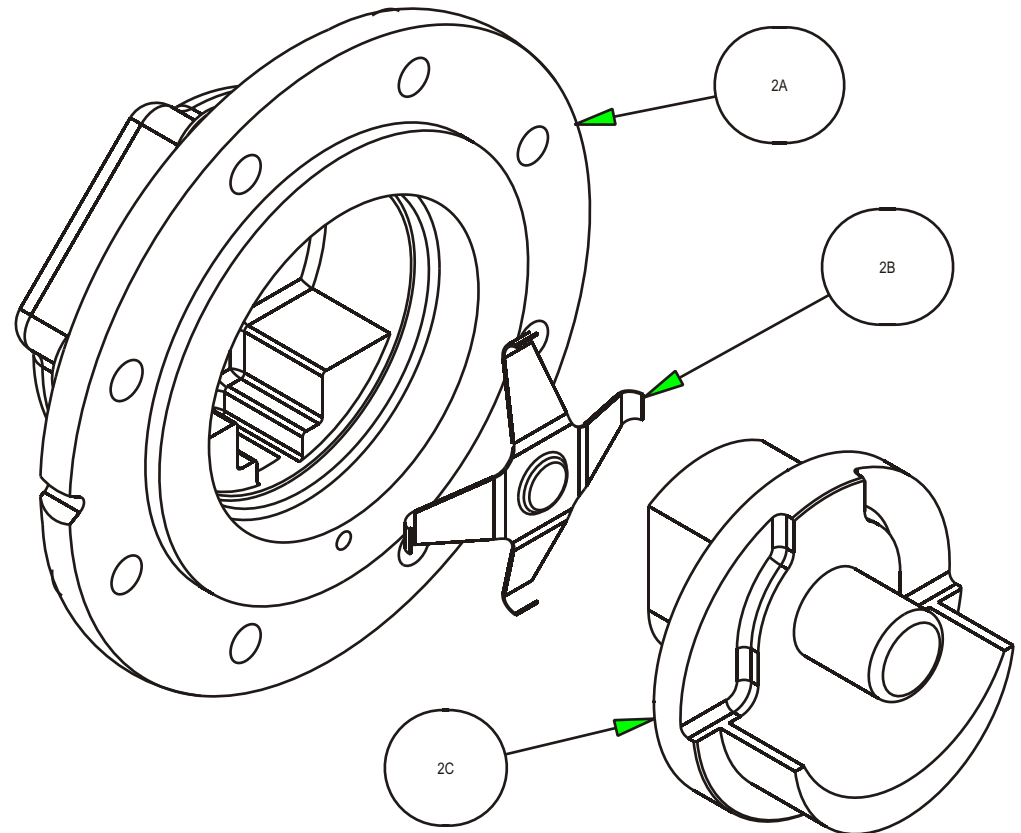




## 2C2F

### Reversing Option

item	part number	description
2A	2RU35	cover
2B	2R80-A	spring
2C	2R6	carrier assembly
	2R31	idler pin only
14A	2RCU22-1.0	housing (housing not shown)





# 2C2F

## Ball Bearing Option

item	part number	description
15	2C24	rotor
20A	2C2FN68	bearing cap
20B	P602-17	ball bearing
21A	P105-115	bolt (3)

