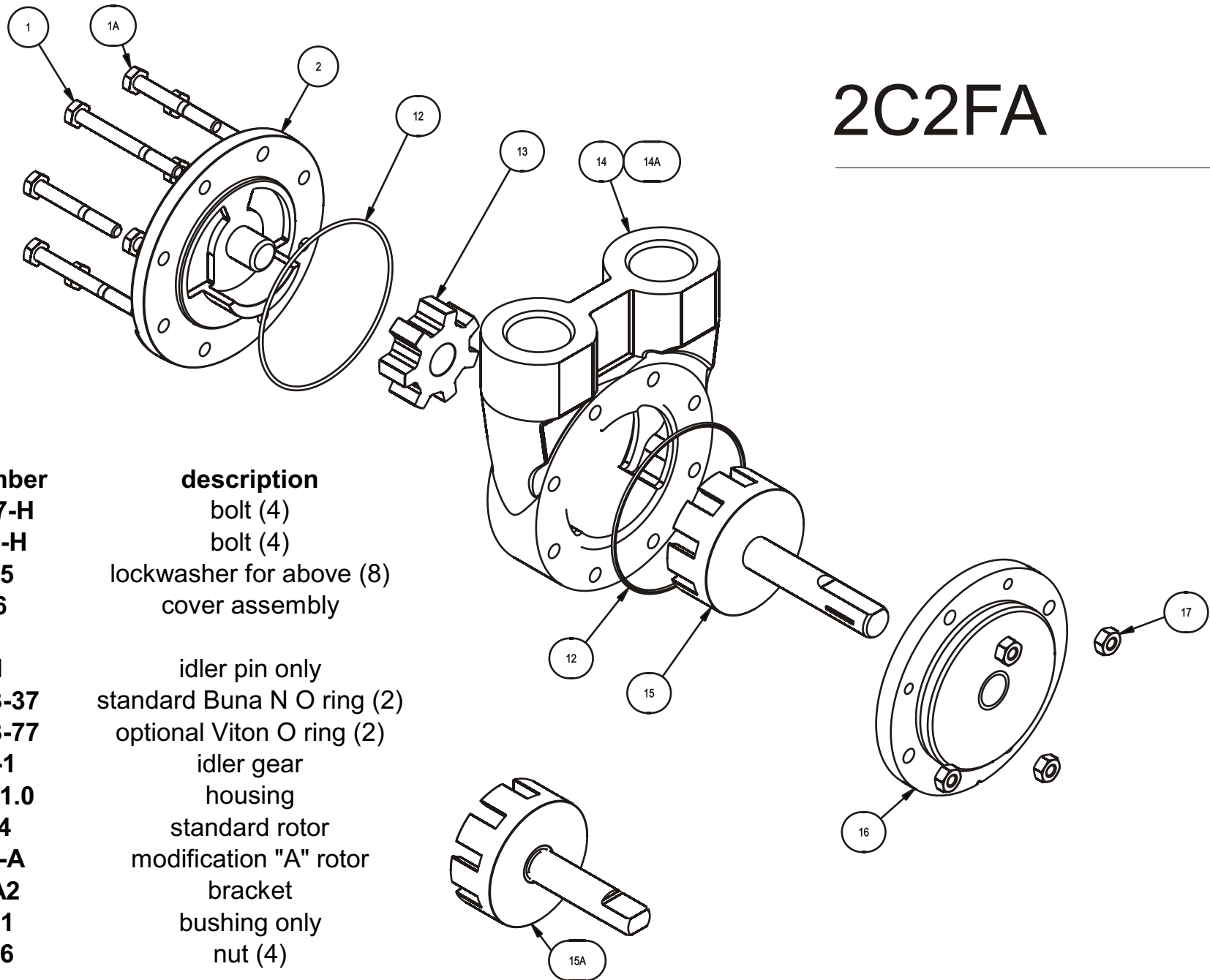




TUTHILL PUMP GROUP - LUBETECH PARTS LIST

2C2FA



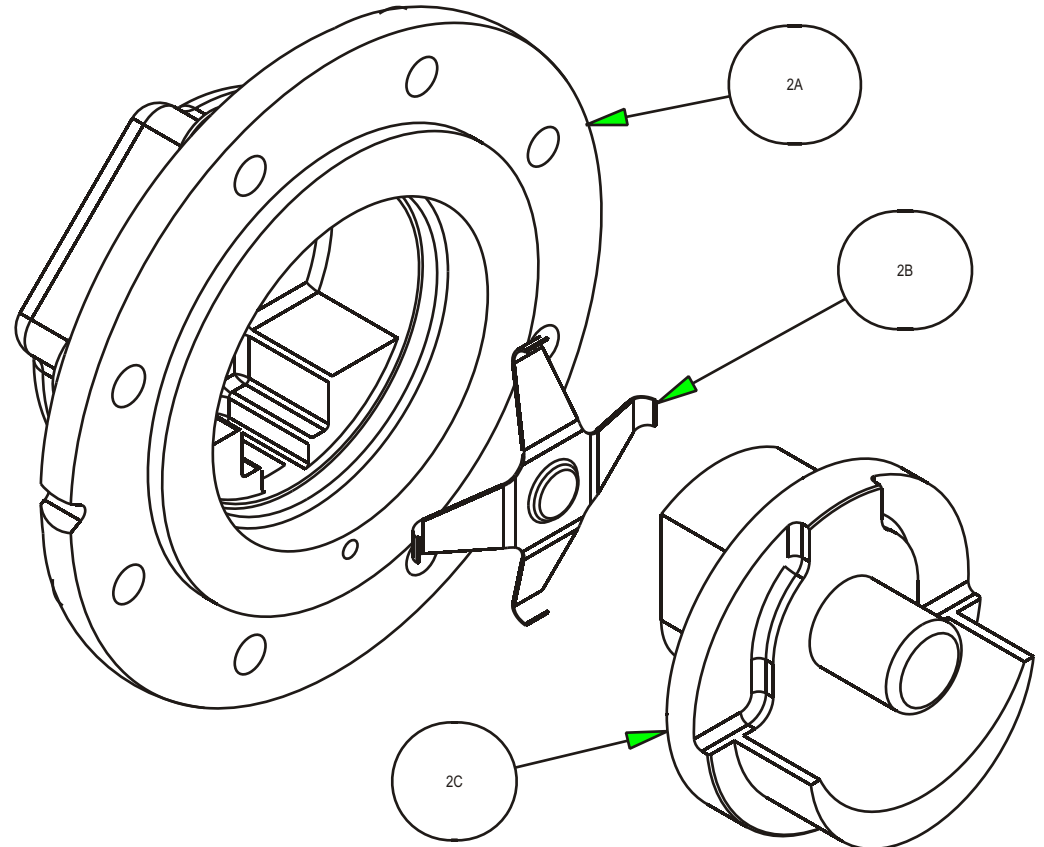
item	part number	description
1	P100-17-H	bolt (4)
1A	P100-2-H	bolt (4)
	P802-5	lockwasher for above (8)
2	2MU6	cover assembly
	2M31	idler pin only
12	P701-93-37	standard Buna N O ring (2)
	P701-93-77	optional Viton O ring (2)
13	2M32-1	idler gear
14	2CU22-1.0	housing
15	2CF24	standard rotor
15A	2CF24-A	modification "A" rotor
16	2C2FA2	bracket
	2MR71	bushing only
17	P203-6	nut (4)



2C2FA

Reversing Option

item	part number	description
2A	2RU35	cover
2B	2R80-A	spring
2C	2R6 2R31	carrier assembly idler pin only
14A	2RCU22-1.0	housing (housing now shown)





2C2FA

Ball Bearing Option

item	part number	description
16A	2C2FAN2	bracket
17	P203-6	nut (4)
19	P701-222-37	standard Buna N O ring
	P701-222-77	optional Viton O ring
20	2C2FN68-7529	bearing cap
20A	P602-17	ball bearing
21	P105-115	bolt (5)

