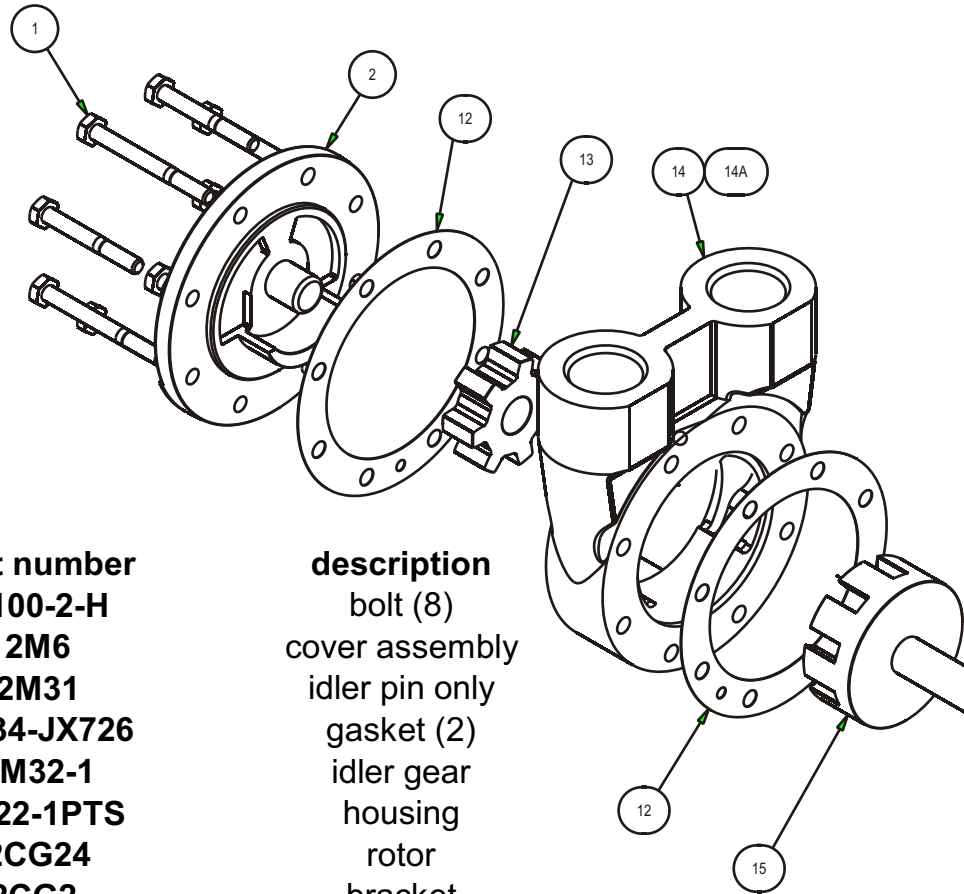


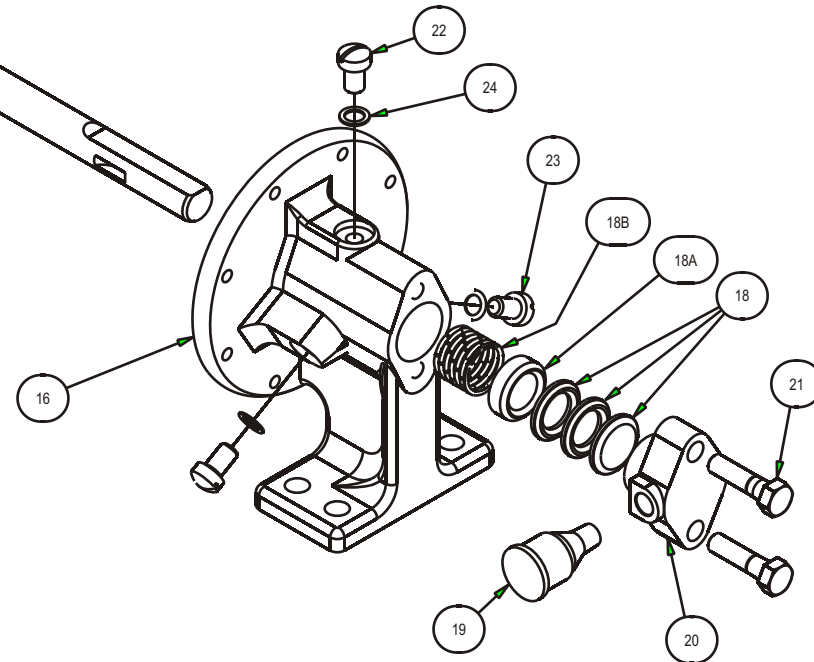


TUTHILL PUMP GROUP - LUBETECH PARTS LIST

2C1G



item	part number	description
1	P100-2-H	bolt (8)
2	2M6	cover assembly
	2M31	idler pin only
12	2M34-JX726	gasket (2)
13	2M32-1	idler gear
14	2C22-1PTS	housing
15	2CG24	rotor
16	2CG2	bracket
	2MR71	bushing only
18	2CG94	packing ring (3)
18A	2CG92	packing retainer
18B	2CN73-OS	spring
19	P300-1	grease cup
20	2CG7	gland assembly
	2CG70	bushing only
21	P101-8-H	bolt (2)
	P802-4	lockwasher for above (2)
22	2MB517-A	short vent plug
23	2CGB517	long vent plug (2)
24	2MB64	copper gasket (3)



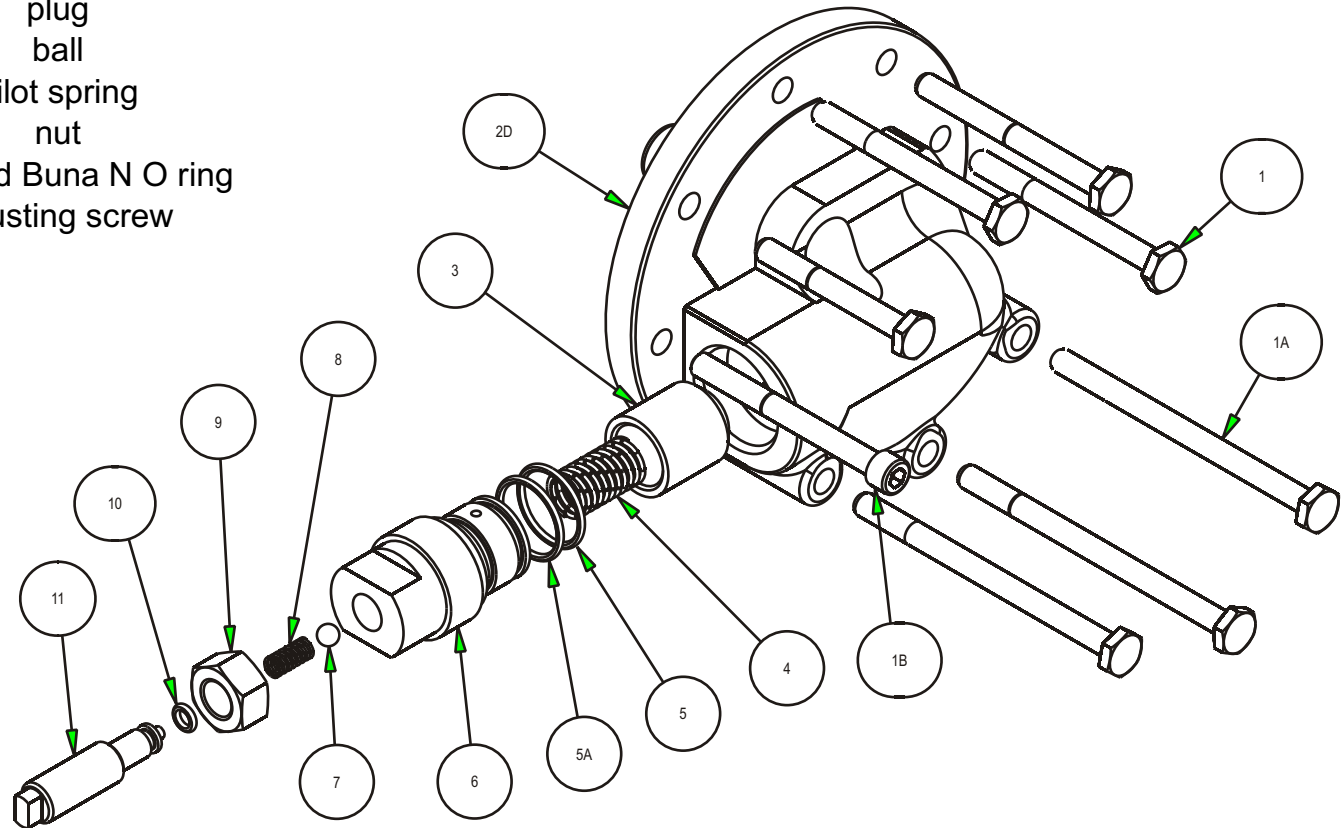


TUTHILL PUMP GROUP - LUBETECH PARTS LIST

item	part number	description
1	P100-2-H	bolt (4)
1A	P100-12-H	bolt (3)
1B	P105-8	bolt (1)
2D	2CV6-C	clockwise cover assy
	2M31	idler pin only
3	2CV58-A	plunger
4	2CV63-2	spring 10-200 psi
5	P701-129-37	standard Buna N O ring
5A	P701-92-37	standard Buna N O ring
6	2CV56	plug
7	P350-5	ball
8	2CV63-B	pilot spring
9	P203-15	nut
10	P701-10-37	standard Buna N O ring
11	2CV527-A	adjusting screw

2C1G

Relief Valve Option





2C1G

Reversing Option

item	part number	description
2A	2RU35	cover
2B	2R80-A	spring
2C	2R6 2R31	carrier assembly idler pin only
14A	2RCU22-1.0	housing (housing now shown)

