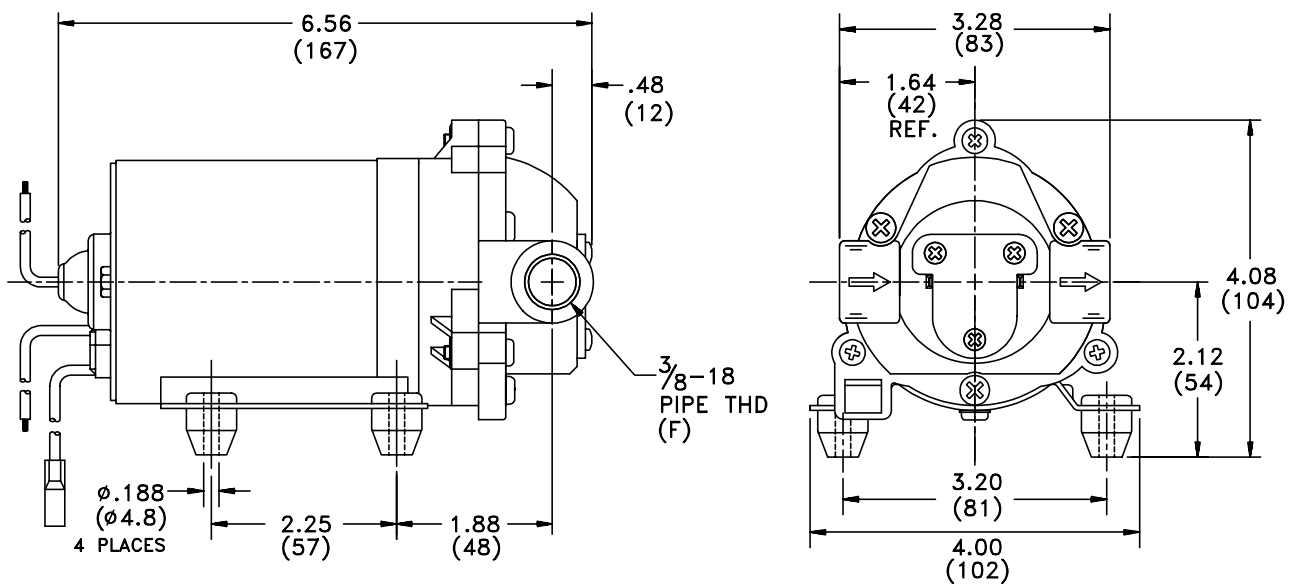


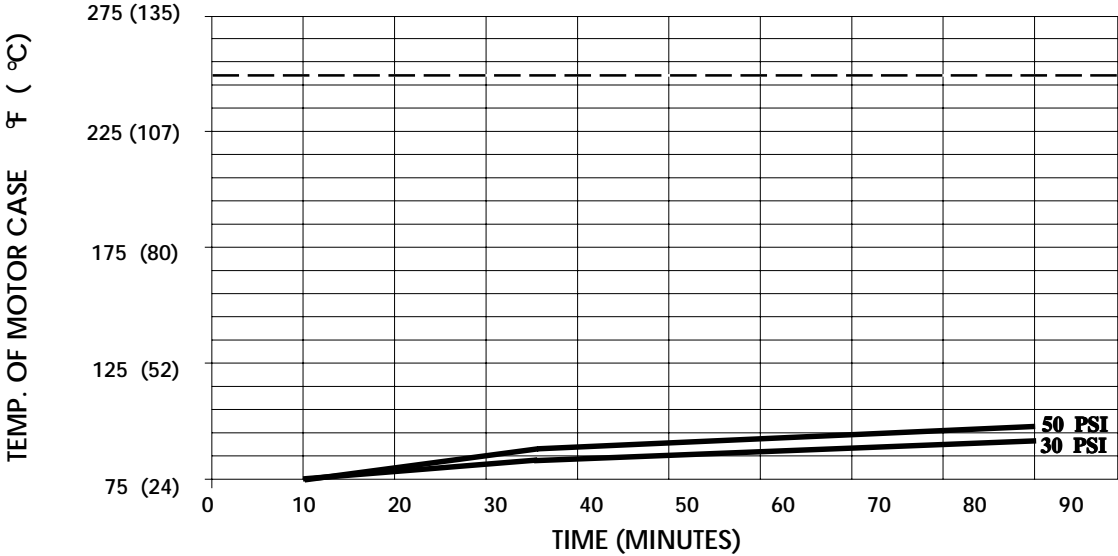
**SPECIFICATIONS:**

**MODEL NUMBER:** 8090-811-250  
**PUMP DESIGN:** Positive Displacement 3 Chamber Diaphragm Pump  
**CAM:** 2.0 Degree  
**MOTOR:** Permanent Magnet, P/N 11-160-00, Thermally Protected  
**VOLTAGE:** 230 VAC Nominal  
**PRESSURE SWITCH:** None  
**LIQUID TEMPERATURE:** 180 Degrees Fahrenheit (82 Degrees Centigrade) Max.  
**PRIME:** Self-Priming Up To 7.0 Ft. Vertical,  
 Max. Inlet Pressure 30 PSI (2.1 Bar)  
**PORTS:** 3/8"-18 NPT Female  
**MATERIAL OF CONSTRUCTION:**  
     **PLASTICS-** Nylon  
     **VALVES-** Viton  
     **DIAPHRAGM-** Santoprene  
     **FASTENERS-** Zinc Plated Steel  
**NET WEIGHT:** 3.85 Lbs (1.75 Kg)  
**DUTY CYCLE:** Intermittent (See Temperature Rise Chart)  
**TYPICAL APPLICATIONS:** Soil Extraction  
**BYPASS:** 60 PSI Max.  
**APPROVALS:** VDE Approved

**DIMENSIONS:**



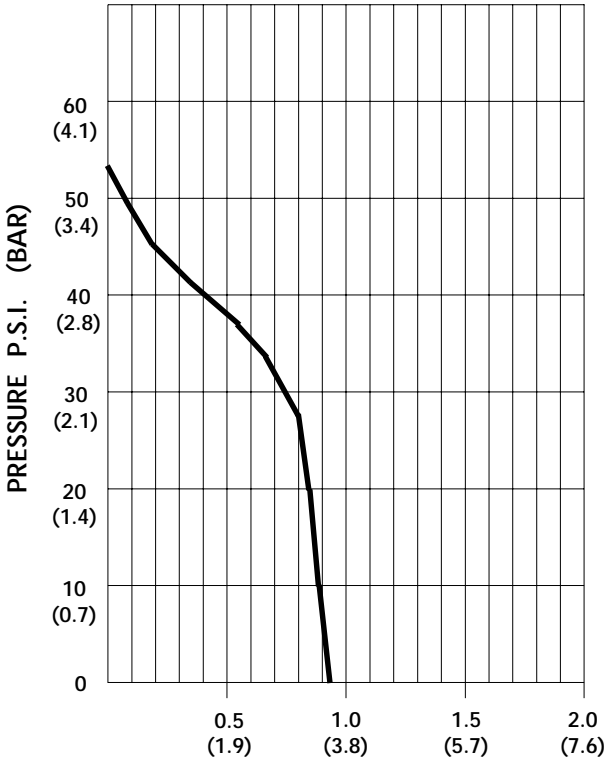
**TEMPERATURE RISE**



THIS GRAPH IS FOR USE AS A DESIGN GUIDE. IT IS BASED ON RUNNING CONTINUOUSLY WITH AN AMBIENT TEMPERATURE OF 70°F IN STILL AIR. THE THERMAL BREAKER WILL OPEN WHEN THE CASE TEMPERATURE REACHES 250° F.

[----- TRIP POINT OF THERMAL PROTECTOR]

**TYPICAL PERFORMANCE**



PRESSURE (PSI)	FLOW (GPM/LIT)	RPM MIN/MAX	CURRENT (AMPS)	VOLTAGE (VOLTS)
OPEN	<b>0.93/3.5</b>	<b>2250/2405</b>	<b>0.11</b>	<b>230VAC</b>
10	<b>0.86/3.2</b>	<b>2170/2325</b>	<b>0.12</b>	"
20	<b>0.83/3.1</b>	<b>2105/2235</b>	<b>0.14</b>	"
30	<b>0.71/2.7</b>	<b>2015/2160</b>	<b>0.16</b>	"
40	<b>0.28/1.1</b>	<b>1960/2075</b>	<b>0.17</b>	"

FLOW - GALLONS PER MINUTE (LITERS PER MINUTE)

*-SPECIFICATIONS SUBJECT TO CHANGE WITHOUT NOTICE.  
-ALL DATA BASED ON TESTING WITH WATER AT AMBIENT TEMPERATURE.*