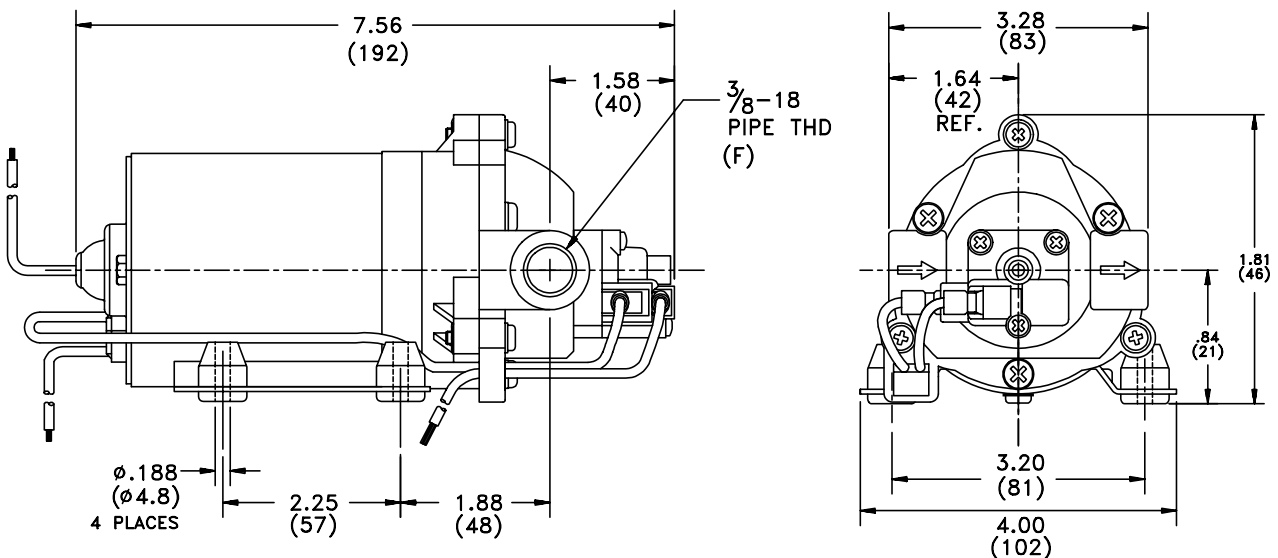


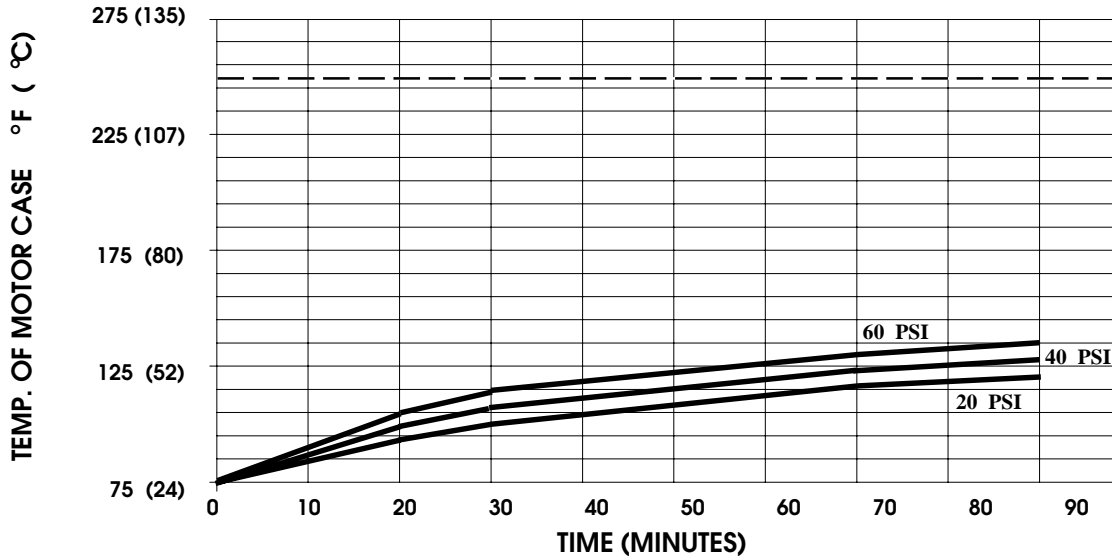
SPECIFICATIONS:

MODEL NUMBER: 8090-111-236
PUMP DESIGN: Positive Displacement 3 Chamber Diaphragm Pump
CAM: 2.0 Degree
MOTOR: Permanent Magnet, P/N 11-160-00, Thermally Protected
VOLTAGE: 230 VAC Nominal
PRESSURE SWITCH: Adjustable Shut-Off (Range 40-60 PSI)
 Factory Set @ 60 PSI, Turn On 45 PSI ± 5 PSI
LIQUID TEMPERATURE: 170 Degrees Fahrenheit (77 Degrees Centigrade) Max.
PRIME: Self-Priming Up To 6 Ft. Vertical,
 Max. Inlet Pressure 30 PSI (2.1 Bar)
PORTS: 3/8"-18 NPT Female
MATERIAL OF CONSTRUCTION:
PLASTICS- Polypropylene
VALVES- Buna-n
DIAPHRAGM- Geolast (Main), Buna-n (Switch)
FASTENERS- Zinc Plated Steel
NET WEIGHT: 3.85 Lbs (1.75 Kg)
DUTY CYCLE: Intermittent (See Temperature Rise Chart)
TYPICAL APPLICATIONS: Soil Extraction
BYPASS: 80 PSI Max.
APPROVALS: VDE Approved

DIMENSIONS:



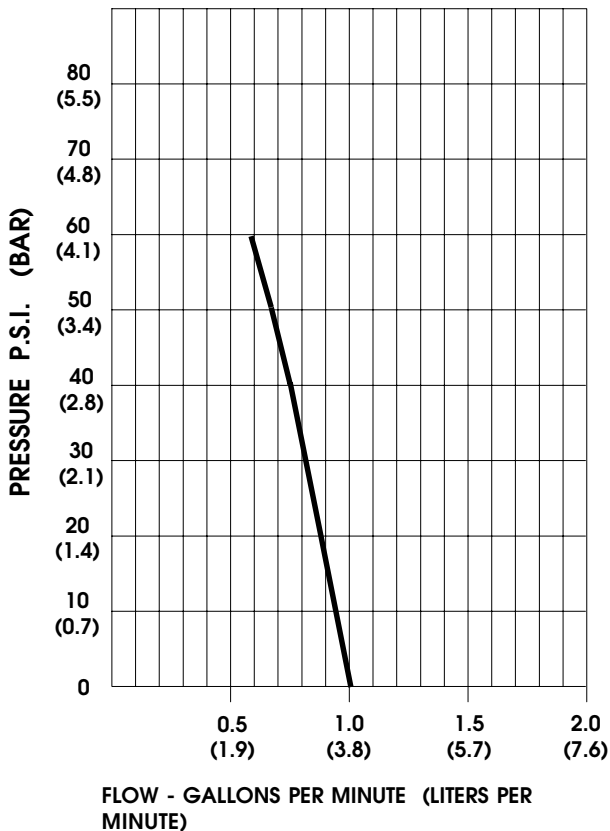
TEMPERATURE RISE



THIS GRAPH IS FOR USE AS A DESIGN GUIDE. IT IS BASED ON RUNNING CONTINUOUSLY WITH AN AMBIENT TEMPERATURE OF 75°F IN STILL AIR. THE THERMAL BREAKER WILL OPEN WHEN THE CASE TEMPERATURE REACHES 250°F.

[----- TRIP POINT OF THERMAL PROTECTOR]

TYPICAL PERFORMANCE



PRESSURE (PSI)	FLOW (GPM/LIT)	RPM MIN/MAX	CURRENT (AMPS)	VOLTAGE (VOLTS)
OPEN	1.00/3.8	2510/2570	.10	230 VAC
10	0.94/3.5	2425/2475	.12	"
20	0.88/3.3	2300/2350	.14	"
30	0.88/3.0	2220/2255	.16	"
40	0.74/2.8	2120/2160	.18	"
50	0.67/3.8	2050/2100	.19	"
60	0.58/1.5	2010/2035	.21	"

-SPECIFICATIONS SUBJECT TO CHANGE WITHOUT NOTICE.

-ALL DATA BASED ON TESTING WITH WATER AT AMBIENT TEMPERATURE.