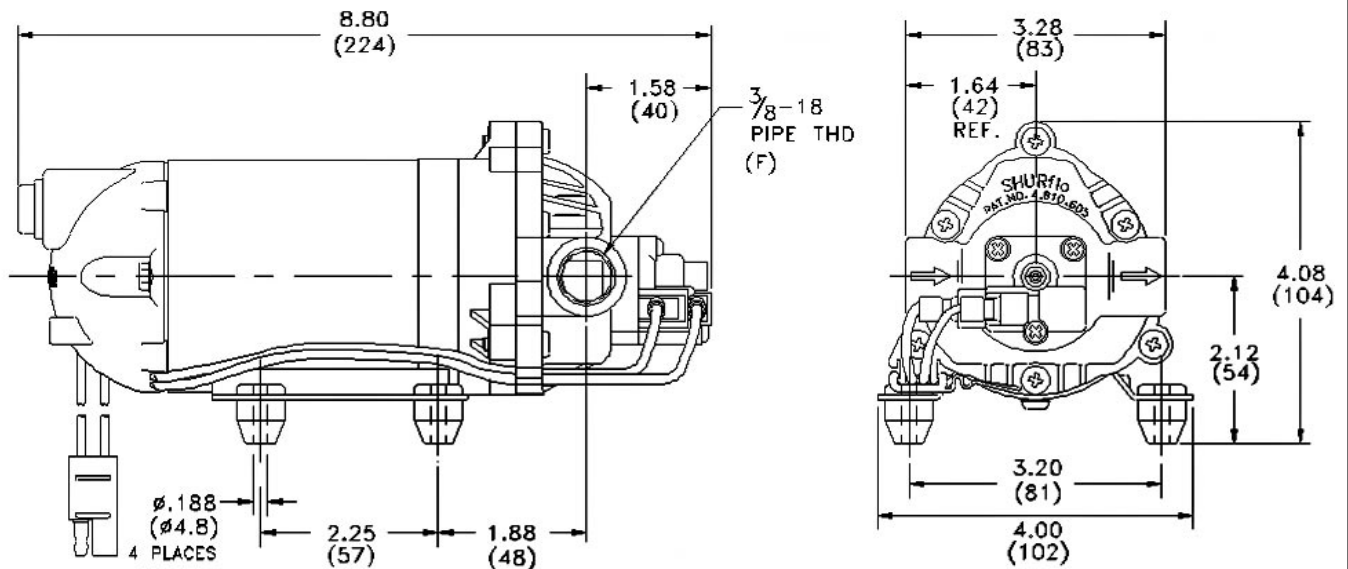


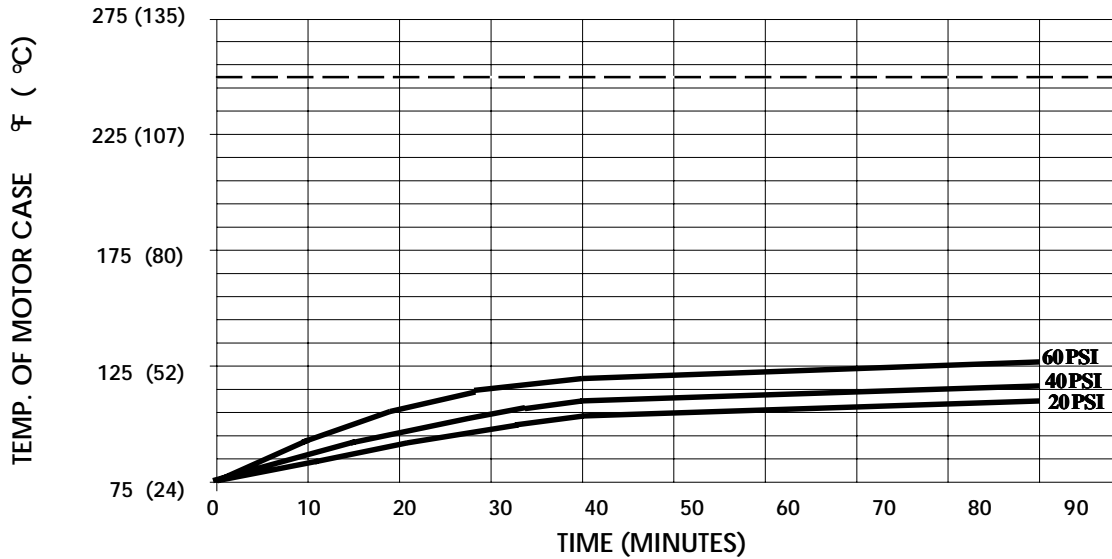
SPECIFICATIONS:

- MODEL NUMBER:** 8007-591-236
- PUMP DESIGN:** Positive Displacement 3 Chamber Diaphragm Pump
- CHECK VALVE:** (1-Way Operation) Prevents Reverse Flow
- CAM:** 2.0 Degree
- MOTOR:** Permanent Magnet, P/N 11-148-00, Thermally Protected, On/Off Switch, Connector
- VOLTAGE:** 12 VDC Nominal
- PRESSURE SWITCH:** Adjustable Shut-Off (Range 40-60 PSI)
 Factory Set @ 60 PSI, Turn On 45 PSI ±5 PSI
- LIQUID TEMPERATURE:** 170 Degrees Fahrenheit (77 Degrees Centigrade) Max.
- PRIME:** Self-Priming Up To 11 Ft. Vertical,
 Max. Inlet Pressure 30 PSI (2.1 Bar)
- PORTS:** 3/8"-18 NPT Female
- MATERIAL OF CONSTRUCTION:**
 - PLASTICS-** Polypropylene
 - VALVES-** Viton
 - DIAPHRAGM-** Santoprene
 - FASTENERS-** Zinc Plated Steel
- NET WEIGHT:** 4.38 Lbs (2.0 Kg)
- DUTY CYCLE:** Intermittent (See Temperature Rise Chart)
- TYPICAL APPLICATIONS:** Agricultural Spraying

DIMENSIONS:



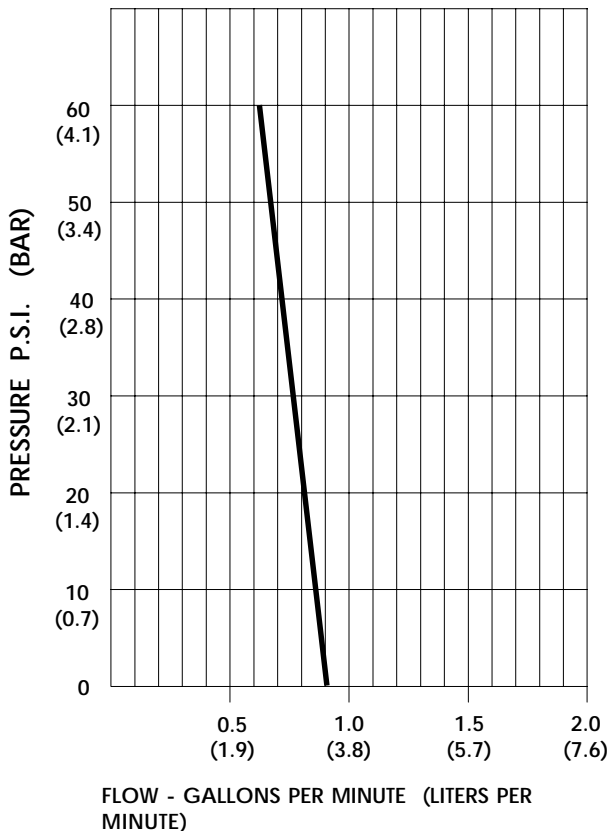
TEMPERATURE RISE



THIS GRAPH IS FOR USE AS A DESIGN GUIDE. IT IS BASED ON RUNNING CONTINUOUSLY WITH AN AMBIENT TEMPERATURE OF 75 °F IN STILL AIR. THE THERMAL BREAKER WILL OPEN WHEN THE CASE TEMPERATURE REACHES 250 °F.

[- - - - - TRIP POINT OF THERMAL PROTECTOR]

TYPICAL PERFORMANCE



| PRESSURE (PSI) | FLOW (GPM/LIT) | RPM MIN/MAX | CURRENT (AMPS) | VOLTAGE (VOLTS) |
|----------------|-----------------|------------------|----------------|-----------------|
| OPEN | 1.00/3.8 | 1935/1945 | 1.5 | 12 VDC |
| 10 | 0.87/3.3 | 1885/1900 | 1.9 | " |
| 20 | 0.79/3.0 | 1840/1855 | 2.3 | " |
| 30 | 0.75/2.8 | 1780/1810 | 2.8 | " |
| 40 | 0.70/2.6 | 1735/1760 | 3.2 | " |
| 50 | 0.65/2.5 | 1690/1735 | 3.5 | " |
| 60 | 0.62/2.3 | 1665/1715 | 3.8 | " |

-SPECIFICATIONS SUBJECT TO CHANGE WITHOUT NOTICE.

-ALL DATA BASED ON TESTING WITH WATER AT AMBIENT TEMPERATURE.