

#### SPECIFICATIONS:

**MODEL NUMBER:** 8006-142-220

**PUMP DESIGN:** Positive Displacement 3 Chamber Diaphragm Pump

**CAM:** 2.5 Degree

**MOTOR:** Permanent Magnet, P/N 11-111-09

**VOLTAGE:** 12 VDC Nominal

**PRESSURE SWITCH:** None

**LIQUID TEMPERATURE:** 170 Degrees Fahrenheit (77 Degrees Centigrade) Max.

**PRIME:** Self-Priming Up To 9.0 Ft. Vertical,  
Max. Inlet Press 30 PSI (2.1 Bar)

**PORTS:** 3/8"-18 NPT Female

**MATERIAL OF CONSTRUCTION:**

**PLASTICS-** Polypropylene

**VALVES-** Buna-n

**DIAPHRAGM-** Santoprene

**FASTENERS-** Zinc Plated Steel

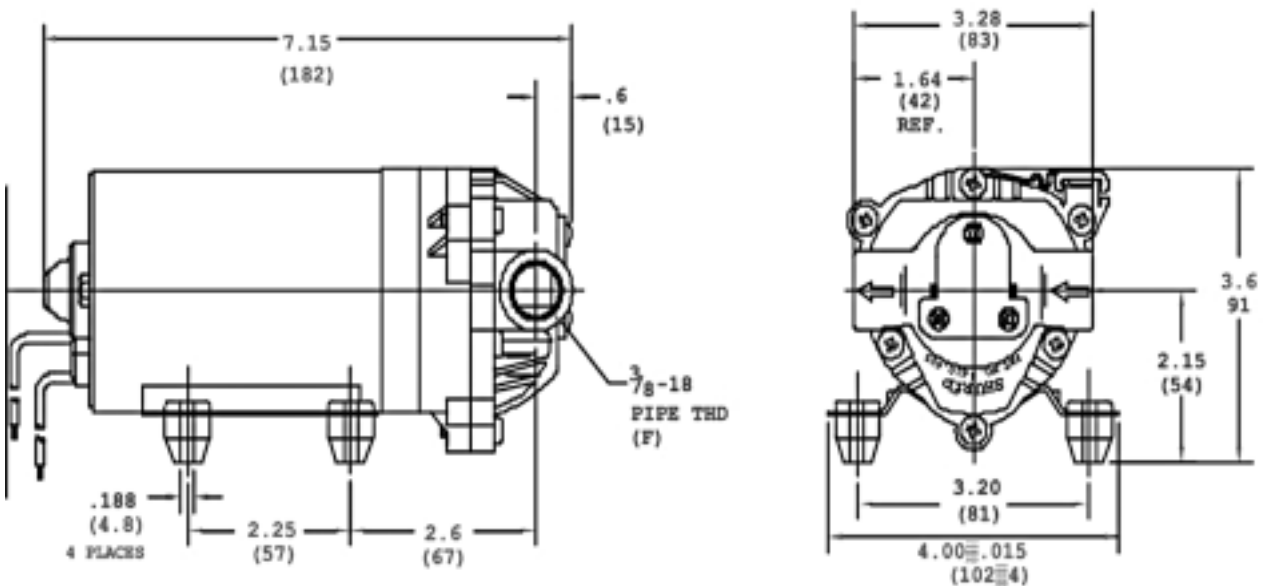
**NET WEIGHT:** 4.6 Lbs (2.08 Kg)

**DUTY CYCLE:** Continuous (See Temperature Rise Chart)

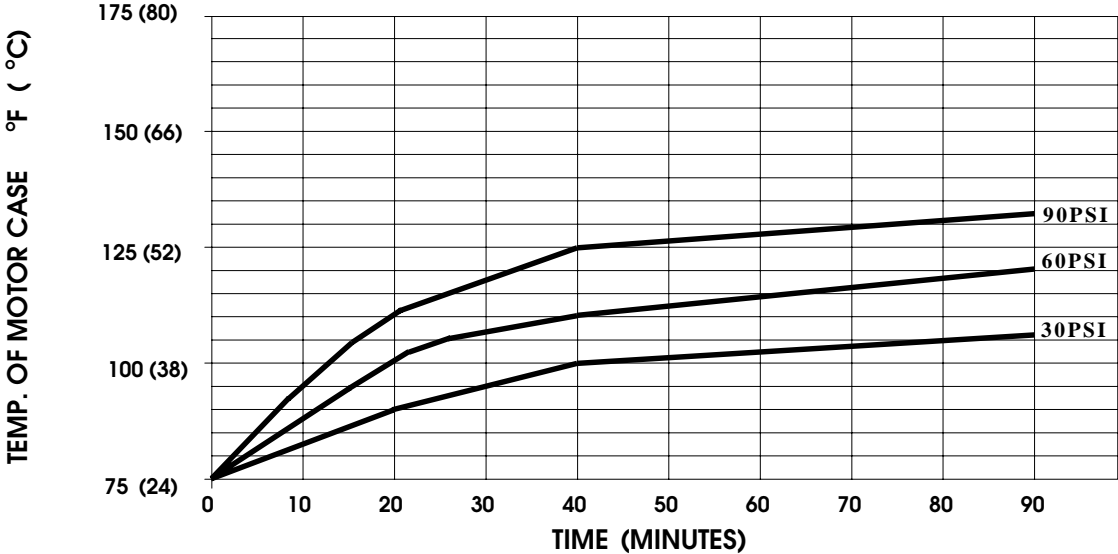
**TYPICAL APPLICATIONS:** Agricultural Spraying / Soil Extraction

**BYPASS:** 60 PSI

#### DIMENSIONS:

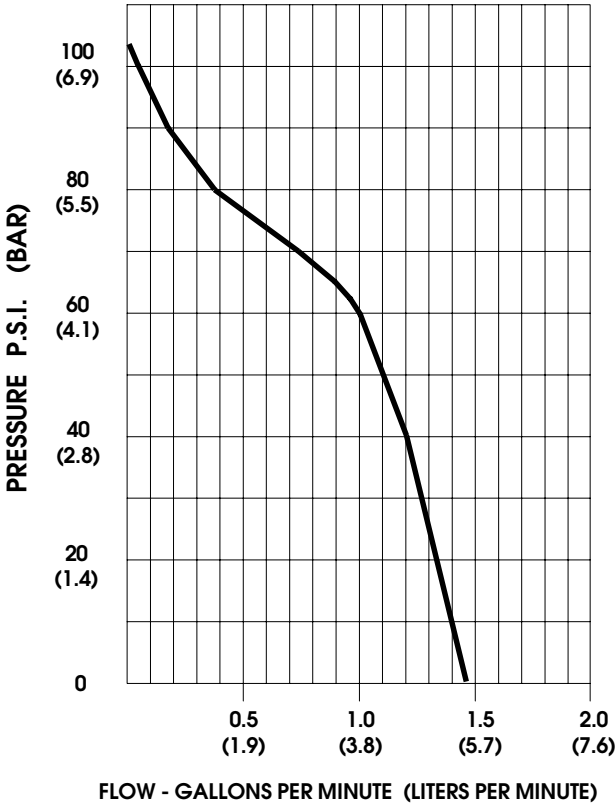


**TEMPERATURE RISE**



THIS GRAPH IS FOR USE AS A DESIGN GUIDE. IT IS BASED ON RUNNING CONTINUOUSLY WITH AN AMBIENT TEMPERATURE OF 70° F IN STILL AIR.

**TYPICAL PERFORMANCE**



PRESSURE (PSI)	FLOW (GPM/LIT)	RPM MIN/MAX	CURRENT (AMPS)	VOLTAGE (VOLTS)
OPEN	1.45/5.5	2230/2330	2.7	12 VDC
10	1.40/5.3	2220/2310	2.9	"
20	1.32/5.0	2180/2300	3.4	"
30	1.24/4.7	2170/2260	4.0	"
40	1.19/4.5	2140/2250	4.6	"
50	1.13/4.3	2110/2230	5.1	"
60	1.00/3.8	2090/2220	5.6	"
70	0.72/2.7	2060/2190	6.1	"
80	0.38/1.4	2020/2185	6.6	"
90	0.16/0.6	1990/2180	7.0	"

*-SPECIFICATIONS SUBJECT TO CHANGE WITHOUT NOTICE.  
-ALL DATA BASED ON TESTING WITH WATER.*