

#### SPECIFICATIONS:

**MODEL NUMBER:** 8005-952-898

**PUMP DESIGN:** Positive Displacement 3 Chamber Diaphragm Pump

**CAM:** 2.5 Degree

**MOTOR:** Permanent Magnet, P/N 11-147-14

**VOLTAGE:** 36VDC Nominal

**PRESSURE SWITCH:** None

**LIQUID TEMPERATURE:** 180 Degrees Fahrenheit (82 Degrees Centigrade) Max.

**PORTS:** 3/8"-18 NPT Female

**MATERIAL OF CONSTRUCTION:**

**PLASTICS-** Nylon

**VALVES-** EPDM

**DIAPHRAGM-** Santoprene

**FASTENERS-** Stainless Steel

**NET WEIGHT:** 4.6 Lbs (2.1 Kg)

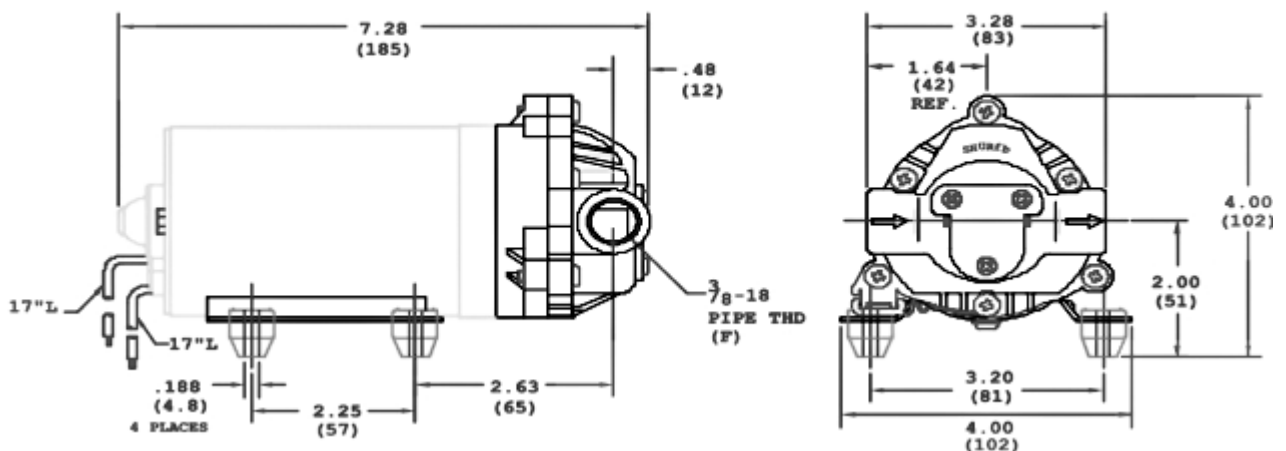
**DUTY CYCLE:** Continuous (See Temperature Rise Chart)

**APPROVALS:** NSF Listed

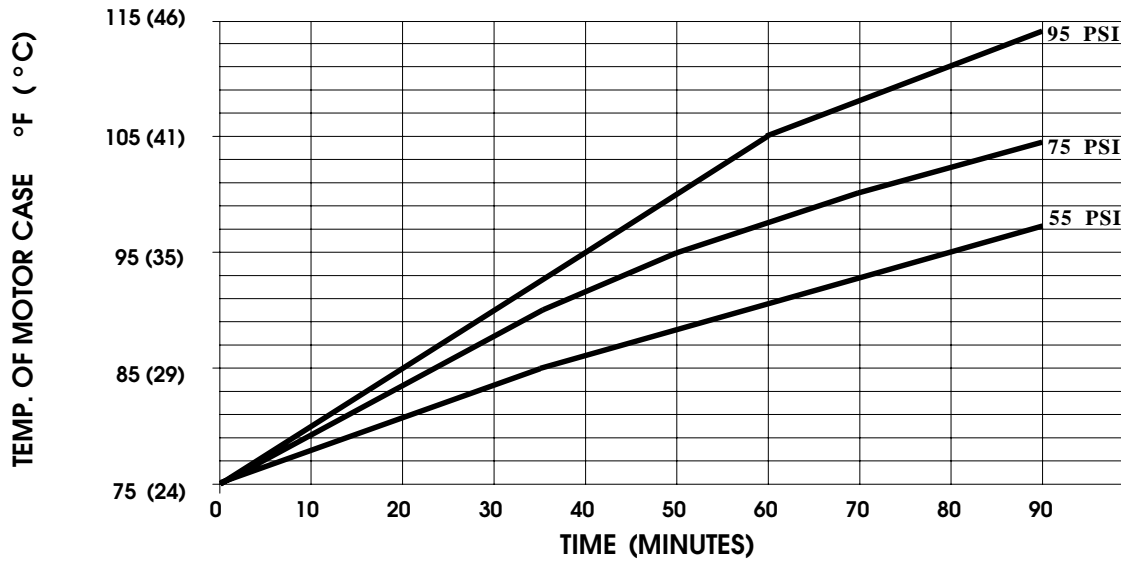
**TYPICAL APPLICATIONS:** R.O. Booster Pump

**BYPASS:** 100 PSI

#### DIMENSIONS:

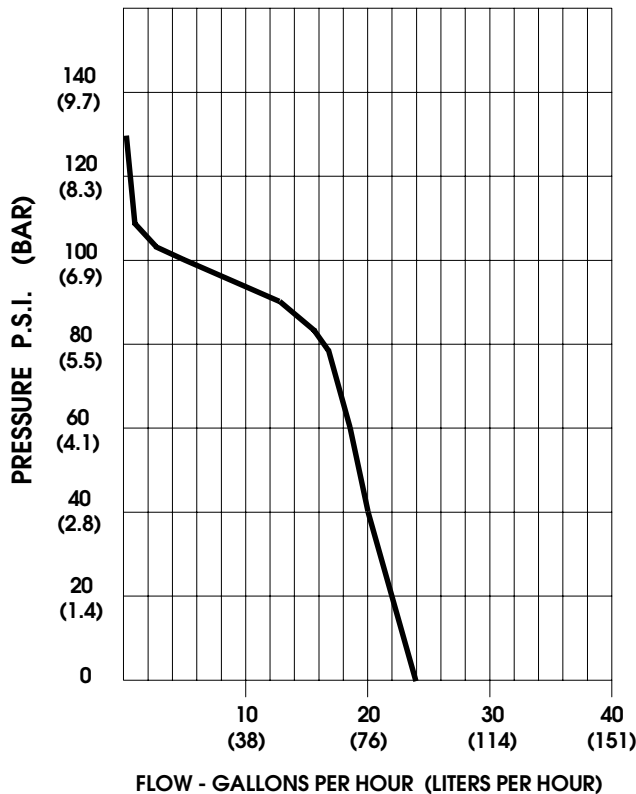


**TEMPERATURE RISE**



THIS GRAPH IS FOR USE AS A DESIGN GUIDE. IT IS BASED ON RUNNING CONTINUOUSLY WITH AN AMBIENT TEMPERATURE OF 75° F IN STILL AIR.

**TYPICAL PERFORMANCE**



PRESSURE (PSI)	FLOW (GPH/LIT)	RPM MIN/MAX	CURRENT (AMPS)	VOLTAGE (VOLTS)
OPEN	24.2/92	610/630	0.20	36 VDC
10	23.0/87	580/600	0.26	"
20	21.8/82	560/580	0.32	"
30	21.0/79	540/560	0.38	"
40	20.5/77	520/540	0.44	"
50	19.7/75	500/520	0.49	"
60	18.6/70	475/495	0.54	"
70	17.4/66	455/475	0.59	"
80	16.2/61	435/455	0.64	"
90	13.5/51	405/435	0.69	"
100	5.2/20	395/415	0.73	"

*-SPECIFICATIONS SUBJECT TO CHANGE WITHOUT NOTICE.*

*-ALL DATA BASED ON TESTING WITH WATER.*