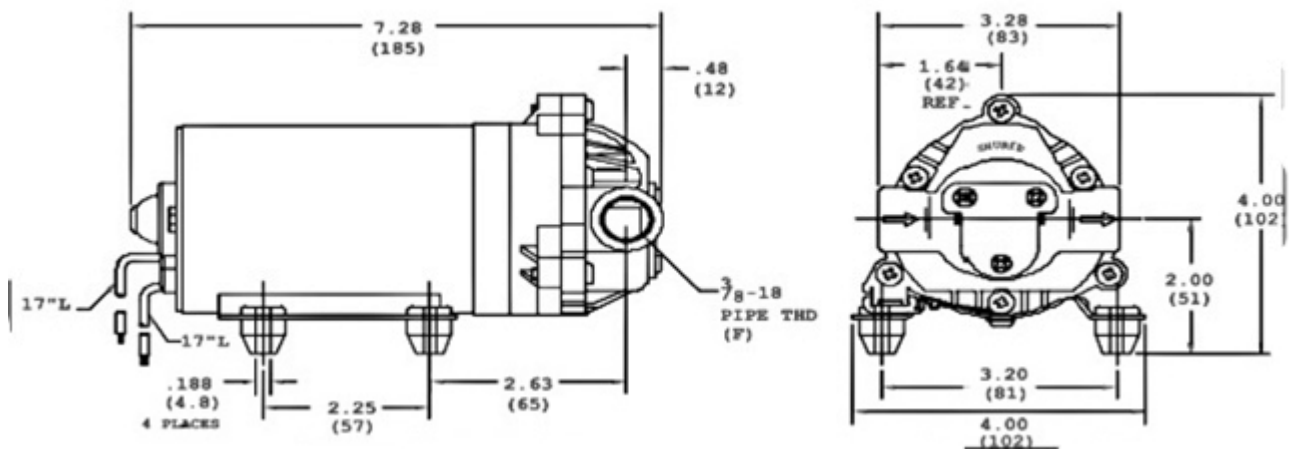


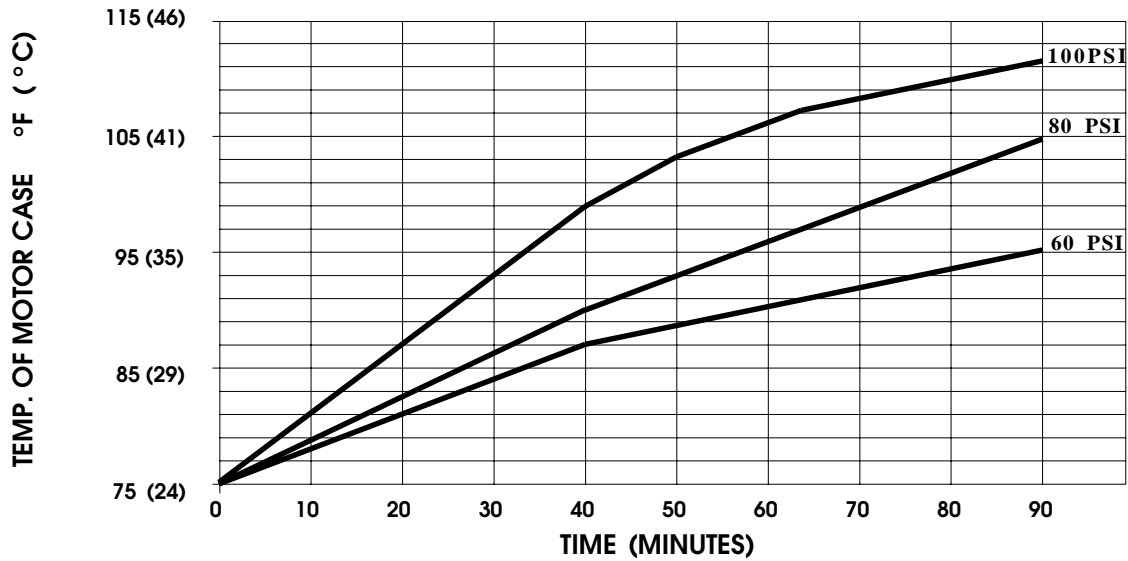
SPECIFICATIONS:

MODEL NUMBER: 8005-952-890
PUMP DESIGN: Positive Displacement 3 Chamber Diaphragm Pump
CAM: 2.5 Degree
MOTOR: Permanent Magnet, P/N 11-147-14
VOLTAGE: 24VDC Nominal
PRESSURE SWITCH: None
LIQUID TEMPERATURE: 180 Degrees Fahrenheit (82 Degrees Centigrade) Max.
PORTS: 3/8"-18 NPT Female
MATERIAL OF CONSTRUCTION:
 PLASTICS- Nylon
 VALVES- EPDM
 DIAPHRAGM- Santoprene
 FASTENERS- Stainless Steel
NET WEIGHT: 4.6 Lbs (2.1 Kg)
DUTY CYCLE: Continuous (See Temperature Rise Chart)
APPROVALS: NSF Listed
TYPICAL APPLICATIONS: R.O. Booster Pump
BYPASS: 100 PSI

DIMENSIONS:

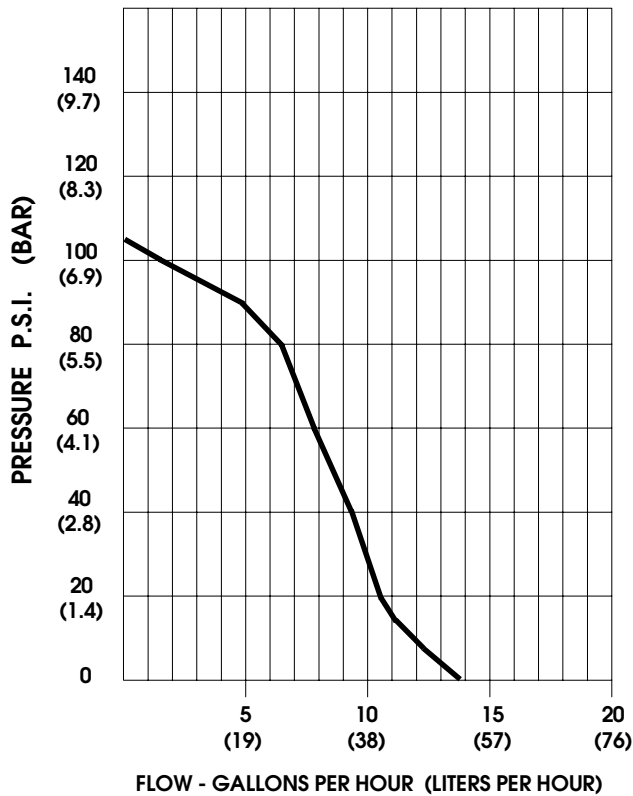


TEMPERATURE RISE



THIS GRAPH IS FOR USE AS A DESIGN GUIDE. IT IS BASED ON RUNNING CONTINUOUSLY WITH AN AMBIENT TEMPERATURE OF 75°F IN STILL AIR.

TYPICAL PERFORMANCE



PRESSURE (PSI)	FLOW (GPH/LIT)	RPM MIN/MAX	CURRENT (AMPS)	VOLTAGE (VOLTS)
OPEN	13.7/52	415/425	0.18	24 VDC
10	11.8/45	405/410	0.21	"
20	10.4/39	385/395	0.26	"
30	9.4/36	365/380	0.32	"
40	8.8/33	345/365	0.38	"
50	8.2/31	325/345	0.42	"
60	7.7/29	305/335	0.49	"
70	7.1/27	285/325	0.54	"
80	6.4/24	265/310	0.60	"
90	4.0/15	250/300	0.65	"
100	1.5/5.7	225/290	0.69	"

*-SPECIFICATIONS SUBJECT TO CHANGE WITHOUT NOTICE.
-ALL DATA BASED ON TESTING WITH WATER.*