

### SPECIFICATIONS:

**MODEL NUMBER:** 8005-952-490

**PUMP DESIGN:** Positive Displacement 3 Chamber Diaphragm Pump

**CAM:** 2.5 Degree

**MOTOR:** Permanent Magnet, P/N 11-147-10

**VOLTAGE:** 24VDC Nominal

**PRESSURE SWITCH:** None

**LIQUID TEMPERATURE:** 180 Degrees Fahrenheit (82 Degrees Centigrade) Max.

**PORTS:** 3/8"-18 NPT Female

**MATERIAL OF CONSTRUCTION:**

**PLASTICS-** Nylon

**VALVES-** EPDM

**DIAPHRAGM-** Santoprene

**FASTENERS-** Stainless Steel

**NET WEIGHT:** 4.75 Lbs (2.15 Kg)

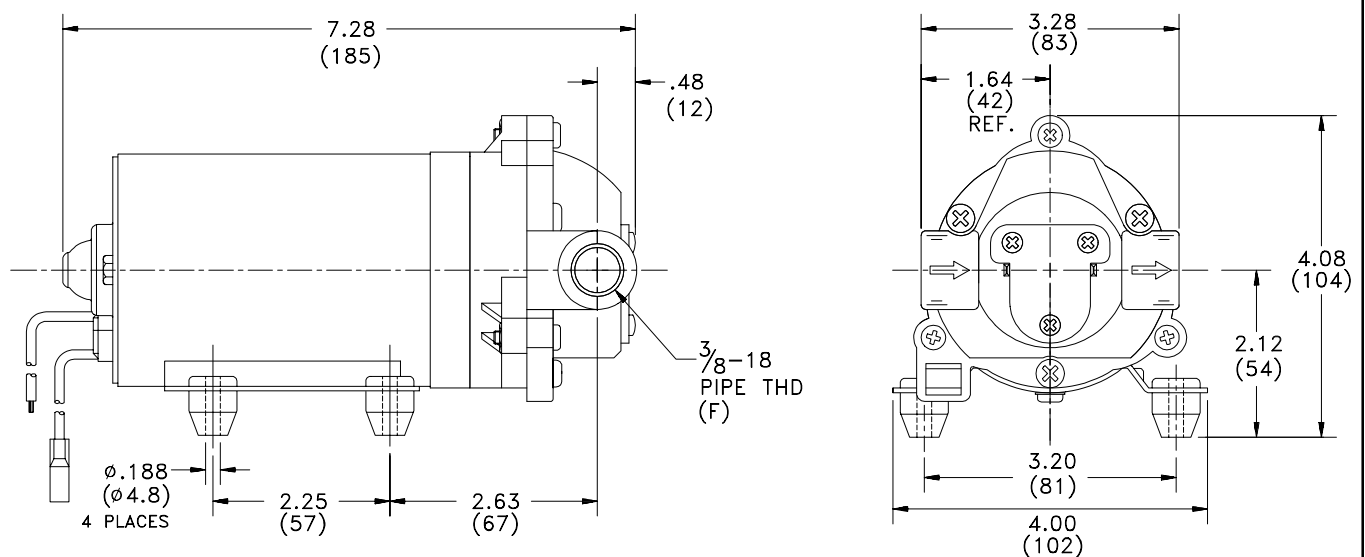
**DUTY CYCLE:** Continuous (See Temperature Rise Chart)

**APPROVALS:** NSF Listed

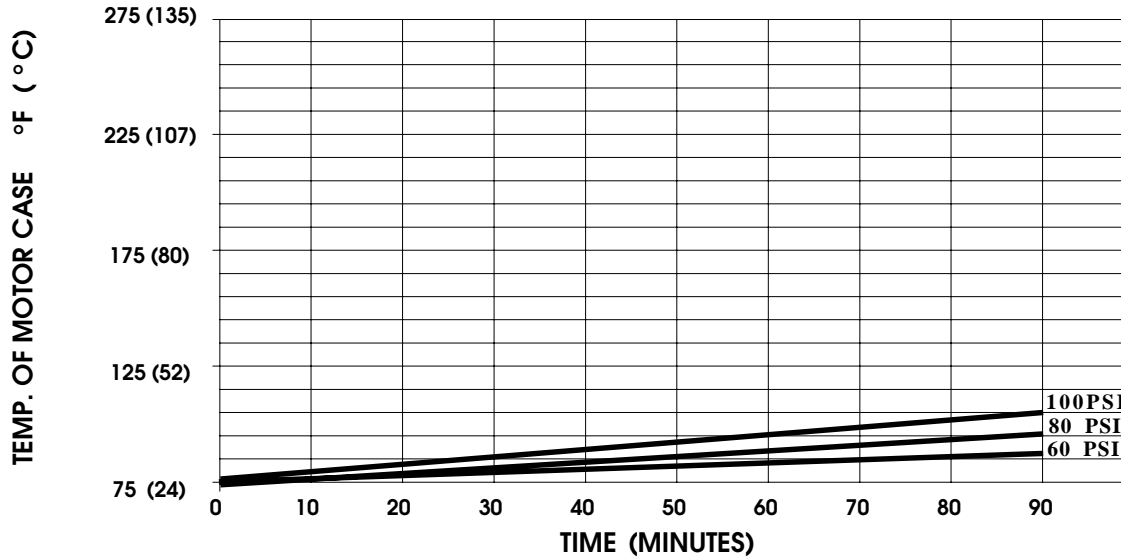
**TYPICAL APPLICATIONS:** R.O. Booster Pump

**BYPASS:** 100 PSI

### DIMENSIONS:

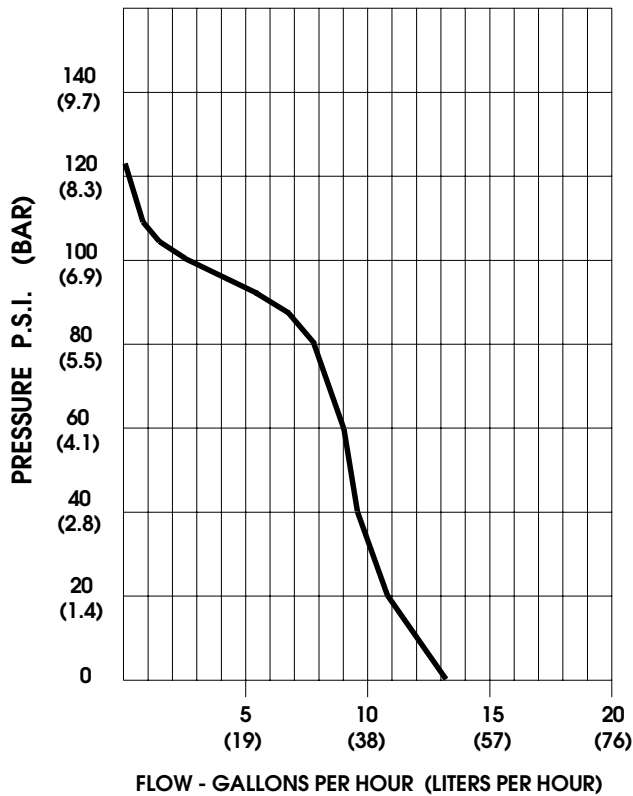


**TEMPERATURE RISE**



THIS GRAPH IS FOR USE AS A DESIGN GUIDE. IT IS BASED ON RUNNING CONTINUOUSLY WITH AN AMBIENT TEMPERATURE OF 73° F IN STILL AIR.

**TYPICAL PERFORMANCE**



PRESSURE (PSI)	FLOW (GPH/LIT)	RPM MIN/MAX	CURRENT (AMPS)	VOLTAGE (VOLTS)
OPEN	13.2/50	415/425	0.14	24 VDC
10	11.4/43	405/410	0.18	"
20	10.8/41	385/395	0.23	"
30	10.2/38	365/380	0.28	"
40	9.6/36	345/365	0.34	"
50	9.3/35	325/345	0.39	"
60	9.0/34	305/335	0.44	"
70	8.4/32	285/325	0.48	"
80	7.8/29	265/310	0.53	"
90	7.2/27	250/300	0.58	"
100	2.4/9	225/290	0.64	"

*-SPECIFICATIONS SUBJECT TO CHANGE WITHOUT NOTICE.*

*-ALL DATA BASED ON TESTING WITH WATER.*