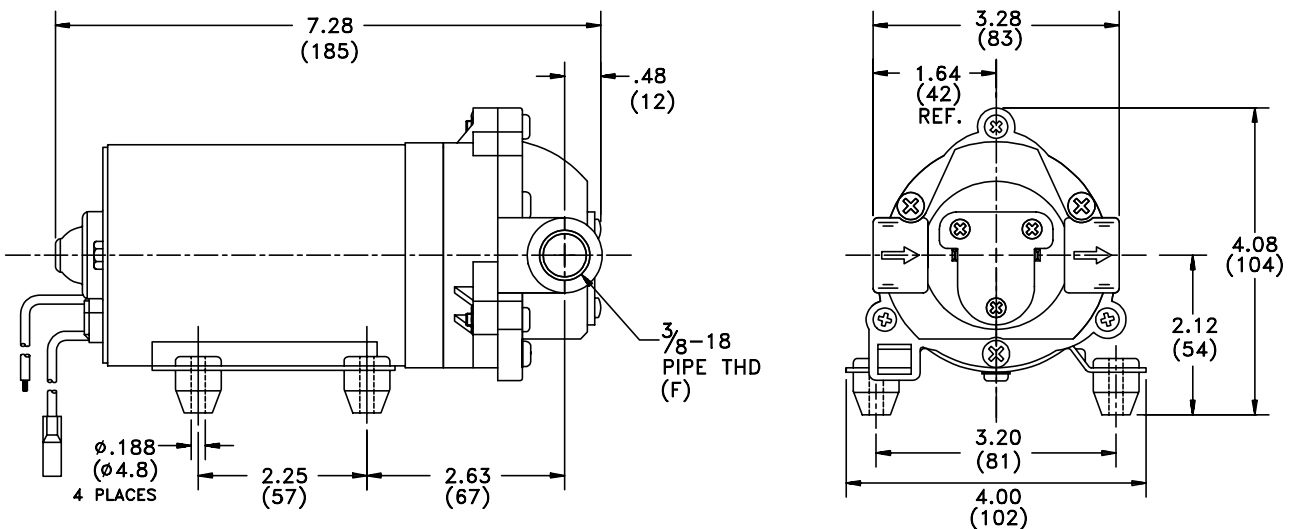


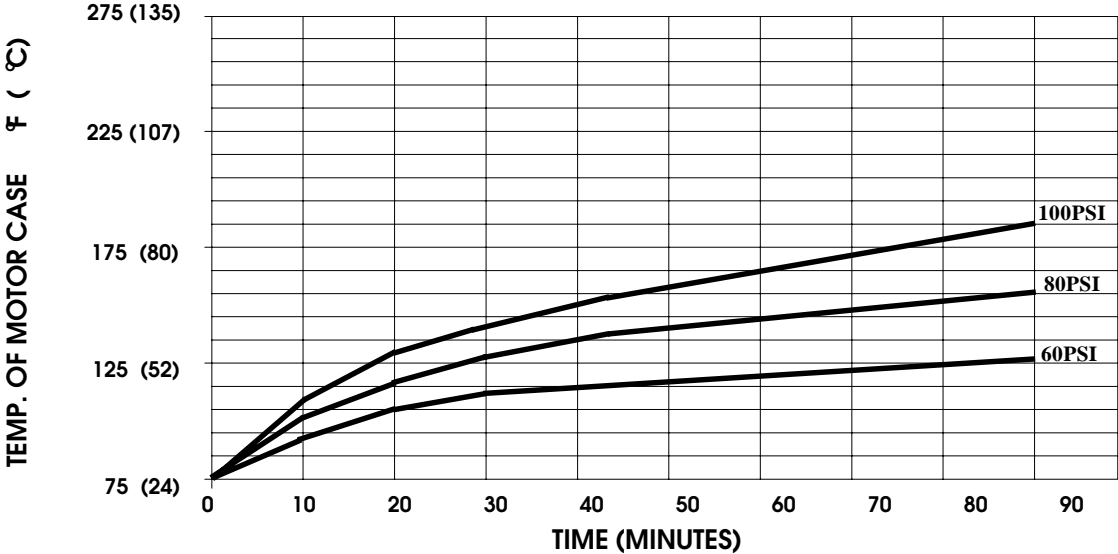
**SPECIFICATIONS:**

**MODEL NUMBER:** 8005-942-220  
**PUMP DESIGN:** Positive Displacement 3 Chamber Diaphragm Pump  
**CAM:** 2.5 Degree  
**MOTOR:** Permanent Magnet, P/N 11-111-00  
**VOLTAGE:** 12VDC Nominal  
**PRESSURE SWITCH:** None  
**LIQUID TEMPERATURE:** 180 Degrees Fahrenheit (82 Degrees Centigrade) Max.  
**PRIME:** Self-Priming Up To 5 Ft. Vertical,  
 Max. Inlet Pressure 30 PSI (2.1 Bar)  
**PORTS:** 3/8"-18 NPT Female  
**MATERIAL OF CONSTRUCTION:**  
**PLASTICS-** Nylon  
**VALVES-** EPDM  
**DIAPHRAGM-** Santoprene  
**FASTENERS-** Zinc Plated Steel  
**NET WEIGHT:** 4.0 Lbs (1.8 Kg)  
**DUTY CYCLE:** Continuous (See Temperature Rise Chart)  
**TYPICAL APPLICATIONS:** Delivery Pump  
**BYPASS:** 80 PSI  
**APPROVALS:** NSF Listed

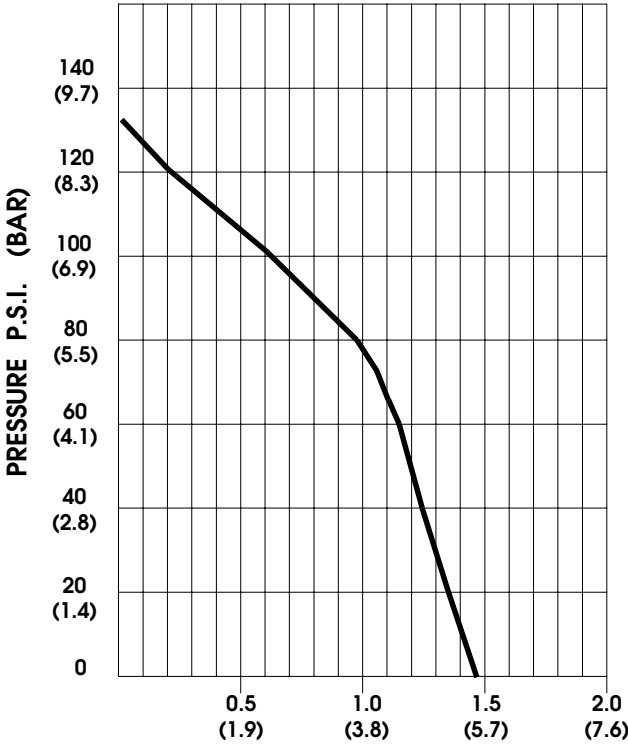
**DIMENSIONS:**



**TEMPERATURE RISE**



**TYPICAL PERFORMANCE**



PRESSURE (PSI)	FLOW (GPM/LIT)	RPM MIN/MAX	CURRENT (AMPS)	VOLTAGE (VOLTS)
OPEN	1.46/5.5	2385/2405	2.6	12VDC
10	1.40/5.3	2350/2375	3.0	"
20	1.35/5.1	2315/2335	3.6	"
30	1.29/4.9	2265/2290	4.3	"
40	1.24/4.7	2230/2255	4.9	"
50	1.19/4.5	2190/2210	5.5	"
60	1.15/4.3	2155/2170	6.0	"
70	1.07/4.0	2120/2135	6.6	"
80	0.97/3.7	2090/2100	7.2	"
90	0.81/3.1	2050/2060	7.7	"
100	0.62/2.3	2015/2030	8.2	"
120	0.21/0.8	1960/1965	9.2	"

*-SPECIFICATIONS SUBJECT TO CHANGE WITHOUT NOTICE.  
 -ALL DATA BASED ON TESTING WITH WATER AT AMBIENT TEMPERATURE.*