



**MARINE** PRODUCT DATA SHEET  
**OEM: 357-114-00 (800 GPH)**  
**AFTERMARKET: 357-114-10 (800 GPH)**

Everything you are looking for in an aerator pump. Our tough, high density nylon housing and heavy duty water cooled motor give the SHURflo Aerator Pumps unparalleled reliability. Patented anti-airlock feature allows the pump to clear trapped air in rough water or when the boat is anchored. All Piranha Series Aerator Pumps have a removable cartridge for easy cleaning.

**TYPICAL APPLICATIONS**

12V DC Bait/Livewell Application. For other applications, contact SHURflo.

**PUMP**

Type: Centrifugal Pump  
 Output Port: 3/4" Barb  
 Intake Port: 3/4" NPS-M  
 Liquid: 130 °F [54 °C] Max  
 Prime: Flooded Inlet  
 Inlet PSI: 30 PSI [2.1 Bar] Max  
 Run Dry: No

**ELECTRICAL**

Motor: 12VDC Permanent Magnet, Continuous Duty  
 Protection: External Fuse  
 Leads: 6 ft (1.8M) Tinned, 16 AWG  
 Fuse: 6 Amp Recommended  
 Control: No Control

**MATERIALS**

Housing: High Strength Nylon  
 Impeller: High Strength Nylon  
 Hardware: Stainless Steel

**APPROVALS**

Ignition Protected, CE, ISO 8846

**WARRANTY**

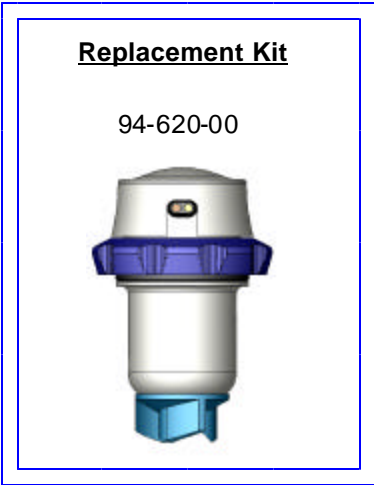
2 Year Limited Warranty  
 See SB-1050 For Full Warranty Details

**SHIPPING**

Net Weight (Boxed): 1.5 Lb (0.68 Kg) each  
 Carton Weight: 27 Lb [12.2 Kg]  
 Pumps in carton: 18  
 Carton Size: 24"L x 18"W x 11" H [61 cm x 46 cm x 28 cm]

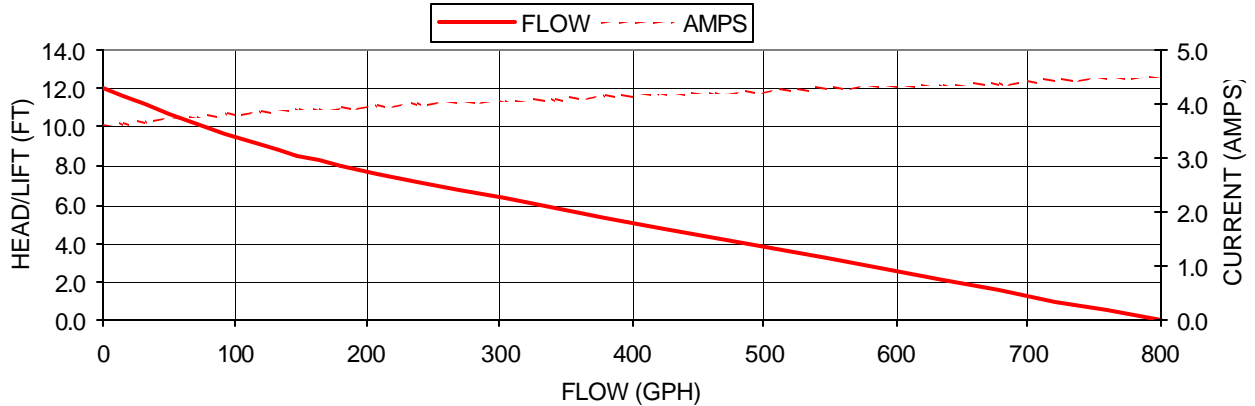
**RELATED DOCUMENTS**

Catalog: MS-030-140  
 Installation Manual: 911-611-00  
 Maintenance: 911-611-00  
 Applications Spec Guide: MS-020-005  
 Warranty: SB-1050

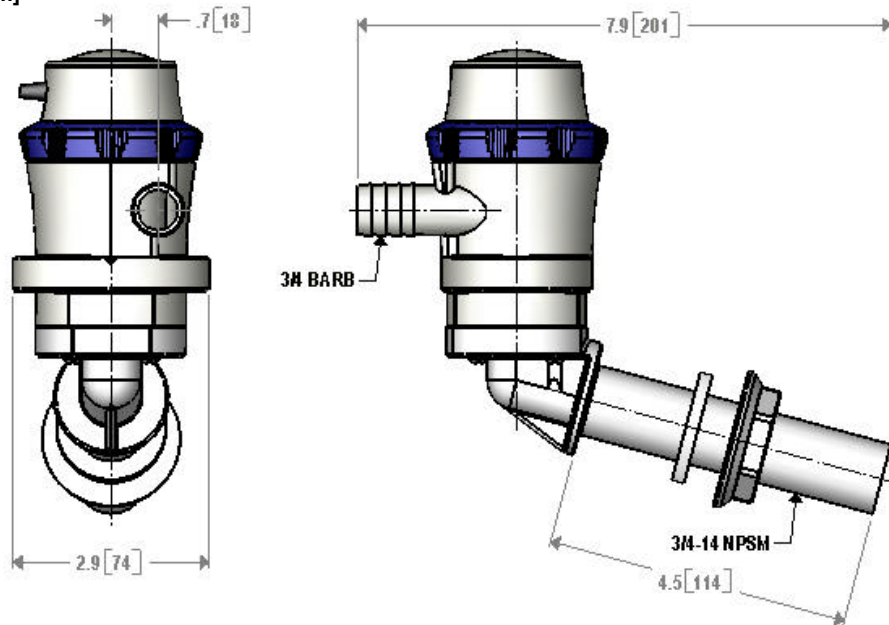


PERFORMANCE @ 13.6V DC

PRESSURE		FLOW		CURRENT
METERS	FT OF HEAD	GPH	LPH	AMPS
0.0	0	800	3837	4.50
2.4	8	180	1249	3.94
3.6	12	0.0	0.0	3.60



DIMENSIONS [mm]



\*ISO Registered Facility SHURflo reserves the right to update specifications, prices, or make substitutions.

SHURflo \*  
 5900A Katella Ave.  
 Cypress, Ca. 90630  
 (800) 854-3218 (562) 795-5200  
 FAX (562) 795-7554  
 Shipping/UPS: 5900C Katella Ave.  
 Cypress, Ca. 90630

SHURflo East  
 52748 Park Six Court  
 Elkhart, IN 46514-5427  
 (800) 762-809 (574) 262-0478  
 FAX (574) 264-2169  
 Http://www.shurflo.com  
 ©2001

SHURflo Ltd. \*  
 Unit 5 Sterling Park  
 Gatwick Road, Crawley  
 West Sussex, RH10 2QT  
 United Kingdom  
 +44 1293 424000  
 FAX +44 1293 421880

