



**MARINE** PRODUCT DATA SHEET  
**OEM: 357-013-00 (600 GPH)**  
**AFTERMARKET: 357-013-10 (600 GPH)**

Everything you are looking for in a livewell pump. Our tough, high density nylon housing and heavy duty water cooled motor give the SHURflo Livewell Pumps unparalleled reliability. Patented anti-airlock feature allows the pump to clear trapped air in rough water or when the boat is anchored. The dual port fitting allows for easy washdown pump connections. All Piranha Series Livewell Pumps have a removable cartridge for easy cleaning.

**TYPICAL APPLICATIONS**

12V DC Bait/Livewell Application. For other applications, contact SHURflo.

**PUMP**

Type: Centrifugal Pump  
 Output Port: 3/4" Barb  
 Intake Port: 3/4" NPT-M  
 Wash Down Port: 1/2" NPT-F  
 Liquid: 130 °F [54 °C] Max  
 Prime: Flooded Inlet  
 Inlet PSI: 30 PSI [2.1 Bar] Max  
 Run Dry: No

**ELECTRICAL**

Motor: 12VDC Permanent Magnet, Continuous Duty  
 Protection: External Fuse  
 Leads: 6 ft (1.8M) Tinned, 16 AWG  
 Fuse: 4 Amp Recommended  
 Control: No Control

**MATERIALS**

Housing: High Strength Nylon  
 Impeller: High Strength Nylon  
 Hardware: Stainless Steel

**APPROVALS**

Ignition Protected, CE, ISO 8846

**WARRANTY**

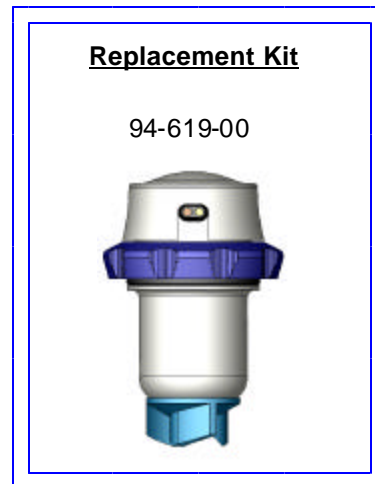
2 Year Limited Warranty  
 See SB-1050 For Full Warranty Details

**SHIPPING**

Net Weight (Boxed): 1.4 Lb (0.63 Kg) each  
 Carton Weight: 33 Lb [15 Kg]  
 Pumps in Carton: 24  
 Carton Size: 24"L x 18"W x 11" H [61 cm x 46 cm x 28 cm]

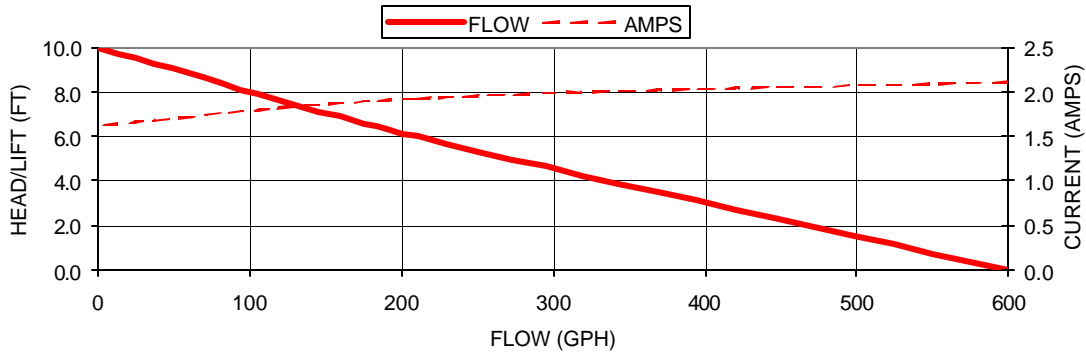
**RELATED DOCUMENTS**

Catalog: MS-030-140  
 Installation Manual: 911-611-00  
 Maintenance: 911-611-00  
 Applications Spec Guide: MS-020-005  
 Warranty: SB-1050

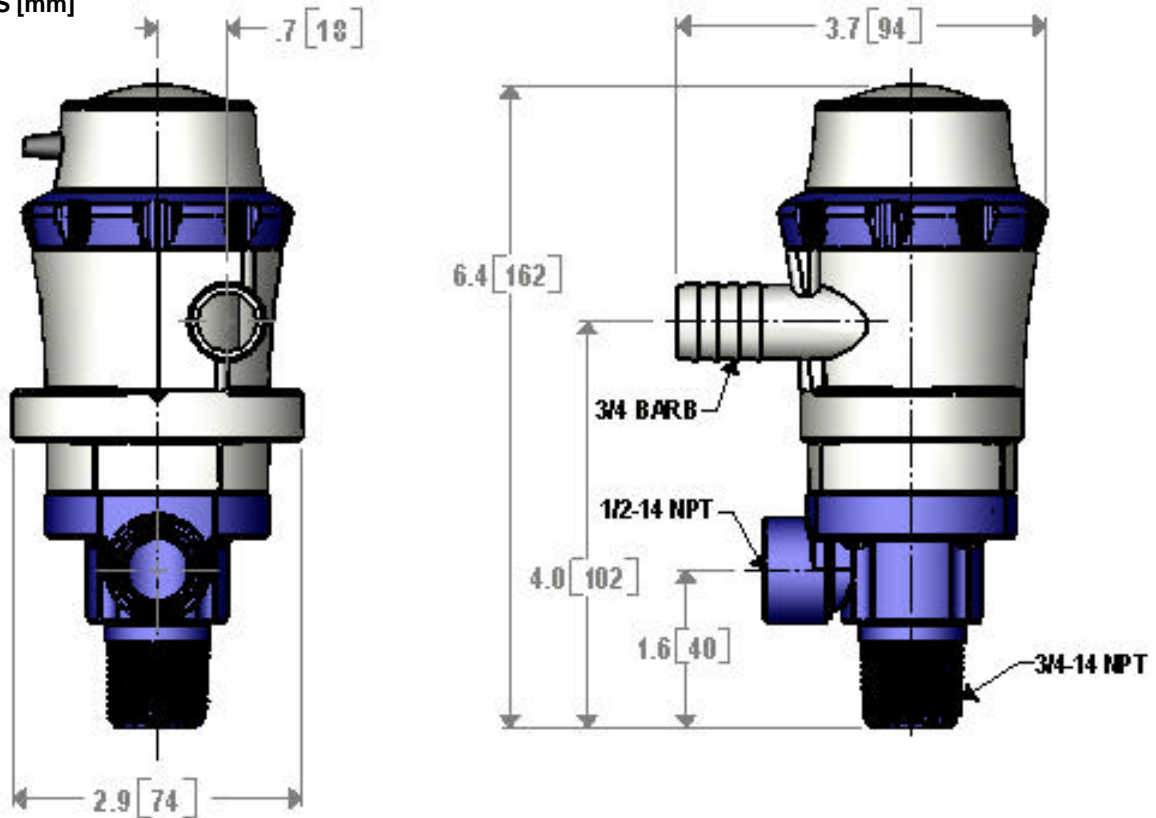


PERFORMANCE @ 13.6V DC

PRESSURE		FLOW		CURRENT
METERS	FT OF HEAD	GPH	LPH	AMPS
0.0	0	600	2271	2.11
1.80	6	210	794	1.93
3.00	10	0.0	0.0	1.62



DIMENSIONS [mm]



SHURflo reserves the right to update specifications, prices, or make substitutions.

SHURflo \*  
 \*ISO Registered Facility 5900A Katella Ave.  
 Cypress, Ca. 90630  
 (800) 854-3218 (562) 795-5200  
 FAX (562) 795-7554  
 Shipping/UPS: 5900C Katella Ave.  
 Cypress, Ca. 90630

SHURflo East  
 52748 Park Six Court  
 Elkhart, IN 46514-5427  
 (800) 762-809 (574) 262-0478  
 FAX (574) 264-2169  
 Http://www.shurflo.com  
 ©2001

SHURflo Ltd. \*  
 Unit 5 Sterling Park  
 Gatwick Road, Crawley  
 West Sussex, RH10 2QT  
 United Kingdom  
 +44 1293 424000  
 FAX +44 1293 421880

