



## MARINE PRODUCT DATA SHEET

OEM: 2901-0203  
AFTERMARKET: 2901-0213

The Next Generation SHURflo pumps guarantee quiet operation and smooth performance while providing the ultimate in durability and reliability. Designed and built specially for the harsh marine environment, the Next Generation SHURflo pumps are equipped with sealed switches and seamless e-coated motors.

### TYPICAL APPLICATIONS

Multi-fixture marine fresh water installation. Other uses may include 12V DC pressurized water systems in cabins. This pump may be used for general water transfer. For other applications contact SHURflo.

#### **PUMP:**

Type: 3 Chamber Diaphragm  
Ports: 1/2"-14 NPSM-Male.  
Liquid: 130 °F [54 °C] Max  
Prime: 6 feet [1.82 M]  
Inlet PSI: 30 PSI [2.1 Bar] Max  
Run Dry: Yes

#### **ELECTRICAL:**

Motor: 12VDC Permanent Magnet, Intermittent Duty  
Protection: Thermal Overload, Automatic Restart  
Leads: 16 AWG, 16" [40 cm] Red +, 13" [33 cm] Black -  
Fuse: 7 Amp Recommended  
Control: Adjustable Switch. Shut-Off 30 PSI [2.0 Bar] ± 5 PSI [0.4 Bar]  
Restart 15 PSI [1.0 Bar] ± 5 PSI [0.4 Bar]

#### **MATERIALS:**

Housing: Polypro  
Valves: EPDM  
Diaphragm: Santoprene  
Hardware: Stainless Steel

#### **APPROVALS:**

Ignition Protected, CE, ISO 8846

#### **WARRANTY:**

3 Year Limited Warranty  
See SB-1050 For Full Warranty Details

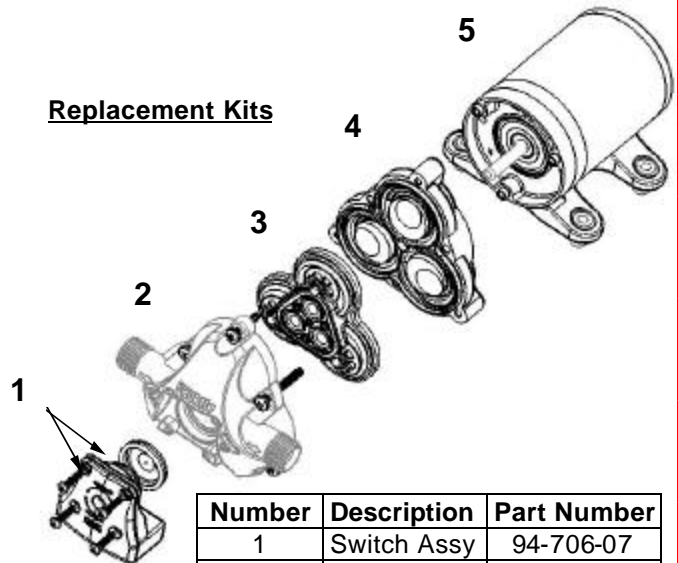
#### **SHIPPING:**

Net Weight (Boxed): 4.8 Lb [2.2 Kg] each  
Carton Weight: 58 Lb [26.3 Kg]  
Carton Size: 24"L x 18"W x 11"H  
[60.9 cm x 45.7 cm x 27.9 cm]

#### **RELATED DOCUMENTS:**

Catalog: MS-030-140  
Installation Manual: 911-740  
Maintenance: 911-740  
Applications Spec Guide: MS-020-005  
Warranty: SB-1050

#### **Replacement Kits**

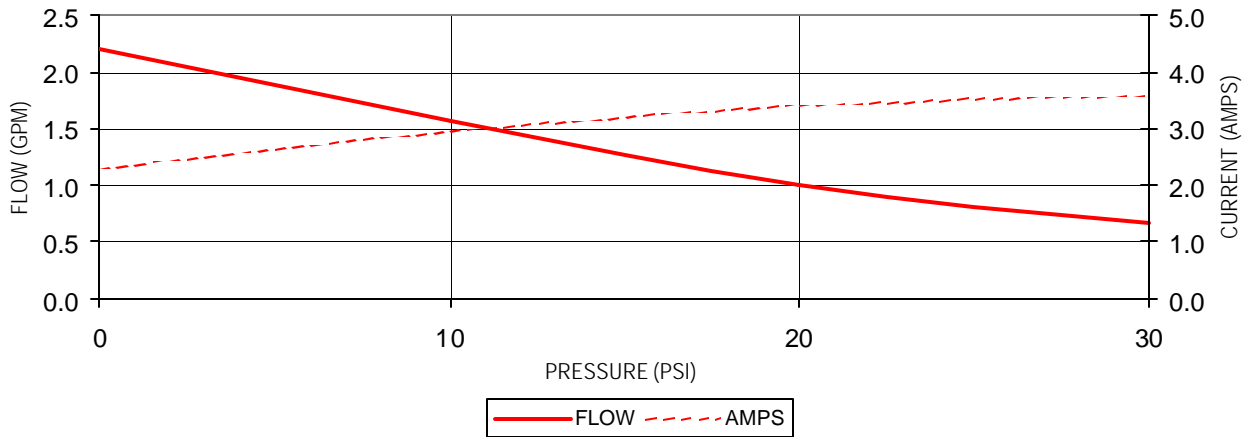


Number	Description	Part Number
1	Switch Assy	94-706-07
2	Upper Hsg	94-706-01
3	Valve Assy	94-706-02
4	Drive Assy	94-706-06
5	Motor	77-035-17

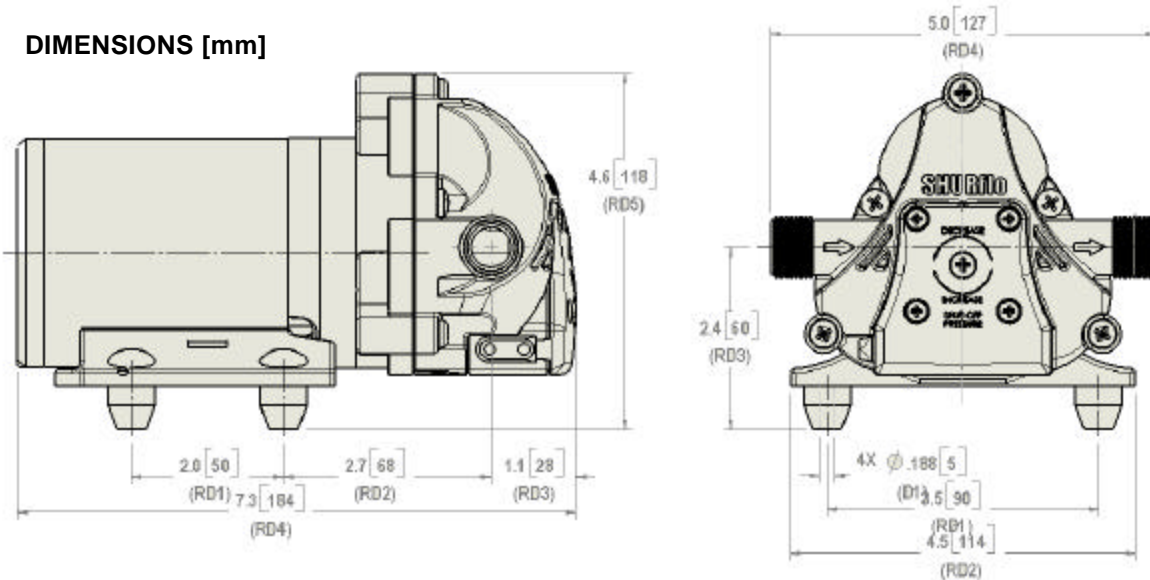


PERFORMANCE @ 12V DC

PRESSURE		FLOW		CURRENT
BAR	PSI	GPM	LPM	AMPS
0.0	0	2.20	8.32	2.30
0.7	10	1.58	5.98	2.95
1.4	20	1.00	3.78	3.41
2.1	30	0.68	2.57	3.60



DIMENSIONS [mm]



\*ISO Registered Facility SHURflo reserves the right to update specifications, prices, or make substitutions.

SHURflo \*  
 5900A Katella Ave.  
 Cypress, Ca. 90630  
 (800) 854-3218 (562) 795-5200  
 FAX (562) 795-7554  
 Shipping/UPS: 5900C Katella Ave.  
 Cypress, Ca. 90630

SHURflo East  
 52748 Park Six Court  
 Elkhart, IN 46514-5427  
 (800) 762-809 (574) 262-0478  
 FAX (574) 264-2169  
 Http://www.shurflo.com  
 ©2001

SHURflo Ltd. \*  
 Unit 5 Sterling Park  
 Gatwick Road, Crawley  
 West Sussex, RH10 2QT  
 United Kingdom  
 +44 1293 424000  
 FAX +44 1293 421880

