

**SPECIFICATIONS:**

**MODEL NUMBER:** 2088-443-144

**PUMP DESIGN:** Positive Displacement 3 Chamber Diaphragm Pump

**CHECK VALVE:** (1-Way Operation) Prevents Reverse Flow

**CAM:** 3.0 Degree

**MOTOR:** Permanent Magnet, P/N 11-111-00

**VOLTAGE:** 12 VDC Nominal

**PRESSURE SWITCH:** Factory Set @ 45 PSI Shut-Off, Turn On  $25 \pm 5$  PSI  
Adjustable From 30 to 50 PSI

**LIQUID TEMPERATURE:** 130 Degrees Fahrenheit (54 Degrees Centigrade) Max.

**PRIME:** Self-Priming Up To 9 Ft. Vertical,  
Max. Inlet Pressure 30 PSI (2.1 Bar)

**PORTS:** 1/2" - 14 Male Parallel Thread

**MATERIAL OF CONSTRUCTION:**

**PLASTICS-** Polypropylene

**VALVES-** Santoprene

**DIAPHRAGM-** Santoprene

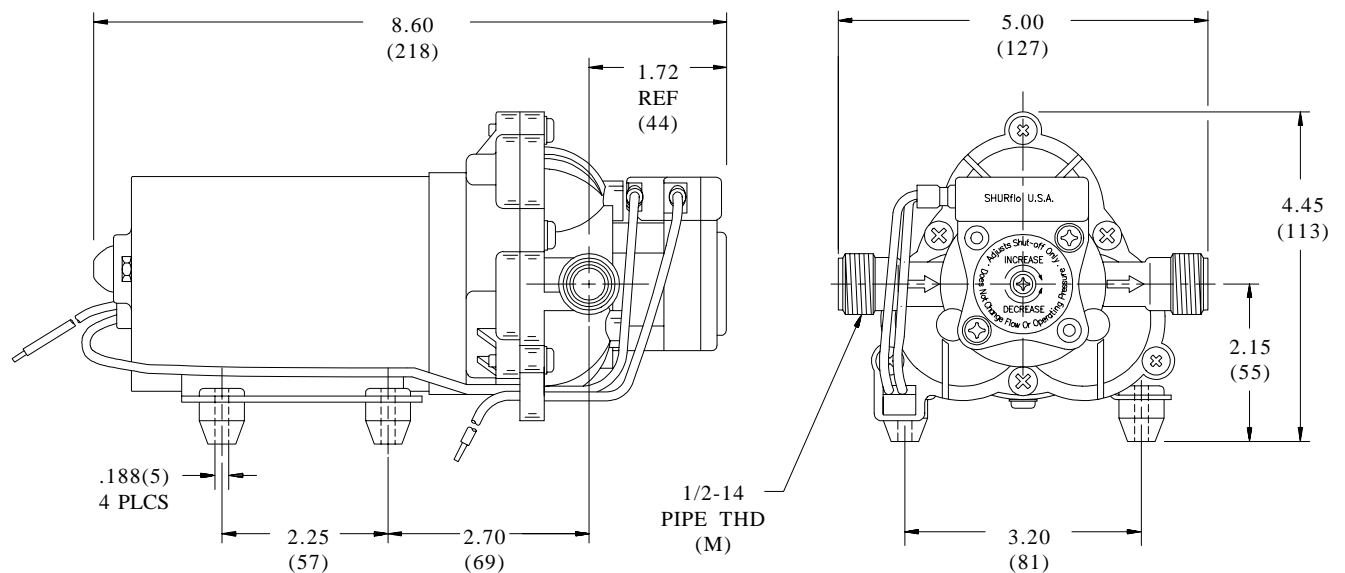
**FASTENERS-** Zinc Plated Steel

**NET WEIGHT:** 4.8 Lbs (2.18 Kg)

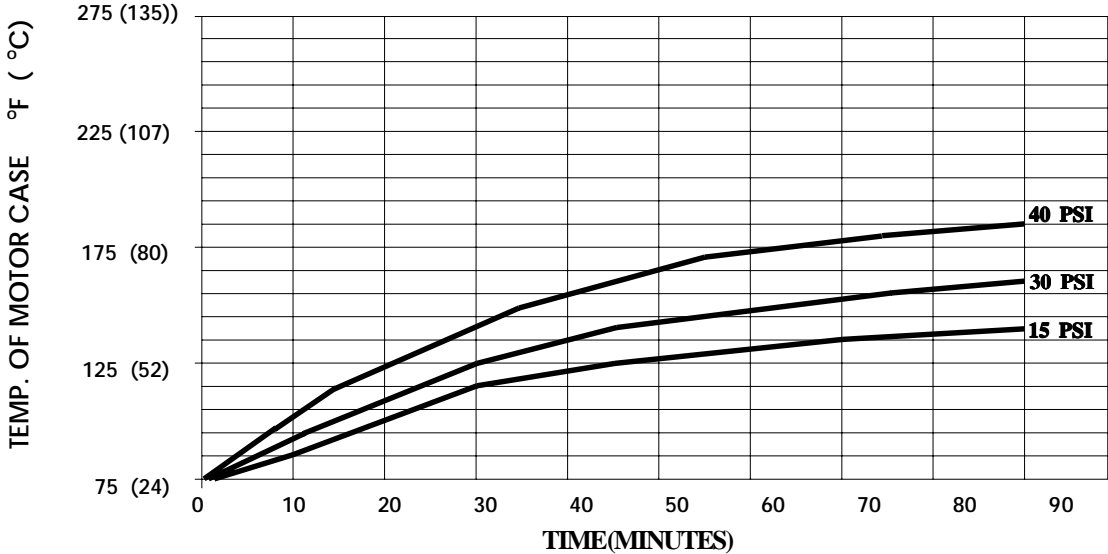
**DUTY CYCLE:** intermittent (See Temperature Rise Chart)

**TYPICAL APPLICATIONS:** Water Delivery

**DIMENSIONS:**

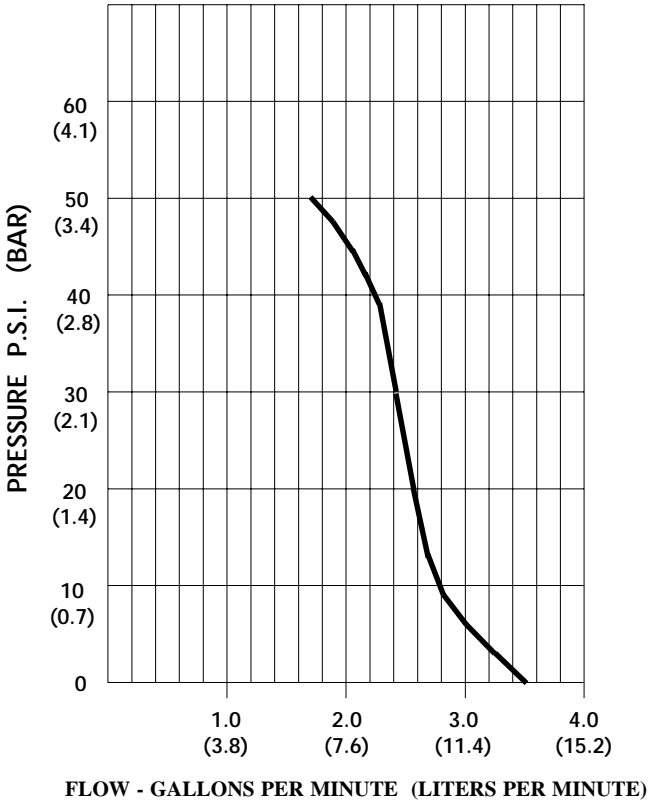


**TEMPERATURE RISE**



THIS GRAPH IS FOR USE AS A DESIGN GUIDE. IT IS BASED ON RUNNING CONTINUOUSLY WITH AN AMBIENT TEMPERATURE OF 75° F IN STILL AIR.

**TYPICAL PERFORMANCE**



PRESSURE (PSI)	FLOW (GPM/LIT)	RPM MIN/MAX	CURRENT (AMPS)	VOLTAGE (VOLTS)
OPEN	<b>3.50/13.2</b>	<b>2160/2210</b>	<b>5.3</b>	<b>12 VDC</b>
10	<b>2.83/10.7</b>	<b>2130/2180</b>	<b>5.8</b>	"
20	<b>2.56/9.7</b>	<b>2050/2110</b>	<b>7.0</b>	"
30	<b>2.31/8.7</b>	<b>2015/2030</b>	<b>8.0</b>	"
40	<b>2.02/7.6</b>	<b>1960/1975</b>	<b>9.1</b>	"
50	<b>1.75/6.6</b>	<b>1915/1930</b>	<b>9.9</b>	"

*-SPECIFICATIONS SUBJECT TO CHANGE WITHOUT NOTICE.  
-ALL DATA BASED ON TESTING WITH WATER.*