

### SPECIFICATIONS:

**MODEL NUMBER:** 100-030-10

**PUMP DESIGN:** Positive Displacement Wobbler Pump

**MOTOR:** Permanent Magnet, P/N 11-176-00

**VOLTAGE:** 24VDC Nominal

**LIQUID TEMPERATURE:** 130 Degrees Fahrenheit Max.

**PRIME:** Self-Priming Up To 3 in. Vertical,  
Max. Inlet Pressure 30 PSI (2.1 Bar)

**PORTS:** 3/8" Barb

**MATERIAL OF CONSTRUCTION:**

**PLASTICS-** Ryton R-4

**ELASTOMERS-** EPDM/Nitrile-Butadiene

**ROTOR INSERT-** Brass

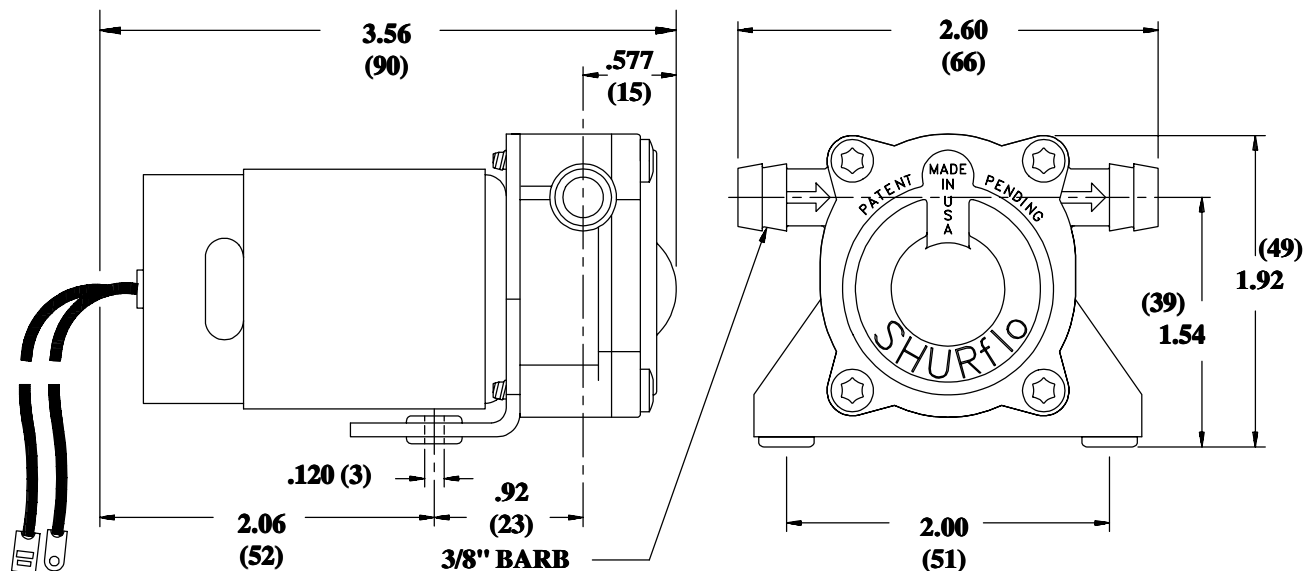
**FASTENERS-** Zinc Plated Steel

**NET WEIGHT:** .65 Lbs (.29 Kg)

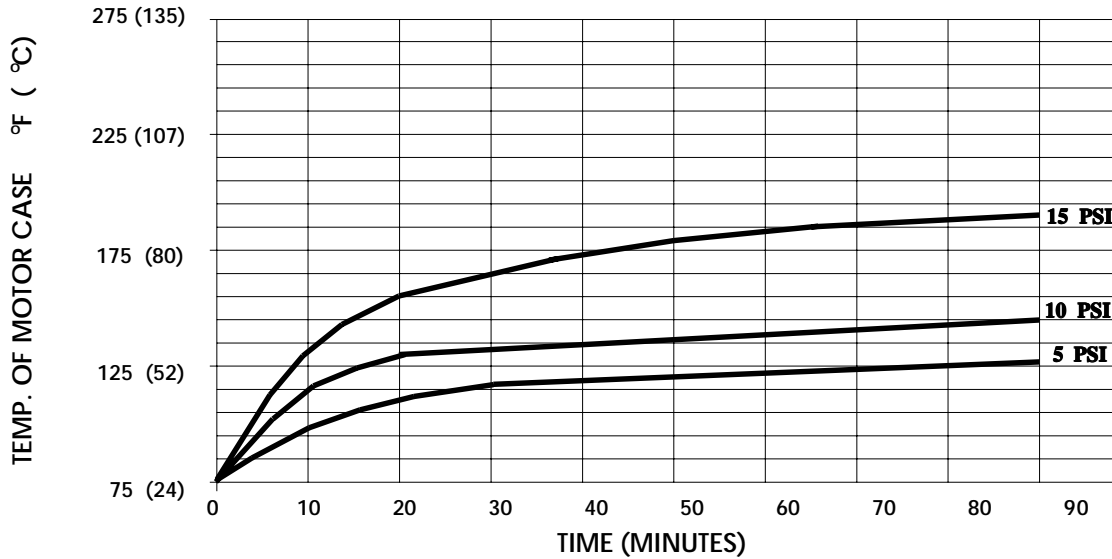
**DUTY CYCLE:** Intermittent (See Temperature Rise Chart)

**TYPICAL APPLICATIONS:** Low Pressure Liquid Transfer

### DIMENSIONS:

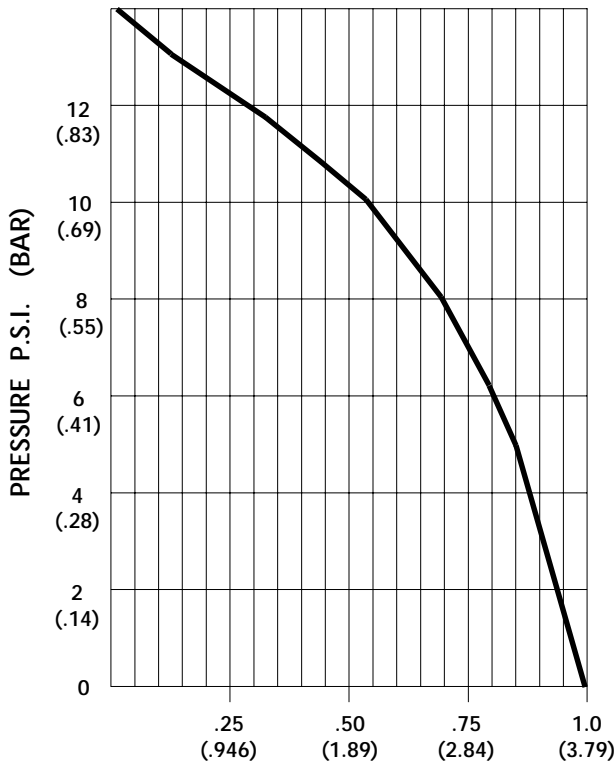


**TEMPERATURE RISE**



THIS GRAPH IS FOR USE AS A DESIGN GUIDE. IT IS BASED ON RUNNING CONTINUOUSLY WITH AN AMBIENT TEMPERATURE OF 75° F IN STILL AIR.

**TYPICAL PERFORMANCE**



PRESSURE (PSI)	FLOW (GPM/LIT)	RPM MIN/MAX	CURRENT (AMPS)	VOLTAGE (VOLTS)
OPEN	<b>1.00/3.8</b>	<b>2190/2265</b>	<b>0.8</b>	<b>24VDC</b>
5	<b>0.77/2.9</b>	<b>2060/2145</b>	<b>0.9</b>	"
10	<b>0.43/1.6</b>	<b>1950/2000</b>	<b>1.1</b>	"
15	<b>0.01/.03</b>	<b>1820/1920</b>	<b>1.4</b>	"

FLOW - GALLONS PER MINUTE (LITERS PER MINUTE)

*-SPECIFICATIONS SUBJECT TO CHANGE WITHOUT NOTICE.*

*-ALL DATA BASED ON TESTING WITH WATER.*