

The new **CleanGear™** has only two moving parts making it simple and durable. The tool-less design allows for easy pump installation, removal and cleaning teardown.

"The **CleanGear™** Pump is a whole new concept that will provide new opportunities in the sanitary markets."

-Iver Phallen,
Oden Corporation



Features

Product Description: High quality stainless steel Clean-Out-Of-Place (C.O.P) sanitary low speed positive displacement rotary gear pump. A design that is simple, durable and economical with only two moving parts and one shaft seal.

Construction Materials: Investment cast 316L SS pump body and 1.5" Tri-Clamp Ports, Teflon bearing liners, 17-4 PH hardened SS gears, oversized SS shafts with spline drive coupler and heavy cast SS mounting base.

Pumping Capacity: Drive speeds to 500 rpm, up to 6 gpm, viscosities exceeding 100,000 cps, maximum pressure of 150 psi*, and temperature range (-20°F to 250°F).

Flexibility and Options: Interchangeable gear sizes with capacities of 1.5 gpm, 3 gpm and 6 gpm, shaft seal options include dynamic O-ring, mechanical or lip seal and multiple pump mounting and port direction options.

Sanitary Use and Approval Listings Include: 3A, USDA, and NSF 51.

Benefits

Premium rotary gear pump with an economical price tag provides a low cost alternative to traditional sanitary pumps. Designed for extended use with simple tool-less pump installation, removal and cleaning teardown.

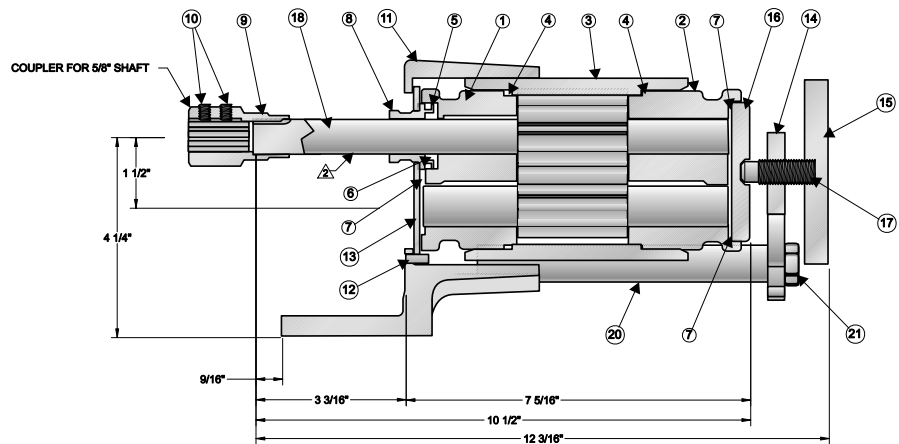
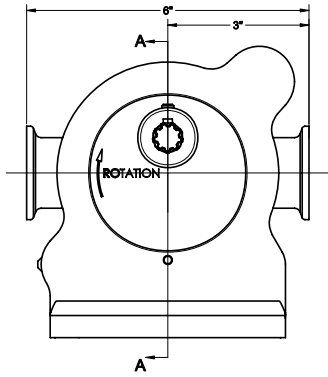
Industrial corrosion resistant stainless steel components provide for maximum pump life in non-lubricating fluids, sanitary liquids, tough solvents or other harsh chemicals.

Diversified fluid handling capabilities for non-particulated low to high viscosity liquids in the full range of sanitary applications and industries.

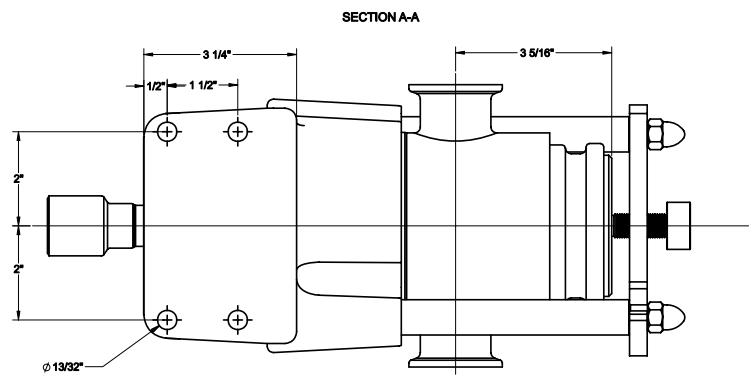
Quick and easy gear size changes and seal options provide versatile and flexible functionality all in one pump. Pump ports can be oriented at various angles, including vertical, allowing for free draining. Fully approved smart drives, Servo-Pump and dosing modules are available.

Sanitary and food grade use for metering, transfer and process applications in food, pharmaceutical, bio-medical, cosmetic and personal care markets.

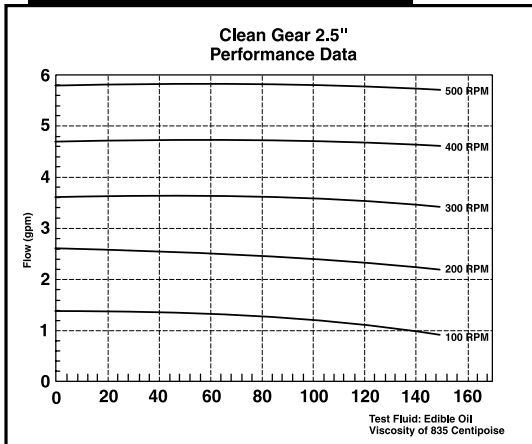
Dimensions & Parts



ITEM NO.	QTY.	PART NO.	DESCRIPTION
1	1	23707	LINER - DRIVE END
2	1	23708	LINER - TAIL END
3	1	23732	BODY - MACHINED
4	2	23713	O-RING 2-147 VITON V680-70
5	1	23714	O-RING 2-147 VITON V680-70
6	1	23728	O-RING 2-147 VITON V680-70
7	3	23743	O-RING 2-147 VITON V680-70
8	1	23739	SEAL GLAND
9	1	23676	SPLINE COUPLING - 5/8" SHAFT
10	2	18945	SET SCREW 1/4-20 UNC X 5/16" SST
11	1	23703	BASE - MACHINED
12	1	23716	DOWEL PIN 3/16" X 1/2" SST
13	1	23717	RETAINER PLATE
14	1	23722	BAR - CLAMP
15	1	23730	HANDLE - ADJUSTMENT SCREW
16	1	23772	LINER END CAP
17	1	23773	ADJUSTMENT SCREW
18	1	23735	DRIVE SHAFT - GEAR ASSY
19	1	23733	DRIVE SHAFT
		23645	GEAR
19	1	23738	IDLER SHAFT - GEAR ASSY
		23736	IDLER SHAFT
		23737	GEAR
20	2	23779	STAND-OFF
21	2	2250-0081	ACORN NUT 3/8-16 UNC SST



Performance



Sanitary
Clean-Out-Of-Place
(C.O.P.)
Stainless Steel Gear
Pump Solution
Patent Pending



INDUSTRIAL PRODUCTS GROUP