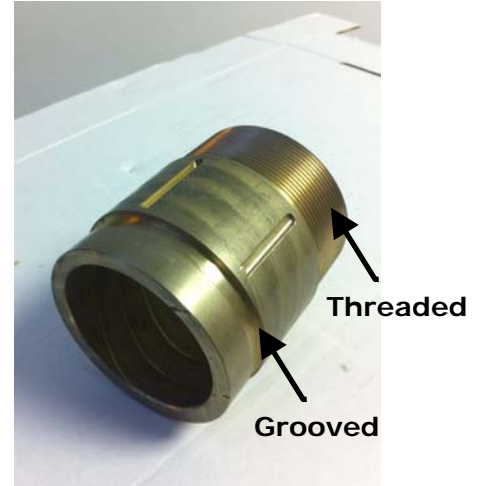


Fittings – Grooved to Male Pipe Thread

Item #	Case Flange Size	Pipe Size	Thread	Material	Length inches
PVC Fittings - Grooved to Thread					
189.001.277	1-1/2	1-1/2	NPT	PVC	Optional
189.001.276	2	2	NPT	PVC	Optional
189.001.331	2	2	NPT	PVC	6.00
189.001.328	2	2	NPT	PVC	6.00
189.001.275	2-1/2	2-1/2	NPT	PVC	Optional
189.001.332	2-1/2	2-1/2	NPT	PVC	6.00
189.001.329	2-1/2	2-1/2	BSPT	PVC	6.00
189.001.274	3	3	NPT	PVC	Optional
189.001.333	3	3	NPT	PVC	6.00
189.001.330	3	3	BSPT	PVC	6.00



Item # 189.001.282

Fittings for use on 58000 and 70000 Pump Cases

Bronze Fittings - Grooved to Thread

189.001.245	2	2	NPT	Bronze	4.13
189.001.281	2	2	BSPT	Bronze	4.13
189.001.248	2-1/2	2-1/2	NPT	Bronze	4.13
189.001.280	2-1/2	2-1/2	BSPT	Bronze	4.13
189.001.282	3	3	NPT	Bronze	4.13
189.001.279	3	3	BSPT	Bronze	4.13

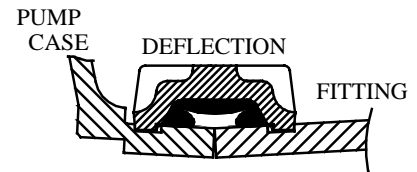
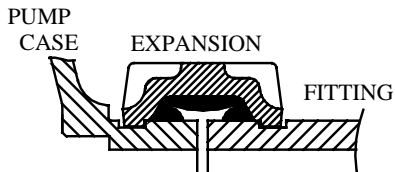
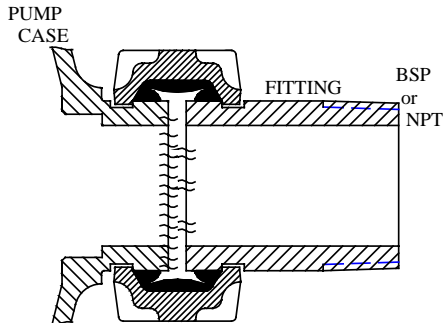
Flexible Coupling Style 75
Rated 500 psi
Manufactured by VICTAULIC
www.victaulic.com

Bronze and PVC fittings
manufactured by
SCOT PUMP

Flexible Couplings

Noise and Vibration

The basic design of independent pipe sections reduces noise and vibration transmission. This delivers superior vibration attenuation to the system.

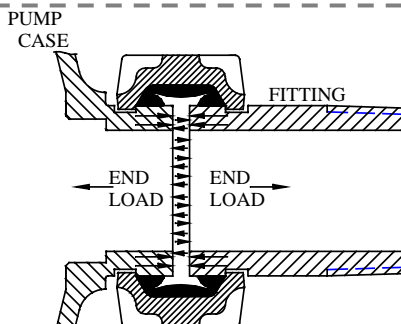


Flexibility

The grooved end accommodates expansion, contraction, and deflection.

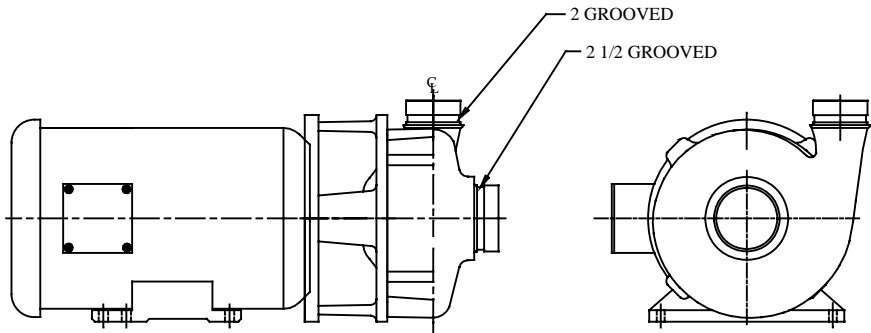
Stress Absorption

The full engagement of the housing keys into grooves around the pipe circumference provides significant pressure restraint and end load capability to withstand pipe movement from internal and external sources. Grooved systems are widely used on high pressure fire systems.

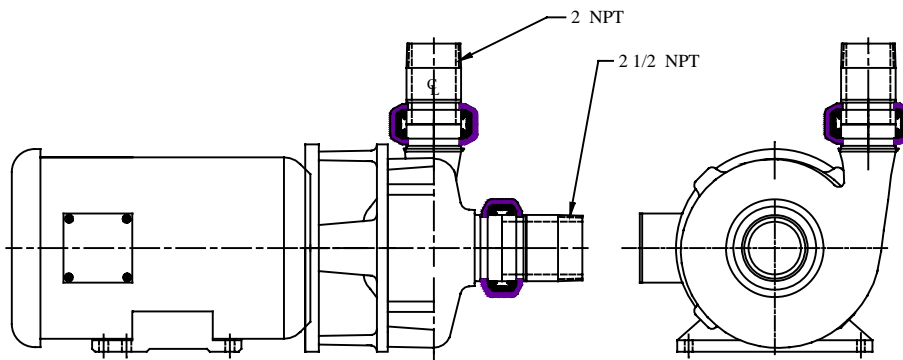


Pump Case Grooved Fittings

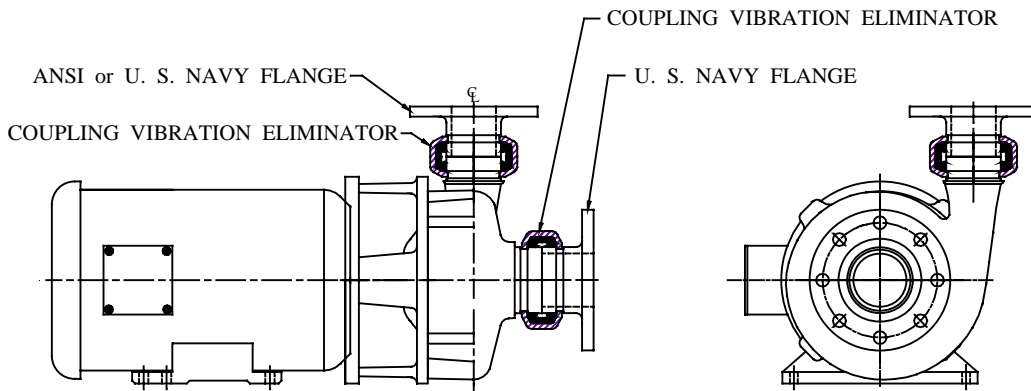
NPT and BSP Threads



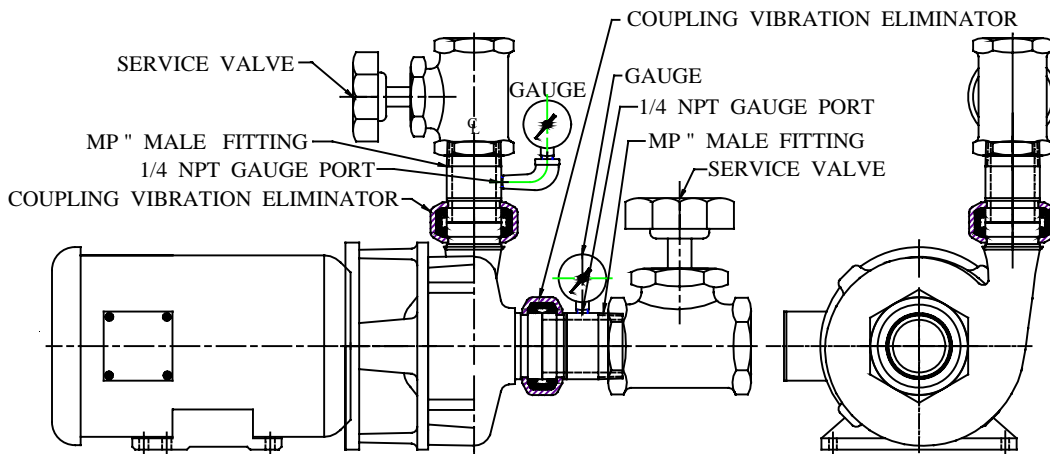
Basic Pump
58000 and 70000 models



Basic Pump with flexible
coupling and BSP or NPT
fitting



Basic Pump with flexible
coupling and
A. U.S. Navy flange
Or B. 100-40 Flange x NPT
adapter
Or C. BSP or NPT fitting with
companion flange



Shows service
valves and gauges
installed on the
pump via threaded
fittings.