

MOTOR DIMENSIONS

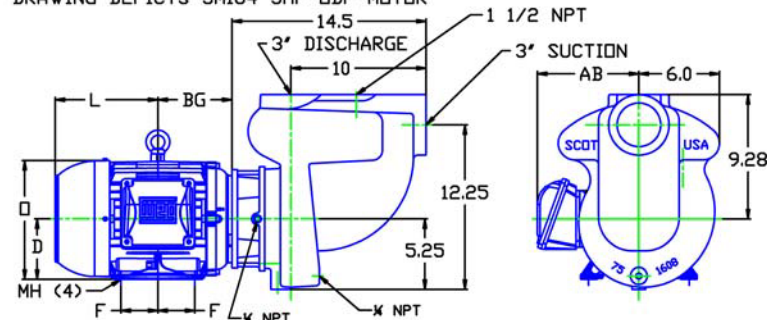
NEMA PREMIUM EFFICIENT JM FRAME 3 PHASE 3500 RPM

HP	Type	Frame	D	E	F	O	AB	BG	L	MH
7.5	ODP	JM184	4.50	3.75	2.25	8.44	6.74	5.75	6.56	0.41
10	ODP	JM213	5.25	4.25	2.75	10.03	7.92	7.00	6.94	0.43
7.5	TEFC	JM184	4.50	3.75	2.75	9.34	7.57	5.51	7.64	0.41
10	TEFC	JM215	5.25	4.25	3.50	10.37	8.19	6.77	9.16	0.41

Pump uses a portion of the motor service factor at 7.5HP.
A 10HP motor is non-overloading throughout the curve.

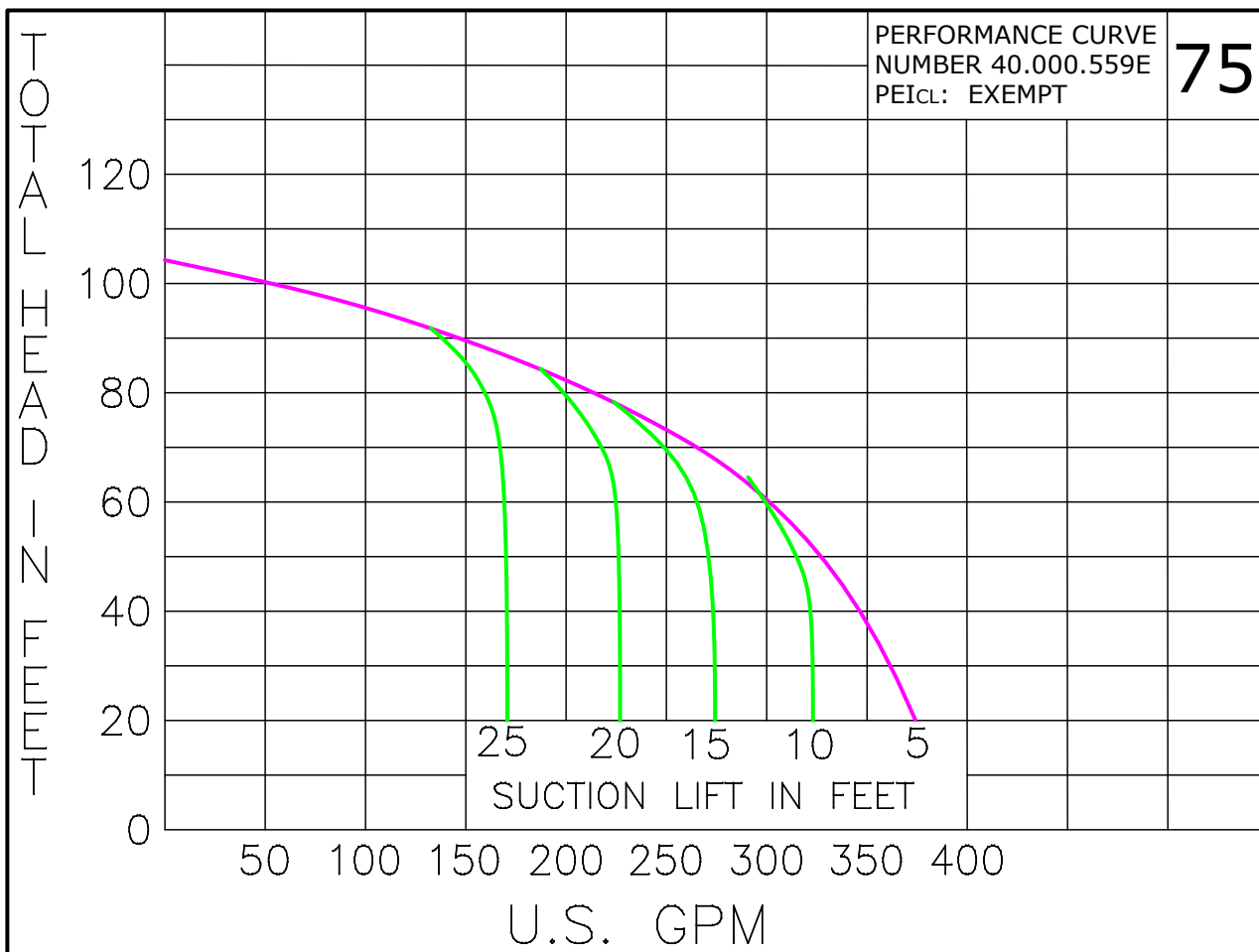
D075JM184

DRAWING DEPICTS JM184 5HP ODP MOTOR



ALL DIMENSIONS IN INCHES

DRAWING REPRESENTS APPROXIMATE PUMP DIMENSIONS.



07510TE

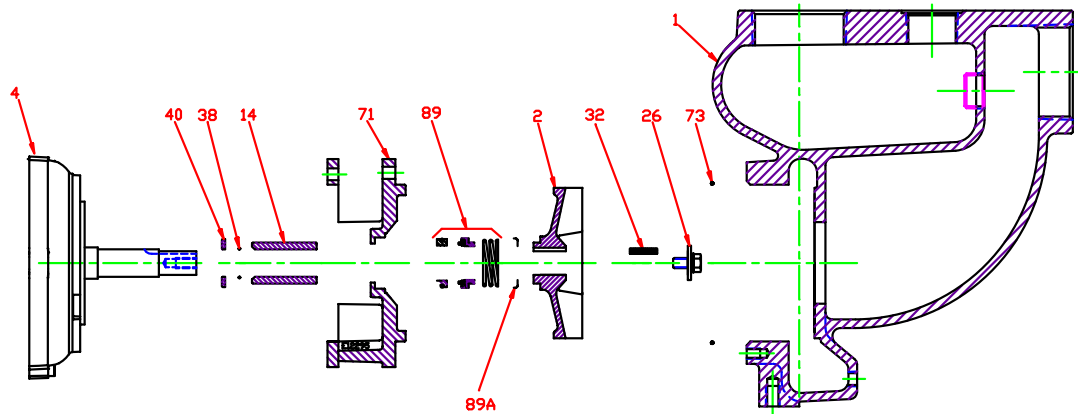
D075JM184
07573500

75
JM

07573500JM
81.001.167

B20

Pump 75 • Iron • 7.5 HP • JM Frame • 3500 RPM



KEY NO.	PART NAME	7.5 - 10 HP
1	CASE, IRON, 3 x 3 NPT	130.000.295X
2	IMPELLER, 7/8" KEYED, SEMI-OPEN, 5.50" DIAMETER:	
	IRON	131.000.304
4	MOTOR	
	JM140/180 JM210	See Chart See Chart
14*	SHAFT SLEEVE	
	BRONZE STAINLESS	110.000.178 110.000.192
26*	IMPELLER RETAINER, STAINLESS	118.000.597
32*	KEY, STAINLESS	102.000.102
38*	O-RING, SHAFT	
	BUNA VITON	116.000.117 116.000.105
40*	FLINGER, STAINLESS	104.000.165A
71	ADAPTER, IRON	
	JM140/180 JM210	132.000.194X 132.000.195X
73*	GASKET, CASE, BUNA	116.000.146
89*	1½" SEALS:	
	TYPE 21, BN-CARB/CM	101.000.168
	TYPE 21, VN-CARB/CM	101.000.191
	TYPE 21, VN-CARB/SIL	101.000.175
89A*	SEAL RETAINER, STAINLESS	104.000.202
--	° REPAIR KITS:	
	BN-CARB/CM SEAL	118.000.527A
	VN-CARB/CM SEAL (S)	118.000.527
	VN-CARB/SIL SEAL	118.000.527B
	VN-CARB/SIL SEAL (S)	118.000.527C

* DENOTES COMPONENTS INCLUDED IN REPAIR KIT.
 ° ALL REPAIR KITS INCLUDE THE BRONZE SHAFT SLEEVE EXCEPT THE (S) INDICATED, WHICH IS STAINLESS WITH VITON SHAFT O-RING.

E075JM

E15

P07573500JM