



Product Catalog



ITT Industries
Engineered for life



Company Profile

Quality. Assurance. Phenomenal Customer Care. These are words that we at Rule stand by every day, and have for the past 30 years.

As we enter the new millennium, the need to create innovative, reliable products becomes an even greater challenge and priority. In the highly competitive, ever expanding global marketplace, products that prove their durability, safety and value will stand the test of time, and guarantee continued growth as well as customer loyalty and satisfaction.


In 1998 Rule was acquired by ITT Industries and joined the Jabsco Worldwide family of companies including ITT Industries Jabsco and ITT Industries Flojet. This new synergistic alliance joins the strengths, expertise and resources of three companies, thereby guaranteeing the accelerated development and introduction of innovative marine products of the highest quality.

We invite you to review our latest catalog. You will find in its pages, a wide range of premium products that will enhance your boating experience.

This year's Rule product offering promises to be the best ever. With the addition of some very exciting new products, Rule continues to develop the finest marine and recreational pumps, compasses, blowers, electronics, switches, boat care products and winches.

Image courtesy of Sunseeker International Ltd and Fairline Boats plc

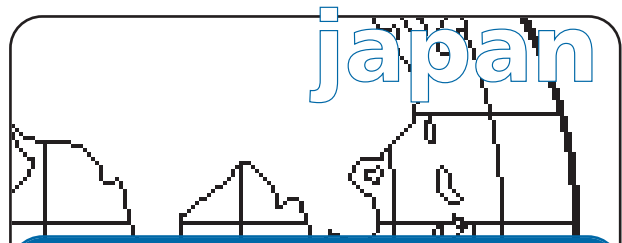
®, ™ Property of ITT Industries



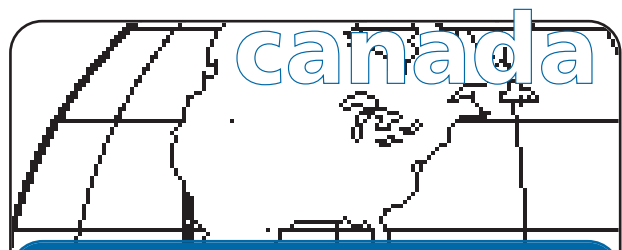
Rule, Rule Industries, Cape Ann Industrial Park, Gloucester, MA 01930
Tel: +1 978 281 0440 Fax: +1 978 283 2619



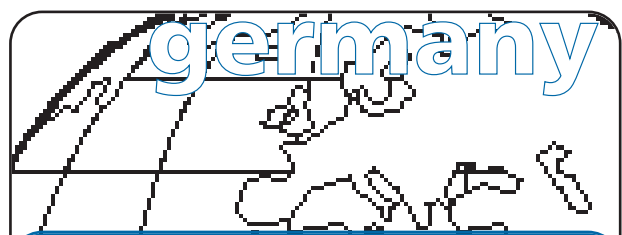
Jabsco, Bingley Road, Hoddesdon, Hertfordshire EN11 0BU
Tel: +44 (0) 1992 450 145 Fax: +44 (0) 1992 467 132



NHK Jabsco Co Ltd, 3-21-10, Shin-Yokohama, Kohoku-ku, Yokohama 222
Tel: +81 (0) 45 475 8906 Fax: +81 (0) 45 475 8908



Fluid Products Canada, 55 Royal Road, Guelph, Ontario N1H 1T1
Tel: +1 519 821 1900 Fax: +1 519 821 2569



Jabsco GmbH, Oststraße 28, 22844 Norderstedt
Tel: +49 (0) 40 53 53 73 0 Fax: +49 (0) 40 53 53 73 11



Company Profile1
 Contents2

section NEW PRODUCTS

NEW
 New Products for 20033

section PUMPS

1
 Pumps - Tables5
 Pumps - Introduction6
 Pumps - Bilge7
 Pumps - Livewell/Aerator12
 Pumps - Hand18
 Pumps - Shower Drain Systems19
 Pumps - Personal Watercraft Products20

section SWITCHES & ACCESSORIES

2
 Switches - Bilge Pump Control21
 Switches - Alarms22
 Switches - Panel23
 Accessories - Hoses, Adapters, Fittings24

section COMPASSES

3
 Compasses - Introduction26
 Compasses - Danforth®27

section BLOWERS

4
 Blowers - Rule®39

section BOAT CARE PRODUCTS

5
 Boat Care Products - Sudbury®40

section WINCHES

6
 Winches - Electric45
 Winches - Gas Powered48
 Winches - Accessories49
 Notes53
 Web Site54



NEW

New Products



High Capacity Rule Mate Pumps

- Now featuring Spongeability™
- Rule's highly successful line of Rule-Mate® Fully Automated Pumps is expanded to include the award winning high capacity Rule-Mate® 1500 and Rule-Mate® 2000.

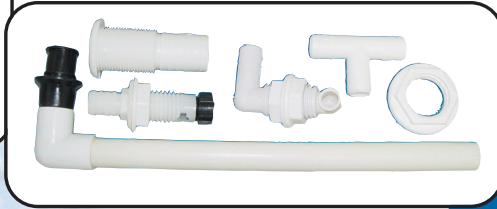


See page 09



Rule Livewell Product Accessories

- Rule introduces several new accessories for livewell/baitwell installations.
- New spray heads, a complete baitwell plumbing kit, and a water scoop are among the additions.



See page 14



Rule Oxygenator Systems

- Rule unveils three exciting new Oxygenation Systems for bait tanks.
- Oxygen is infused into the water keeping fish and bait alive.

See page 13



Rule Pump Accessories

- Rule adds plumbing fittings in 3/4" (19mm) and 1-1/8" (29mm) sizes.
- New products include "T" and "Y" fittings for hoses as well as Vented Loops for anti-siphoning protection.

See page 24

Models C104, C105

- 2" (50mm).
- NO-SPIN performance.
- Lexan® dome for durability.
- 12 volt night illumination.



See page **27**

Skipper II™ Models A91, A92, A93B

- NEW styling.
- 2-5/8" (67mm) "Global Balance"
- NO-SPIN card.
- For powerboat installations.



See pages **27-28**

**Corsair® IV
Model C352-3**

- NEW styling.
- 3-3/4" (95mm)
"Global Balance" card.
- Gimbale for power and sail.
- Full closure telescoping hood.



See page **31**

**Corsair® IV
Model C398F-3**

- NEW styling.
- 3-3/4" (95mm)
"Global Balance" card.
- Gimbale for power and sail.
- Full closure telescoping hood.



See page **30**

**Corsair® IV
Model C399-3**

- NEW styling.
- 3-3/4" (95mm)
"Global Balance" card.
- Gimbale for power and sail.
- Full closure telescoping hood.



See page **31**



Capacity GPH	Model No.	Watts	Volts	Amps @12v	Amps @13.6v	Fuse Size	Height (inches/mm)	Width (inches/mm)	Weight (lbs/kg)	Hose Diameter (inches/mm)	Panel Switches	Float Switches
RULE-MATE® AUTOMATED BILGE PUMPS												
500	RM500	-	12DC	1.9	2.5	2.5	4 (101.6)	5 (127)	0/13 (0.37)	3/4 (19.0)	41,43,45	-
500	RM500-24	-	24DC	1.0@24v	1.3@27.2v	1.5	4 (101.6)	5 (127)	0/13 (0.37)	3/4 (19.0)	42,44,45	-
750	RM750	-	12DC	2.8	4.0	5	4 (101.6)	5 (127)	0/13 (0.37)	3/4 (19.0)	41,43,45	-
750	RM750-24	-	24DC	1.4@24v	2.0@27.2v	2.5	4 (101.6)	5 (127)	0/13 (0.37)	3/4 (19.0)	42,44,45	-
1100	RM1100	-	12DC	3.3	5.0	6	4 (101.6)	5 (127)	0/14 (0.40)	1-1/8 (28.6)	41,43,45	-
1100	RM1100-24	-	24DC	1.4@24v	2.0@27.2v	2.5	4 (101.6)	5 (127)	0/14 (0.40)	1-1/8 (28.6)	42,44,45	-
1500	RM1500	-	12DC	4.8	7.0	9	6 (152)	7.25 (185)	3-1/2 (1.6)	1-1/8 (28.6)	41,43,45	-
1500	RM2000	-	12DC	8.4	12.0	15	6 (152)	7.25 (185)	4 (1.8)	1-1/8 (28.6)	41,43,45	-
AUTOMATIC SERIES BILGE PUMPS												
8000	174S	-	12DC	15.5 (2 ea)	20.0 (2 ea)	25 (2 ea)	11 (279)	12 (305)	12/12 (5.8)	3 (76.0)	-	-
4000	56S	-	12DC	15.5	20.0	25	9-1/4 (235)	4-7/8 (124)	5/8 (2.5)	2 (51.0)	49	-
3700	55S	-	12DC	15.5	20.0	25	8-1/4 (209.5)	4-7/8 (124)	5/8 (2.5)	1-1/2 (38)	49	-
2800	A55S	175	110AC	-	-	-	8-3/4 (222)	4-7/8 (124)	5/8 (2.5)	1-1/2 (38)	-	-
2800	A55S-24	175	110AC	-	-	-	8-3/4 (222)	4-7/8 (124)	5/10 (2.6)	1-1/2 (38)	-	-
2000	53S	-	12DC	8.4	12.0	15	7-3/4 (196.8)	4-3/4 (120.6)	4/0 (1.8)	1-1/8 (28.6)	49	-
1800	A53S	100	110AC	-	-	-	7-3/4 (196.8)	4-3/4 (120.6)	4/0 (1.8)	1-1/8 (28.6)	-	-
1800	A53S-24	100	110AC	-	-	-	7-3/4 (196.8)	4-3/4 (120.6)	4/2 (1.9)	1-1/8 (28.6)	-	-
1100	27S	-	12DC	3.3	5.0	6.0	4-1/2 (114)	2-3/8 (60.3)	0/12 (0.34)	1-1/8 (28.6)	49	-
500	25S	-	12DC	1.9	2.5	2.5	4 (102)	2-3/8 (60.3)	0/11(0.31)	3/4 (19.0)	49	-
500	25S-24	-	24DC	0.9@24v	1.3@27.2v	1.5	4 (102)	2-3/8 (60.3)	0/11(0.31)	3/4 (19.0)	49	-
500	25S-6	-	12DC	1.9	2.5	2.5	4 (102)	2-3/8 (60.3)	0/12 (0.34)	3/4 (19.0)	49	-
500	25S-6WC	-	12DC	1.9	2.5	2.5	4 (102)	2-3/8 (60.3)	0/12 (0.34)	3/4 (19.0)	49PWC	-
NON-AUTOMATIC BILGE PUMPS												
8000	174D	-	12DC	15.5 (2 ea)	20.0 (2 ea)	25 (2 ea)	7-3/4 (196.8)	12 (305)	10/12 (4.9)	3 (76.0)	-	-
4000	56D	-	12DC	15.5	20.0	25	7-3/4 (196.8)	4-7/8 (124)	5/8 (2.5)	2 (51.0)	41,43,45,49	37,40
4000	56D-24	-	24DC	6.9@24v	10.0@27.2v	15	7-3/4 (196.8)	4-7/8 (124)	5/8 (2.5)	2 (51.0)	41,43,45,49	35,37,40
4000	56D-32	-	32DC	5.0@32v	7.5@36.3	10	7-3/4 (196.8)	4-7/8 (124)	5/8 (2.5)	2 (51.0)	41,43,45,49	35,37,40
3800*	17A	-	12DC	15.5	20.0	25	5-1/4 (133)	8-1/2 (216)	5/10 (2.6)	1-1/2 (38)	49	-
3700	14A	-	12DC	15.5	20.0	25	7-1/4 (184)	4-7/8 (124)	5/4 (2.4)	1-1/2 (38)	41,43,45,49	37,40
3700	14A-6UL	-	12DC	15.5	20.0	25	7-1/4 (184)	4-7/8 (124)	5/5 (2.4)	1-1/2 (38)	41,43,45,49	35,37,40
3700	16A	-	24DC	6.9 @ 24v	10.0 @ 27.2v	15	7-1/4 (184)	4-7/8 (124)	5/4 (2.4)	1-1/2 (38)	42,44,45,49	35,37,40
3700	15A	-	32DC	5.0 @ 32v	7.5 @ 36.3v	10	7-1/4 (184)	4-7/8 (124)	5/4 (2.4)	1-1/2 (38)	42,44,45,49	35,37,40
3700	18A	-	24DC	6.9 @ 24v	10.0 @ 27.2v	15	5-1/4 (133)	8-1/2 (216)	5/10 (2.6)	1-1/2 (38)	49	-
3700*	19A	-	32DC	5.0 @ 32v	7.5 @ 36.3v	10	5-1/4 (133)	8-1/2 (216)	5/10 (2.6)	1-1/2 (38)	49	-
2800	A55D	175	110AC	-	-	-	8-3/4 (222)	4-7/8 (124)	5/8 (2.5)	1-1/2 (38)	-	-
2000	09	-	12DC	8.4	12.0	15	6 (152)	4-1/4 (108)	2/15 (1.3)	1-1/8 (28.6)	41,43,45,49	35,37,40
2000	10	-	12DC	8.4	12.0	15	6 (152)	4-1/4 (108)	2/15 (1.3)	1-1/8 (28.6)	41,43,45,49	35,37,40
2000	10-6UL	-	12DC	8.4	12.0	15	6 (152)	4-1/4 (108)	3/0 (1.4)	1-1/8 (28.6)	41,43,45,49	35,37,40
2000	11	-	32DC	3.1 @ 32v	5.0 @ 36.3v	6	6 (152)	4-1/4 (108)	2/15 (1.3)	1-1/8 (28.6)	42,44,45,49	35,37,40
2000	12	-	24DC	4.0 @ 24v	6.0 @ 27.2v	7.5	6 (152)	4-1/4 (108)	2/15 (1.3)	1-1/8 (28.6)	42,44,45,49	35,37,40
1800	A53D	100	110AC	-	-	-	7-3/4 (196.8)	4-3/4 (120.6)	4/0 (1.8)	1-1/8 (28.6)	-	-
1500	02	-	12DC	4.8	7.0	9	6 (152)	4-1/4 (108)	2/10 (1.2)	1-1/8 (28.6)	41,43,45,49	35,37,40
1500	02-6	-	12DC	4.8	7.0	9	6 (152)	4-1/4 (108)	2/10 (1.2)	1-1/8 (28.6)	41,43,45,49	35,37,40
1500	03	-	24DC	2.3 @ 24v	3.5 @ 27.2v	4	6 (152)	4-1/4 (108)	2/10 (1.2)	1-1/8 (28.6)	42,44,45,49	35,37,40
1100	27D	-	12DC	3.3	5.0	6	4-1/4 (108)	2-3/8 (60.3)	0/10 (0.28)	1-1/8 (28.6)	41,43,45,49	35,37,40
1100	27D-6	-	12DC	3.3	5.0	6	4-1/4 (108)	2-3/8 (60.3)	0/11 (0.31)	1-1/8 (28.6)	41,43,45,49	35,37,40
1100	28D	-	24DC	1.3 @ 24v	2.0 @ 27.2v	2.5	4-1/4 (108)	2-3/8 (60.3)	0/10 (0.28)	1-1/8 (28.6)	42,44,45,49	35,37,40
1100	27DC	-	12DC	3.3	5.0	6	4-1/4 (108)	2-3/8 (60.3)	0/11 (0.31)	1-1/8 (28.6)	41,43,45,49	35,37,40
1000	20A	-	12DC	2.9	4.0	5	4 (102)	2-7/8 (73)	0/14 (0.40)	1-1/8 (28.6)	41,43,45,49	35,37,40
800	20F	-	12DC	2.8	4.0	5	4 (102)	2-7/8 (73)	0/14 (0.40)	3/4 (19.0)	41,43,45,49	35,37,40
800	20R	-	12DC	2.8	4.0	5	3-3/4 (95.25)	2-3/8 (60.3)	0/10 (0.28)	3/4 (19.0)	41,43,45,49	35,37,40
800	21R	-	24DC	1.3 @ 24v	2.0 @ 27.2v	2.5	3-3/4 (95.25)	2-3/8 (60.3)	0/10 (0.28)	3/4 (19.0)	42,44,45,49	35,37,40
800	20RC	-	12DC	2.8	4.0	5	3-3/4 (95.25)	2-3/8 (60.3)	0/10 (0.28)	3/4 (19.0)	41,43,45,49	35,37,40
500	26D	-	24DC	0.9 @ 24v	1.3 @ 27.2v	1.5	3-1/2 (89)	2-3/8 (60.3)	0/9 (0.26)	3/4 (19.0)	42,44,45,49	35,37,40
500	25D	-	12DC	1.9	2.5	2.5	3-1/2 (89)	2-3/8 (60.3)	0/9 (0.26)	3/4 (19.0)	41,43,45,49	35,37,40
500	25D-6	-	12DC	1.9	2.5	2.5	3-1/2 (89)	2-3/8 (60.3)	0/10 (0.28)	3/4 (19.0)	41,43,45,49	35,37,40
500	25D-6WC	-	12DC	1.9	2.5	2.5	3-1/2 (89)	2-3/8 (60.3)	0/10 (0.28)	3/4 (19.0)	49PWC	-
500	25DC	-	12DC	1.9	2.5	2.5	3-1/2 (89)	2-3/8 (60.3)	0/9 (0.26)	3/4 (19.0)	41,43,45,49	35,37,40
360	24	-	12DC	2.1	2.5	2.5	3-1/2 (89)	2-3/8 (60.3)	0/9 (0.26)	3/4 (19.0)	41,43,45,49	35,37,40
360	24-6	-	12DC	2.1	2.5	2.5	3-1/2 (89)	2-3/8 (60.3)	0/9 (0.26)	3/4 (19.0)	41,43,45,49	35,37,40
360	24-6DC	-	12DC	1.9	2.5	2.5	3-1/2 (89)	2-3/8 (60.3)	0/9 (0.26)	3/4 (19.0)	41,43,45,49	35,37,40

* General Purpose Pump See page 52 for bilge pump performance curves



Rule Submersible Bilge Pumps have set the standard for the industry for decades. They are the first choice of yachtsmen and commercial fishermen throughout the world. More innovations in Bilge Pump design have come from Rule Industries than any other manufacturer and we are proud to offer the broadest range of bilge pumps in the world.

- Exclusive moisture tight seals
- Compact, efficient, long life motors
- Easy clean snap-lock strainer bases
- Completely submersible
- Silent and vibrationless operation
- Ignition protection
- Anti-Airlock protection
- No burn-out when run dry
- Stainless steel shafts
- Rust and corrosion protection
- CE and ISO 8849 certification

Rule-Mate® Automated Bilge Pumps

The Rule-Mate series of Automated Bilge Pumps feature a pump and a **non-mercury** float switch in a single, compact housing. When the float rises, the pump turns on. There is no on/off cycling and therefore, no power use until the pump comes on. The pump remains on until the float drops and the pump senses no load against the impeller.



Rule-Mate® Bilge Pumps



Award Winning!



These "All-In-One" pumps feature Spongeability™, which is unique to Rule and one of the main reasons for our Innovation Award. When the water level is reduced to about 3/4", every other pump on the market shuts down. The new Rule-Mate® remains on for an additional 15 seconds, removing 50% more water, drastically minimizing odors and excess water. A great benefit to boaters everywhere!

Automatic Bilge Pumps

Computerized operation on the principle of impeller resistance. Float switches are not required. The pump will turn on every 2-1/2 minutes for about one second to sense for water. If water is present, the pump will sense resistance and continue to run until all water is removed. Thereafter, it will check for water every 2-1/2 minutes. Power use in the checking mode is minimal.



Fully Automatic Bilge Pumps

Non-Automatic Bilge Pumps

Traditional operation activated by a float switch or panel switch. Rule's Cartridge Series of Bilge Pumps have the added feature of replacement motors. This allows you to carry a spare motor, providing an extra level of security and protection. Removal of the motor also allows cleaning of the strainer and impeller area in the event that the pump becomes clogged. Replacement motors are sold separately.



Non-Automatic Bilge Pumps



Model 24

Model 24/35

360 G.P.H. (1363 L.P.H.)

The Rule 360 provides outstanding quality and value. It is economically priced and designed for small boats. 3/4" (19mm) discharge outlet. 12 volts DC unless noted.

NON-AUTOMATIC

- Model 24** 360 GPH (1363 LPH)
- Model 24-6** 360 GPH (1363 LPH) with 6' (1.8m) wire leads
- Model 24/35** 360 GPH (1363 LPH) Pump with Rule-A-Matic® Float Switch



Model RM500

500 G.P.H. (1893 L.P.H.)

The Rule 500 offers many design features while keeping size and cost to a minimum. Especially popular on smaller craft, Rule 500 pumps are unmatched in pumping power and longevity. 3/4" (19mm) discharge outlet. 12 volts DC unless noted.

RULE-MATE®

- Model RM500** 500 GPH (1893 LPH) Rule-Mate®
- Model RM500-24** 500 GPH (1893 LPH) Rule-Mate® (24 volt)

AUTOMATIC

- Model 25S** 500 GPH (1893 LPH) Automatic
- Model 25S-24** 500 GPH (1893 LPH) Automatic (24 volt)
- Model 25S-6** 500 GPH (1893 LPH) Automatic with 6' (1.8m) leads

NON-AUTOMATIC

- Model 25D** 500 GPH (1893 LPH)
- Model 25DC** 500 GPH Cartridge (1893 LPH)
- Model 25D-6** 500 GPH (1893 LPH) with 6' (1.8m) leads
- Model 25-40** 500 GPH (1893 LPH) with Rule-A-Matic® Plus™ Float Switch
- Model 26D** 500 GPH (1893 LPH) (24 volt)



Model 25S

Model 25D



Model RM750

Model 20RC

700/750 G.P.H. (2650/2839 L.P.H.)

Rule's 700 and 750 G.P.H. Pumps offer increased capacity in keeping with it's 3/4" (19mm) discharge outlet. 12 volts DC unless noted.

RULE-MATE®

- Model RM750** 750 GPH (2839 LPH) Rule-Mate®
- Model RM750-24** 750 GPH (2839 LPH) Rule-Mate® (24 volt)

NON-AUTOMATIC

- Model 20RC** 700 GPH Cartridge (2650 LPH)



800 G.P.H. (3028 L.P.H.)

Rule offers two 800 GPH (3028 LPH) styles - square and round versions. The square model (20F) offers 36 mounting variations as well as a gas resistant strainer base. 3/4" (19mm) discharge outlet. 12 volts DC unless noted.

NON-AUTOMATIC

Model 20F	800 GPH (3028 LPH) Square
Model 20R	800 GPH (3028 LPH) Round
Model 21R	800 GPH (3028 LPH) Round (24 volt)



Model 20F

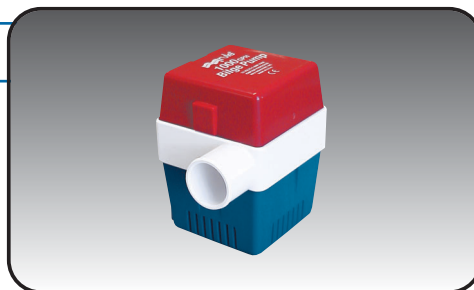
Model 20R

1000 G.P.H. (3785 L.P.H.)

The Rule 1000 is in a class by itself and is a popular choice among boatbuilders and boat owners alike. 36 mounting variations and a gas resistant strainer base make this one of Rule's most popular pumps. 1-1/8" (28.6mm) discharge outlet. 12 volts DC unless noted.

NON-AUTOMATIC

Model 20A	1000 GPH (3785 LPH)
------------------	---------------------



Model 20A

1100 G.P.H. (4164 L.P.H.)

The Rule 1100 offers impressive pumping power for its size and cost. Competitive models in this pumping range are much larger and far more expensive. 12 volts DC unless noted.

RULE-MATE®

Model RM1100	1100 GPH (4164 LPH) Rule-Mate®
Model RM1100-24	1100 GPH (4164 LPH) Rule-Mate® (24 volt)

AUTOMATIC

Model 27S	1100 GPH (4164 LPH) Automatic
------------------	-------------------------------

NON-AUTOMATIC

Model 27D	1100 GPH (4164 LPH)
Model 27DC	1100 GPH (4164 LPH) Cartridge
Model 27D-6	1100 GPH (4164 LPH) with 6' (1.8m) wire leads
Model 28D	1100 GPH (4164 LPH) (24 volt)



Model 27D

Model RM1100



Model 27S

Replacement Motor Cartridges

Replacement motor cartridges for Rule Cartridge Bilge and Livewell/Aerator pumps.

Model 24R	Replacement Motor Cartridge	360 GPH (1363 LPH)
Model 25DR	Replacement Motor Cartridge	500 GPH (1893 LPH)
Model 20RR	Replacement Motor Cartridge	700 GPH (2650 LPH)
Model 27DR	Replacement Motor Cartridge	1100 GPH (4164 LPH)





Model RM1500

Model 02

1500 G.P.H. (5678 L.P.H.)

High pumping capacity and reliability at a lower cost. The Rule 1500 offers more pumping capacity and more exclusive design features than any comparable competitive pump. 1-1/8" (28.6mm) discharge outlet. 12 volts DC unless noted.

RULE-MATE® NEW!

Model RM1500 1500 GPH (5678 LPH)

NON-AUTOMATIC

Model 02 1500 GPH (5678 LPH)

Model 02-6 1500 GPH (5678 LPH) with 6' (1.8m) wire leads

Model 03 1500 GPH (5678 LPH) (24 volt)

AUTOMATIC

Model 51S 1500 GPH (5678 LPH)



Model 09

Model 10

2000 G.P.H. (7571 L.P.H.)

Engineered to commercial standards. The Rule 2000 is the best selling high capacity submersible bilge pump in the world. 1-1/8" (28.6mm) discharge outlet. 12 volts DC unless noted.

RULE-MATE® NEW!

Model RM2000 2000 GPH (7571 LPH)

NON-AUTOMATIC

Model 10 2000 GPH (7571 LPH)

Model 10-6UL 2000 GPH (7571 LPH) -UL listed with 6' (1.8m) wire leads

Model 11 2000 GPH (7571 LPH) (32 volt)

Model 12 2000 GPH (7571 LPH) (24 volt)

Model 09 2000 GPH (7571 LPH) 5 Year Warranty

AUTOMATIC

Model 53S 2000 GPH (7571 LPH) Automatic



Model RM2000

Model 53S

3700 G.P.H. (14010 L.P.H.)

Heavy duty construction for both commercial and pleasure boat use; known for trouble free operation and reliability. 1-1/2" (38mm) discharge outlet. 12 volts DC unless noted.

NON-AUTOMATIC

Model 14A 3700 GPH (14010 LPH)

Model 14A-6UL 3700 GPH (14010 LPH) -UL listed with 6' (1.8m) wire leads

Model 15A 3700 GPH (14010 LPH) (32 volt)

Model 16A 3700 GPH (14010 LPH) (24 volt)

AUTOMATIC

Model 55S 3700 GPH (14010 LPH) Automatic



Model 14A

Model 55S



4000 G.P.H. (15140 L.P.H.)

Designed for the toughest applications, the 4000 GPH (15140 LPH) pump optimizes Rule's exclusive design features to produce the highest capacity available for a pump its size. 2" (51mm) discharge outlet. 12 volts DC unless noted.

NON-AUTOMATIC

- Model 56D** 4000 GPH (15140 LPH)
- Model 56D-24** 4000 GPH (15140 LPH) (24 volt)
- Model 56D-32** 4000 GPH (15140 LPH) (32 volt)

AUTOMATIC

- Model 56S** 4000 GPH (15140 LPH) Automatic



Model 56D

Model 56S

8000 G.P.H. (30280 L.P.H.)

Our largest capacity submersible pump. Thoughtfully designed, it incorporates two 4000 GPH (15140 LPH) pumps which discharge through a common 3" (76mm) discharge outlet. Since the two pumps function independently, if one pump fails, the other will continue to operate providing back-up pumping capability. Replacement motor modules available. 12 volts DC unless noted.

NON-AUTOMATIC

- Model 174D** 8000 GPH (30280 LPH)
- Model 175D** 8000 GPH (30280 LPH) Replacement Motor Module

AUTOMATIC

- Model 174S** 8000 GPH (30280 LPH) Automatic
- Model 175S** 8000 GPH (30280 LPH) Automatic Replacement Motor Module



Model 174D

General Purpose Centrifugal Pumps

The Rule General Purpose Pump is designed for use as a washdown pump and/or to circulate water to your livewell tank(s). Heavy duty construction for use on commercial or pleasure boats. 1-1/2" (38mm) inlet and 1-1/2" (38mm) discharge outlet. The Rule General Purpose Pump must be mounted below the waterline. It does not deliver high pressure, nor is it self priming. It delivers lots of water but at low pressure. 12 volts DC unless noted.

NON-AUTOMATIC

- Model 17A** 3800 GPH (14380 LPH)
- Model 18A** 3700 GPH (14010 LPH) (24 volt)
- Model 19A** 3700 GPH (14010 LPH) (32 volt)



Model 17A



1

Pumps - 110 Volt Submersibles



Basements



Sumps



Garages



Pools & Pool Covers

110 Volt Pumps

Designed to remove water from basements, garages, stairwells, utility rooms, backyards, sumps, pools, pool covers, boats, and other utility applications. Available in Non-Automatic & Automatic versions utilizing standard 110 volt AC current.

Automatic Model	Capacity (GPH/LPH)	Cord	Adapters included
Model A50S	1200 (4542)	8' (2.4m)	Garden Hose & Rigid Pipe, #57
Model A50S-24	1200 (4542)	24' (7.3m)	Garden Hose & Rigid Pipe, #57
Model A53S	1800 (6814)	8' (2.4m)	Garden Hose & Rigid Pipe, #57
Model A53S-24	1800 (6814)	24' (7.3m)	Garden Hose & Rigid Pipe, #57
Model A55S	2800 (10600)	8' (2.4m)	Rigid Pipe, #58
Model A55S-24	2800(10600)	24' (7.3m)	Rigid Pipe, #58
Non-Automatic Model	Capacity (GPH/LPH)	Cord	Adapters included
Model A53D	1800 (6814)	8' (2.4m)	Garden Hose & Rigid Pipe, #57
Model A55D	2800 (10600)	8' (2.4m)	Rigid Pipe, #58



Model 68

Model 57

Model 58

Adapters

90° elbow adapters are designed for rigid pipe installations of Sump and Utility Pumps. Adapters snap onto discharge port. Opposite end is female pipe threaded. High impact plastic will not rust, corrode or discolor. Garden hose adapter snaps onto discharge port converting pump into standard garden hose fitting.

Model 57

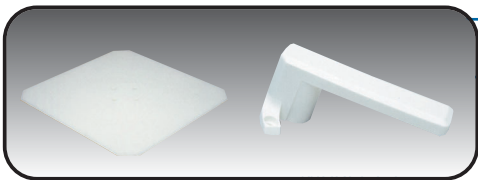
Adapts 1800 GPH (6814 LPH) pump to 1" (25mm) NPT

Model 58

Adapts 2800 GPH (10600 LPH) pump to 1-1/4" (32mm) NPT

Model 68

Garden Hose Adapter



Model 94

Model 79

Pump Base/Handle

Pump base measures 12" x 12" (305mm x 305mm). Especially useful for pool cover applications. Pumps mount directly onto base. Keeps pumps steady – no tip-over. Handle attaches directly to pumps. Allows for easy mobility and protects power cord from undue strain.

Model 94

Plastic Pump Base

Model 79

Pump Handle



Model 10BB

Night Owl™ Battery Backup Sump Pump Systems

12 volt home sump pump backup system in case of power outage. Runs on standard 105 amp deep cycle marine battery (not included). System includes Rule Heavy Duty Night Owl™ 12 volt pump, Rule-A-Matic Plus™ Float Switch, 10 amp battery charger with monitors and alarm, check valve, pipe fittings and battery box. No home with a sump pump system should be without a Night Owl.

Model 10BB

2000 GPH (7571 LPH) Night Owl System

Model 14-BB

3700 GPH (14010 LPH) Night Owl System



Rule's unsurpassed quality and leadership in bilge pump design and technology includes a complete line of Livewell/Aerator pumps, accessories, and kits. These pumps feature Rule's incredibly long life motors for outstanding reliability, performance, and durability. They are silent running and vibrationless and are a must on any serious fisherman's boat. The innovative Pro-Series™ line of cartridge pumps feature removable motor cartridges for fast and convenient replacement - even underway. All pumps feature advanced anti-airlock protection.

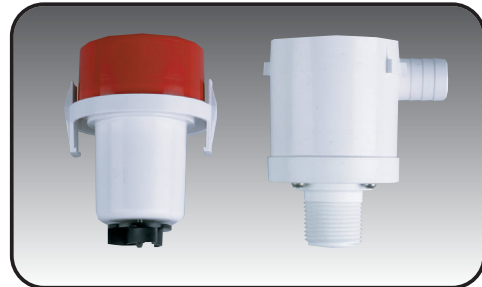
Livewell Pump Tips

- Always select a pump that will deliver enough water **to replace livewell water every 10 minutes.**
- **Bigger is not better**—too much pump capacity could lead to air locks.
- Mount the pump **as low and close to the hull as possible.**



Pumping Power Gallons per hour/Liters per hour @ 13.6v

Capacity	HEAD HEIGHT		
	0'	3.35' (1.02m)	6.7' (2.04m)
360	360 (1363)	265 (1003)	190 (719)
500	500 (1893)	360 (1363)	260 (784)
700	700 (2650)	540 (2044)	370 (1401)
1100	1100 (4164)	860 (3255)	600 (2271)



"C" Series Pro-Series™ Removable Motor Cartridge

For Thru-Hull Applications
Angled 4" (102mm) Pickup Tube

Model	Capacity (GPH/LPH)	Discharge (inches/mm)	Amps @12v, 13.6v	Fuse Size (amps)
200C	360 (1363)	3/4" (19mm)	1.9 / 2.5	2.5
201C	500 (1893)	3/4" (19mm)	2.1 / 2.5	2.5
203C	700 (2650)	3/4" (19mm)	2.8 / 4.0	5.0



Model 201C

"STC" Series Pro-Series™ Removable Motor Cartridge

For Thru-Hull Applications
Straight 4-3/4" (121mm) Pickup Tube

Model	Capacity (GPH/LPH)	Discharge (inches/mm)	Amps @12v, 13.6v	Fuse Size (amps)
200STC	360 (1363)	3/4" (19mm)	1.9 / 2.5	2.5
201STC	500 (1893)	3/4" (19mm)	2.1 / 2.5	2.5
203STC	700 (2650)	3/4" (19mm)	2.8 / 4.0	5.0



Model 201STC



Pumps - Livewell/Aerator



Model 201FC



Model 207F



Model 25DR



Model 252

Seacock Mounted Pumps

For Seacock Applications
Straight 1" (25mm) Pickup Tube with Tapered Threads

Model	Style	Capacity (GPH/LPH)	Discharge (inches/mm)	Amps @12v, 13.6v	Fuse Size (amps)
200FC	Cartridge	360 (1363)	3/4" (19mm)	1.9 / 2.5	2.5
201FC	Cartridge	500 (1893)	3/4" (19mm)	2.1 / 2.5	2.5
201FAA*	Non-Cartridge	500 (1893)	3/4" (19mm)	2.1 / 2.5	2.5
Anti Airlock Computerized					
203FC	Cartridge	700 (2650)	3/4" (19mm)	2.8 / 4.0	5.0
205FC	Cartridge	1100 (4163)	1-1/8" (29mm)	3.3 / 5.0	6.0
205FAA*	Non-Cartridge	1100 (4163)	1-1/8" (29mm)	3.3 / 5.0	6.0
Anti Airlock Computerized					
207F	Non-Cartridge	1200 (4542)	1-1/8" (29mm)	8.4 / 12.0	15.0
Heavy Duty Long Life					

*NOTE: Models 201/FAA and 205FAA are a computerized anti-airlock models. If an airlock is detected the pump automatically shuts off and turns on until the airlock is cleared.

Replacement Motor Cartridges

Replacement Motor Modules
For all Pro-Series™ Aerator Pumps

Model	Capacity (GPH/LPH)	Discharge (inches/mm)	Amps @12v, 13.6v	Fuse Size (amps)
24R	360 (1363)	n/a	1.9 / 2.5	2.5
25DR	500 (1893)	n/a	2.1 / 2.5	2.5
20RR	700 (2650)	n/a	2.8 / 4.0	5.0
27DR	1100 (4163)	n/a	3.3 / 5.0	6.0

Rule Oxygenator Systems

High performance live-bait aerators that keep bait and catch alive and healthy in a smaller amount of water. Air is infused with the water at the pump impeller, then millions of micro-fine bubbles are produced and sent gently out of the pump into the livewell. Because the bubbles are so fine, they remain suspended in the water longer, more aeration is provided for your delicate bait and catch.

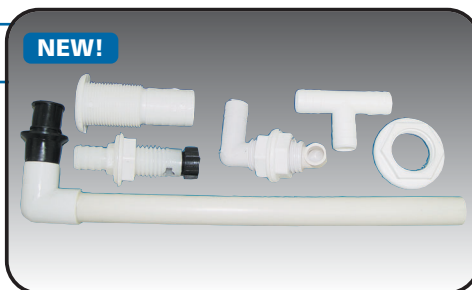
- Model 250** 500 GPH Oxygenator System - Ideal for 10 lbs of bait
- Model 251** 800 GPH Oxygenator System - Ideal for 25 lbs of bait
- Model 252** 1100 GPH Oxygenator System - Ideal for 50 lbs of bait



Baitwell Plumbing Kit

A complete plumbing kit for fixed or portable livewell tanks. Each kit contains a 90° Overflow drain tube, 1-1/8" (29mm) drain fitting, 3/4" (19mm) angled aerator spray head with shut off valve, directional aerator head for current, and a 3/4" (19mm) tee fitting to connect both heads to the pump.

Model 211 Baitwell Plumbing Kit



Model 211

Water Scoop

Scoops water to livewell tanks while underway; helps to prevent pump airlocking. Features pressure relief holes to prevent overpowering of pump.

Model 214 Water Scoop



Model 214

Aerator Spray Heads

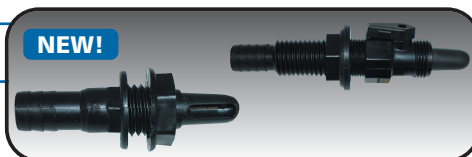
For use with Rule 3/4" (19mm) discharge aerator pumps. Oxygenates water by agitating surface and infusing oxygen into the water. Variety of spray heads in angled or straight format; with or without shut off valves.

Model 217 Straight Spray Head

Model 218 Straight Spray Head with Shut off Valve

Model 219 Angled Spray Head

Model 220 Angled Spray Head with Shut Off Valve



Model 217

Model 218



Model 219

Model 220

Venturi Oxygenator Kit

Injects air flow into livewells. Unique system that takes outside air and mixes with incoming livewell water. Includes face plate, tubing, and Venturi fitting.

Model 221 Venturi Oxygenator Kit



Model 221



Pumps - Livewell/Aerator



Model 201FCDP

Dual Port Cartridge Livewell Pumps

Allows you to add your Jabsco or Flojet Washdown Pump without another thru-hull fitting.

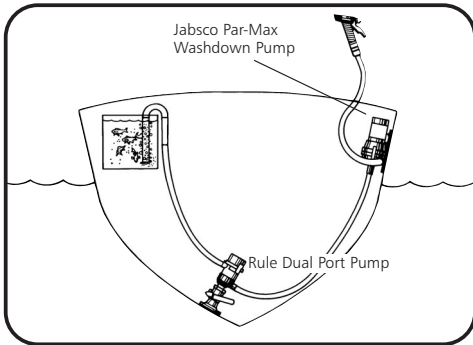
- For seacock applications
- Features an additional port for a washdown pump
- Feeds two pumps with one thru-hull fitting

(A) Port Size: 3/4" (19mm) Female NPT

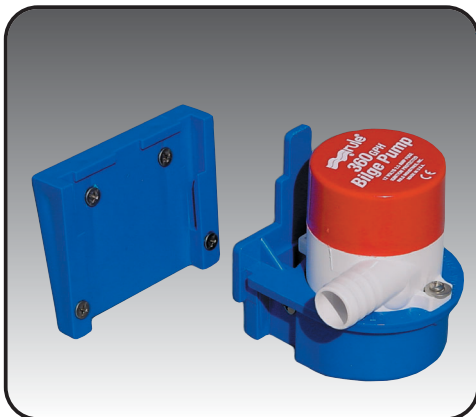
(B) Port Size 1/2" (12.5mm)

NOTE: Hex Plug included in case you do not use the second port

Both pumps can be run at the same time with no flow loss!



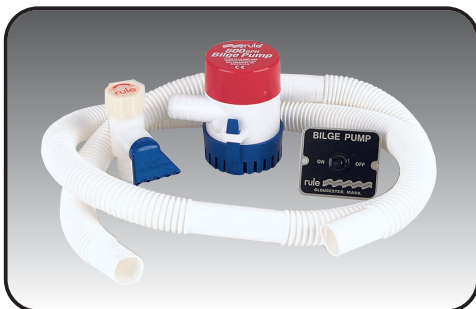
Model	Capacity (GPH/LPH)	Discharge (inches/mm)	Amps @12v, 13.6v	Fuse Size (amps)
200FCDP	360 (1363)	3/4" (19mm)	1.9 / 2.5	2.5
201FCDP	500 (1893)	3/4" (19mm)	2.1 / 2.5	2.5
203FCDP	700 (2650)	3/4" (19mm)	2.8 / 4.0	5.0
205FCDP	1100 (4164)	1-1/8" (28.6mm)	3.3 / 5.0	6.0



Transom Mount Livewell Pumps

Rule introduces a lineup of Transom Mounted Aerator Pumps. This allows the fisherman to have professional aeration of his livewell without the need to install a pump through the hull. The unique "quick-release" pump with strainer base assembly snaps easily into the transom bracket provided. At the end of the day, the pump can be removed for storage. Pumps feature 6' wire leads.

- Model 24TB 360 GPH
- Model 25DTB 500 GPH
- Model 20RTB 800 GPH
- Model 27DTB 1100 GPH
- Model 265 Bracket only



Model 201K

Livewell Aerator Kit

Rule's Livewell Aerator Kit is designed for any built-in livewell or baitwell tank. This kit comes with a Rule 500 GPH (1893 LPH) pump with 6' (1.8m) wire leads, 4' (1.2m) of 3/4" (19mm) bilge hose, Model 78 Oxygenator Spray Head, and Model 49 On/Off Switch.

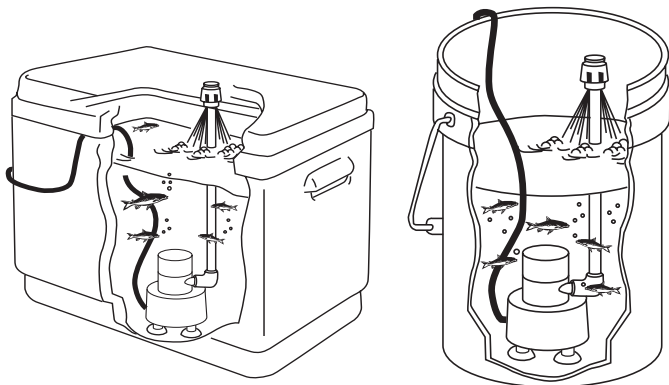
Model 201K



Portable Aerator Kit

Aerates from 5 to 30 gallons (192 to 1142 liters) of water. The Rule 460 GPH (1741 LPH) pump attaches easily to any non-porous surface. 9" (229mm) long spray tube can be custom cut to fit into any container. A fully adjustable spray head increases or reduces flow of water. Foam filtration system keeps water sparkling clean. The kit also includes battery clips for easy attachment to your 12 volt power source.

Model 202K

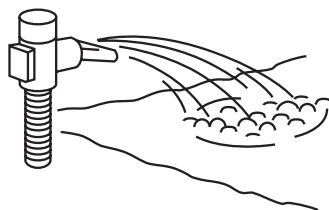


Model 202K

Oxygenator Spray Head

Rule's Oxygenator Spray head sprays streams of water back into the livewell tank enriching the water with oxygen. Adjustable spray head allows you to increase or decrease flow of water. For use with 3/4" (19mm) hose.

Model 78

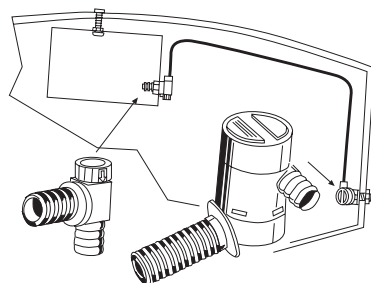


Model 78

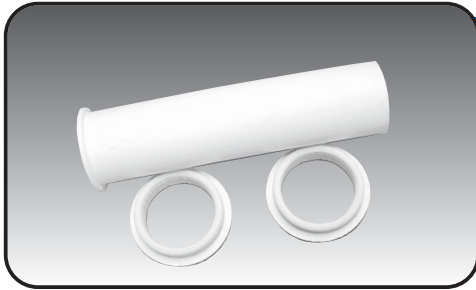
Variable Flow Control Valve

The Variable Flow Control Valve allows increases and decreases of flow from the pump with no damage at all to the pump. Range includes fully open flow to totally off.

Model 75



Model 75

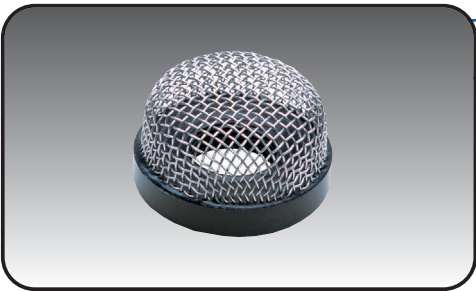
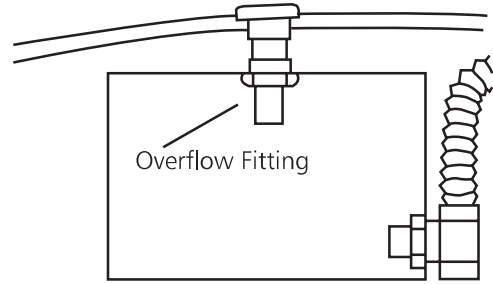


Model 76

Overflow Fitting

The Overflow Fitting may be installed at any level in a livewell tank. Maintains desired water level. May be custom cut to fit most livewell tanks. 1-1/2" (38mm) hose may be connected to effectively route discharge.

Model 76

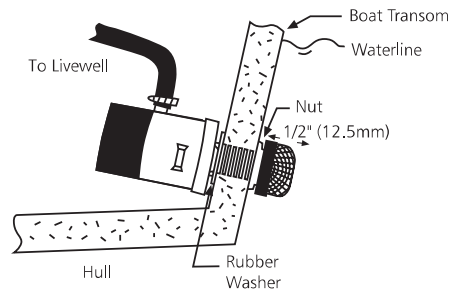


Model 73

Livewell Pump Debris Strainer

The Livewell Pump Debris Strainer attaches directly to any pickup tubes on Rule Livewell Pumps. Filters out trash and debris which could clog pump. Stainless steel wire mesh, 3/4" (19mm) female NPS threads.

Model 73



Model 269

Livewell & Bilge Pump Hose Clamps

New from Rule! Applies even pressure around discharge port to prevent stress cracks often experienced when using metal hose clamps. Squeeze tabs together for a fit. They may be reused by sliding the locking grooves apart.

Model 268

For Rule 3/4" (19mm) discharge hose models 81, 82

Model 269

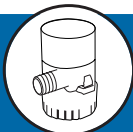
For Rule 1-1/8" (28.6mm) discharge hose models 80, 81

Model 270

For Rule 1-1/2" (38mm) discharge hose model 88

Model 271

For Rule 1-1/2" (38mm) discharge hose model 84



Lever Pumps

Made of rugged, non-corrosive materials, these self-priming diaphragm pumps are ideal for bilge pumping, clearing holding tanks and general fluid transfer. They may be mounted on a horizontal or vertical surface. Handles may be oriented in a variety of positions.

Permanently Attached Handle

The most economical of the Rule Lever Pumps has a rugged, permanently attached handle.

Model	Capacity GPH (LPH)	Hose size ID inches (mm)	Size Length x Width x Height inches (mm)
142	16 (61)	1-1/2" (38mm)	14"x6-3/8"x7-3/8" (356x162x187mm)



Model 142

Removable Two Position Handle

The removable handle (vertical or horizontal) features a rubber ball grip for comfortable positive pumping action.

Model	Capacity GPH (LPH)	Hose size ID inches (mm)	Size Length x Width x Height inches (mm)
145	16 (61)	1-1/2" (38mm)	15"x6-3/8"x5" (381x162x127mm) (with handle)



Model 145

Thru-Deck

Designed for thru-deck or thru-bulkhead mounting. The thru-deck fitting is equipped with a seal which discourages water pooling at the well. A removable handle with rubber ball grip insures positive pumping action and allows the options of being kept securely in the pump or stowed out-of-the-way.

Model	Capacity GPH (LPH)	Hose size ID inches (mm)	Size Length x Width x Height inches (mm)
148	16 (61)	1-1/2" (38mm)	6-7/8"x6-3/4"x9-1/2" (175x171x241mm) (without handle)



Model 148

Repair Kits

These kits allow periodic repair and replacement of the diaphragm or the valves in the above lever pumps.

- Model 280** Diaphragm Replacement
- Model 281** Inlet and Outlet Valve Replacement
- Model 282** Total Repair Kit - Includes Diaphragm and Valves



Model 280

Model 281



Model 165

Portable Pumps

Constructed of sturdy ABS plastic with comfort-grip handle providing smooth firm strokes. Available in 24" (610mm) with or without hose and 36" (914mm) with hose.

- Model 164** 8 GPM (30 LPM) – no hose
- Model 165** 8 GPM (30 LPM) – with 24" (610mm) hose
- Model 167** 10 GPM (38 LPM) – no hose
- Model 168** 10 GPM (38 LPM) – with 48" (1219mm) hose

Model	Capacity GPH (LPH)	Hose size ID inches (mm)	Size
164	8 (30)	1-1/8" (29mm)	24" (610mm) Without hose
165	8 (30)	1-1/8" (29mm)	24" (610mm) With 2' (0.6m) of 1-1/8"(29mm) hose
167	10 (38)	1-1/8" (29mm)	36" (914mm) Without hose
168	10 (38)	1-1/8" (29mm)	36" (914mm) With 4' (1.2m) of 1-1/8"(29mm) hose



Model 98

Shower Drain Systems

A compact, full capacity shower drain system. Automatically turns on after the water starts, and shuts off when the water is removed. Activated by a Rule-A-Matic® float switch. Available in single inlet and three inlet ports which offer varying combinations of inlet hose. Other features include a clear screw down cover, a removable strainer for easy cleaning, and an internal check valve to prevent back flow.

Model	Description	Discharge (inches/mm)	Inlet Ports (inches/mm)	Size (Length x Width x Height) (inches/mm)
97	Single Port Inlet Pump 500 GPH (1893 LPH)	3/4" (19mm)	1-1/2" (38mm)	8-1/4" x 9-1/2" x 5 1/2" 209.5 x 241 x 140mm
97-24	Single Port Inlet Pump 500 GPH (1893 LPH) 24-volt	3/4" (19mm)	1-1/2" (38mm)	8-1/4" x 9-1/2" x 5-1/2" 209.5 x 241 x 140mm
98	Multi-Port Inlet 800 GPH (3028 LPH) Pump	3/4" (19mm)	3/4", 3/4", 1", 1-1/8", 1-1/2" (19, 19, 25, 28.6, 38mm)	8-1/4" x 11-1/4" x 5-1/2" 209.5 x 286 x 140mm
98-24	Multi-Port Inlet 800 GPH (3028 LPH) Pump, 24-volt	3/4" (19mm)	3/4", 3/4", 1", 1-1/8", 1-1/2" (19, 19, 25, 28.6, 38mm)	8-1/4" x 11-1/4" x 5-1/2" 209.5 x 286 x 140mm



PWC Automatic 500 GPH (1893 LPH) Pump

Automatically removes water from engine compartment without the use of a float switch. Cycles every 20 seconds to check for water. Compact design allows it to fit in tight spaces. Easy installation. Equipped with gasoline resistant strainer base and 72" wire leads.

Model 25S-6WC



Model 25S-6WC

PWC Non-Automatic 500 GPH (1893 LPH) Pump

Removes water from engine compartment. Compact design allows it to fit in tight spaces. Easy installation. Equipped with gasoline resistant strainer base and 72" wire leads.

Model 25D-6WC



Model 25D-6WC

PWC Pump Installation Kit

Contains everything necessary for a Rule Personal Watercraft Pump installation. Includes: 2' (0.6 m) of discharge hose, holesaw, thru-hull fitting, hose clamps, fuse holder, and a tube of Sudbury® Elastomeric Sealant.

Model PWC-1



Model PWC-1

PWC Pump On/Off Switch

Water resistant on/off toggle switch for on demand use of Rule Personal Watercraft Pumps.

Model 49PWC



Model 49PWC



Model 35

Model 36

Rule-A-Matic® Float Switch

Environmentally responsible. Completely sealed metal capsules enhance flawless operation. Year after year, the Rule-A-Matic® is the switch of choice of most selective yachtsmen, commercial fishermen, and boat builders the world over, which has made the Rule-A-Matic® the best selling float switch in the world. For use with pumps drawing up to 14 amps.

- Model 35** Rule-A-Matic®
- Model 35F** Rule-A-Matic® with fuse holder
- Model 35WG** Rule-A-Matic® with Guard
- Model 36** Switch Guard



Model 40

Rule-A-Matic® Plus™ Float Switch

The Rule-A-Matic® Plus™ represents the latest in innovation and design. Compact, sleek and rugged, the Rule-A-Matic® Plus™ Float Switch has a strong, fully integrated, impact resistant cover, which protects against debris and jamming. New highly abrasion resistant wires exit the top keeping them out of the water and keeping wear and tear to a minimum. Dual level anti-clog water slots provide a unique level of performance and protection. Manual testing feature allows an operations check. Available in fused and unfused versions. For use with pumps drawing up to 20 amps. Patent Pending.

- Model 40** Rule-A-Matic® Plus™ Float Switch
- Model 40F** Rule-A-Matic® Plus™ Float Switch with fuse holder



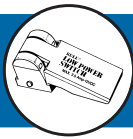
Model 37

Model 38

SuperSwitch™ Float Switch

Environmentally responsible. Completely sealed metal capsules enhance flawless operation. Designed for the toughest applications, and backed by a two-year warranty, the Rule SuperSwitch will be ready to work when you need it most. For use with pumps drawing up to 20 amps.

- Model 37** SuperSwitch™
- Model 37F** SuperSwitch™ with fuse holder
- Model 37WG** SuperSwitch™ with Guard
- Model 38** SuperSwitch™ Guard



ECO-Switch

The Rule ECO-Switch is an ecologically sound automatic bilge pump control switch. Featuring a non-mercury design, the pump operates with simple air pressure. As water rises in the bilge, air rises in the air tube that is attached to switch. This air pressure activates the switch which controls your pump. There are no moving internal parts, all wiring is out of the water, and there are no submerged electrical connections at all. Offering complete reliability and outstanding performance, the Rule ECO-Switch offers a viable alternative to traditional float switches. For pumps drawing up to 20 amps.



ECO-Switch

- Model 39 12 volts
- Model 39-24 24 volts

Switch Specifications

Model Name	Volts (DC)	Max Amps (12-24-32v)	Size (Height x Length x Width) (inches/mm)
Rule-A-Matic®	12-24-32	14	2" x 4-1/2" x 1-1/2" (51 x 114 x 38mm)
SuperSwitch™	12-24-32	20	2" x 5" x 2" (51 x 127 x 51mm)
Rule-A-Matic® Plus™	12-24-32	20	2-3/4" x 4-7/8" x 2-1/2" (70 x 124 x 64mm)
Switch Guard™	-	-	3-3/8" x 6-1/8" x 2-5/16" (86 x 162 x 59mm)
SuperSwitch™ Guard	-	-	3" x 5-3/4" x 2-1/4" (76 x 146 x 57mm)
ECO-Switch 39	12	20	1-7/8" x 6" x 2-3/4" (48 x 152 x 70mm)
ECO-Switch 39-24	24	10	1-7/8" x 6" x 2-3/4" (48 x 152 x 70mm)

Hi-Water Bilge Alarms

The Hi-Water Bilge Alarm consists of a float switch and an in-dash gauge that features both a visual and an audible 85 db alarm. This unit allows an unmanned compartment to be constantly monitored. For additional compartments add additional Rule Float Switches. Complies with CFR 182.530 which requires a visual and audible alarm in each unmanned space on commercial vessels at least 26' (7.9m) in length.



Model 33AL

- Model 33AL 12 VDC
- Model 32AL 24 VDC
- Model 31AL 32 VDC



Model 41

3-Way Panel Lighted Switch

Controls any pump equipped with an automatic float switch. Toggle has three positions (automatic, off, or manual) and has a "fail safe" spring return to "off" from the "manual" position. Panel is black stainless steel and has red indicator light and fuse holder.

- Model 41 12 VDC
- Model 42 24/32 VDC



Model 45

3-Way Panel Switch

Similar to the Lighted Panel Switch but without indicator light or fuse holder. The "manual" position has a "fail-safe" spring return to "off" so you can't leave your pump running by accident. Black stainless steel panel.

- Model 45 12/24/32 VDC



Model 43

3-Way Lighted Rocker Panel Switch

Controls any pump equipped with an automatic float switch. This unit features a black plastic panel. It has a built-in fuse holder and an internally lighted rocker switch with 3 positions (automatic, off, or manual) with the Rule "fail-safe" spring return to "off" from the "manual" position.

- Model 43 12 VDC
- Model 44 24/32 VDC



Model 49

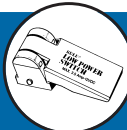
2-Way Panel Switch

Attractive black stainless steel panel highlights your control panel. Simple "on" and "off" toggle provides fingertip control.

- Model 49 12/24/32 VDC

Panel Switch Specifications

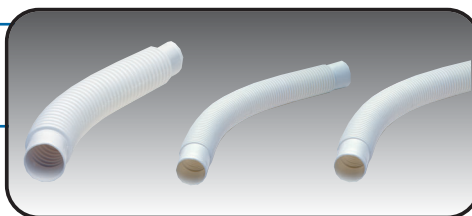
Model	Description	Volts (DC)	Max Amps (DC)	Size (Width x Height) (mm/inches)
41	3 Way Panel Switch - Lighted	12	20	3-1/4" x 2" (83 x 51mm)
42	3 Way Panel Switch - Lighted	24-32	20	3-1/4" x 2" (83 x 51mm)
45	3 Way Panel Switch	12-24-32	20	2-1/4" x 2" (57 x 51mm)
43	3 Way Rocker Panel Switch - Lighted	12	20	2-7/8" x 2-3/8" (73 x 60mm)
44	3 Way Rocker Panel Switch - Lighted	24	20	2-7/8" x 2-3/8" (73 x 60mm)
49	2 Way Panel Switch	12-24-32	20	2-1/4" x 2" (57 x 51mm)



Corrugated White Polyethylene Bilge Hose

All Rule hoses are designed for use with Rule pumps. Sizes up to and including 1-1/2" (38mm) diameter have smooth mounting cuffs every 12" (305mm). Flexible for easy installation and resistant to detergents, oil, gasoline, diesel fuel and salt water.

Model 81	3/4" (19mm) I.D. Hose in 100' (31m) lengths
Model 80	1-1/8" (29mm) I.D. Hose in 100' (31m) lengths
Model 88	1-1/2" (38mm) I.D. Hose in 100' (31m) lengths
Model 90	2" (51mm) I.D. Hose in 50' (15m) lengths
Model 92	3" (76mm) I.D. Hose in 50' (15m) lengths



88 80 81

Deluxe PVC Ribbed Bilge Hose

Clear ribbed bilge hose. Smooth inside finish improves pump performance. Rigid helix provides excellent abrasion resistance.

Model 82	3/4" (19mm) I.D. Hose in 100' (31m) lengths
Model 83	1-1/8" (29mm) I.D. Hose in 100' (31m) lengths
Model 84	1-1/2" (38mm) I.D. Hose in 100' (31m) lengths



82 83 84

3-Way Fittings for Bilge Hose

Rule now offers convenient "T" and "Y" fittings for popular bilge hose sizes

Model 212	Y Fitting, 3/4" (19mm) hose
Model 213	Y Fitting, 1-1/8" (29mm) hose
Model 215	T Fitting, 3/4" (19mm) hose
Model 216	T Fitting, 1-1/8" (29mm) hose



212 213 215 216

Vented Loops

For use in bilge pump installations to prevent siphoning of water back into boat from thru hull. Duckbill one-way valve system incorporated in the top of the loop allows air to enter the line when not in use, yet effectively seals as water passes through.

Model 260	3/4" (19mm) Vented Loop
Model 261	1-1/8" (29mm) Vented Loop

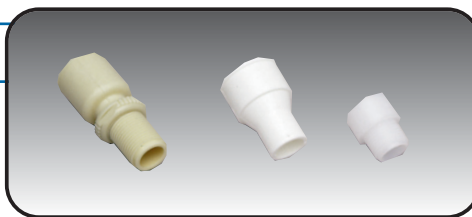


260 261

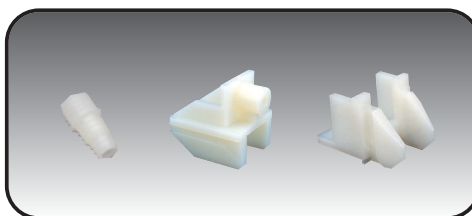
Adapters

Designed to be used with Rule Pumps and thru-hulls. Heavy-duty molded, non-corrosive, high impact plastic.

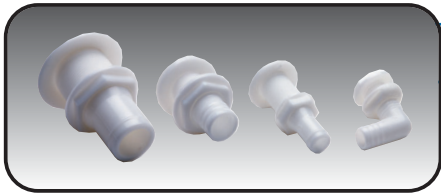
Model 63	Bulkhead adapter-adapts 1-1/2" (38mm) hose to standard garden hose fitting
Model 67	Hose adapter-adapts 1-1/2" (38mm) outlet to 1-1/8" (29mm) hose
Model 68	Garden hose adapter-adapts 1-1/8" (29mm) outlet to standard garden hose fitting
Model 69	Double stepped straight adapter for adapting 1-1/8" (29mm) outlet to 3/4" (19mm) or 5/8" (16mm) I.D. hose.
Model 64	Adapter to attach Rule SuperSwitch to Rule 3700 (14010) and 4000 GPH (15140 LPH) Pumps
Model 65	Adapter to attach Rule SuperSwitch or Rule-A-Matic® Switch to Rule 1500 (5678), 2000 GPH (7571 LPH) and 5-Year Pumps



63 67 68



69 64 65

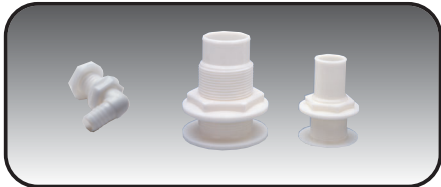


59 60 61S 61

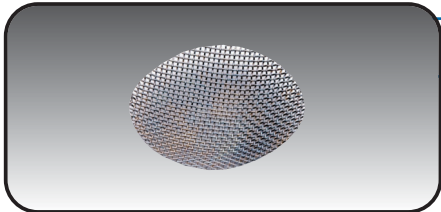
Thru Hull Fittings

High impact plastic will not rust, corrode or discolor. Specially designed for Rule pumps.

- Model 59** 1-1/2" (38mm) straight
- Model 60** 1-1/8" (29mm) straight
- Model 61** 3/4" (19mm) right angle
- Model 61S** 3/4" (19mm) straight
- Model 62** 5/8" (16mm) right angle
- Model 72** 2" (51mm) straight
- Model 74** 3" (76mm) straight



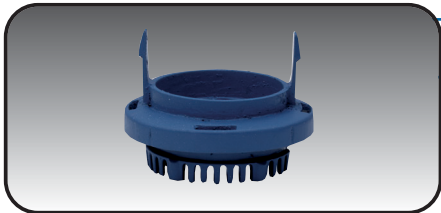
62 74 72



Model 70

Stainless Steel Debris Strainer

Extra measure of protection for use on round based Rule pumps up to 3700 GPH (14010 LPH). Installs directly into existing strainer. Filters out excess debris and helps prevent jamming and failure.



Model 71

Universal Pump Adapter

Allows all Rule 360 (1360), 500 (1893), 800 (3028) Round and 1100 GPH (4164 LPH) pumps to be mounted to competitive bases: Attwood® V-500, Mayfair Proline 500 (1893), 750 (2839), 1000 (3785) and West Marine 500 (1893), 750 (2839) and 1000 GPH (3785 LPH) models.

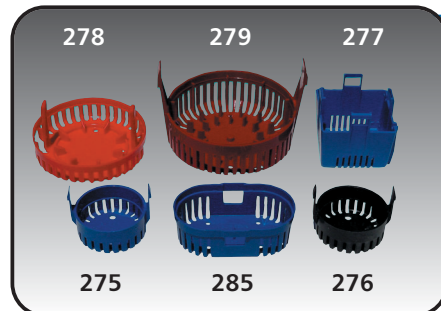


Model 99 Model 66

Side Mount Brackets

Permits small Rule bilge pumps to be side mounted to a vertical stringer, a bulkhead or a transom. Use this bracket when bottom mounting is inconvenient or impossible. Simply remove the strainer from the pump, put the bracket in place, and reassemble.

- Model 66** Round pumps from 360 (1360) to 1100 GPH (4164 LPH)
- Model 99** Rule-Mate bilge pumps from 500 (1893) to 1100 GPH (4164 LPH)



278 279 277
275 285 276

Replacement Strainer Bases

Original replacement strainer base for your Rule Bilge Pump

- Model 275** Round Rule Pumps, 360 to 1100 GPH
- Model 276** Gas Resistant Strainer Base for above models
- Model 277** Square Rule Bilge Pumps
- Model 278** Round Rule Pumps, 1500 to 2000 GPH
- Model 279** Round Rule Pumps, 2800 to 3700 GPH
- Model 285** Rule Mate Bilge Pumps, 500 to 1100 GPH
- Model 286** Rule Mate Bilge Pumps, 1500 to 2000 GPH



For over fifty years, Danforth has led the way in the design and manufacture of innovative marine compasses, incorporating an exclusive NO-SPIN Global Balancing card system for stable readings in all sea conditions world-wide.

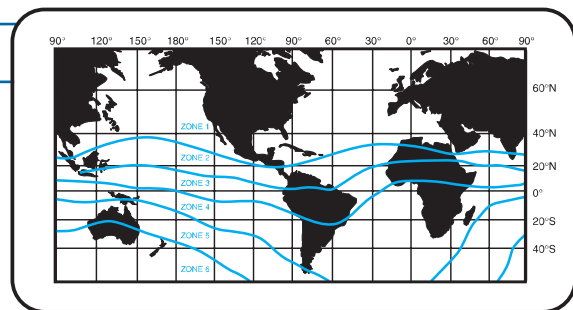
As part of ITT Industries, Danforth represents the broadest compass line available in the world. Exclusive technologies and patents, combined with the care and craftsmanship of a proud American staff, make Danforth compasses your best choice for accuracy and reliability.

Danforth, with many models recognized as "classics" for prestigious yachts, Coast Guard, Navy and commercial vessels, is synonymous with "the finest that money can buy".

Global Balancing System

Magnetic compasses normally require special card balancing for use in the Southern Hemisphere. The exclusive (patent pending) Danforth Global Balancing system eliminates the need for latitude-specific card balancing. Only Danforth offers a full range of compass models balanced for use world-wide.

Available Spring 2003 for all 2-5/8" (27mm) through 4-1/2" (115mm) flat and front-reading models.



"Global Balance" models remain level in all six zones

Danforth® Compasses ISO 613, ISO 14227

FLAT CARD COMPASSES

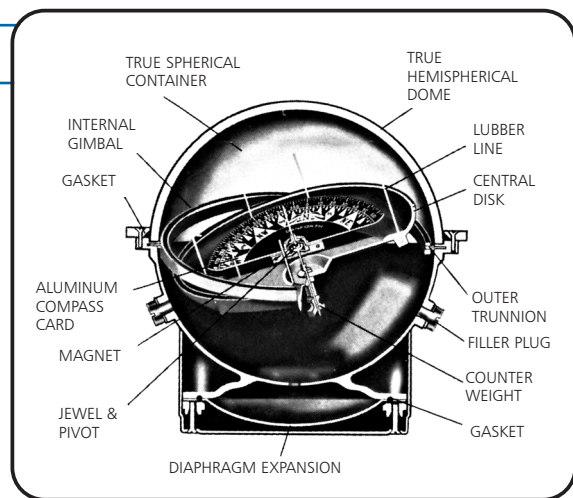
Flat card compasses feature saucer-shaped compass cards supported by jewel pivots. They are installed forward of the helm, and below eye level, so the skipper can glance down to read his course.

FRONT READING COMPASSES

Front reading compasses have dome-shaped compass cards, and the course is read from the edge. They are mounted forward of the helm and can be read from almost any viewing angle. Front reading compasses feature an exclusive "Guaranteed No-Spin" design, which eliminates the support components that can cause cards to spin due to vibration and fast running in heavy chop.

DUAL READING COMPASSES

Dual reading compasses feature a modified flat card with an edge "skirt" for front reading as well. These cards offer exceptional stability in any seaway.





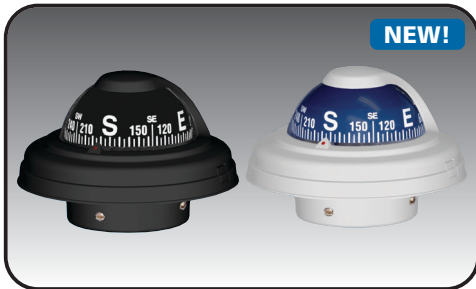
Model C100

Model C101



Model C102

Model C103



Model C104

Model C105

Danforth® Quest™ 2" (51mm)

Whether your fun takes you on the water or off-road, the new Danforth® Quest™ compass will point the way.

The Quest™ Compass's unique bracket design provides the versatility to mount your compass at any angle—on horizontal, vertical and even overhead surfaces. And with the adhesive mounting disk provided, use of screws is optional. (3 screws provided). Flush mounting models are available.

Our exclusive NO-SPIN card technology gives you guaranteed accuracy and rock-steady readings in a small, sporty size.

Hi-flux corrector magnets provide the added measure of adjustment often required for automobile, RV, ATV, snowmobile and certain marine installations. 12 VDC red night illumination is standard.

Model	Description	Apparent Card Size (inches/mm)	Card Degrees	Finish	Mounting Style
C100	Front Read, Black Card	2" (51mm)	5°	Black	Brkt
C101	Front Read, Blue Card	2" (51mm)	5°	White	Brkt
C102	Front Read, Blue Card	2" (51mm)	5°	Gray	Brkt
C103	Front Read, Black Card	2" (51mm)	5°	Yellow	Brkt
C104	Front Read, Black Card	2" (51mm)	5°	Black	Flush
C105	Front Read, Blue Card	2" (51mm)	5°	White	Flush

A 2" (51mm) D 1.79" (45mm)
 B 1.65" (42mm) E 3.19" (81mm)
 C 2.17" (55mm)

A 3" (76mm) C 2-1/2" (64mm)
 B 2" (51mm) D 1-3/4" (45mm)

Danforth® Skipper II™ Series - 2-5/8" (67mm)

Skipper II™ compasses have exclusive guaranteed no-spin Global Balance front reading cards with 5° graduations for stable readings at high speeds or in rough weather. Full 30° card tilt angle. Other features include large illuminated 2-5/8" (67mm) Lexan® dome and high visibility bright yellow or red lubber line. All Skipper II™ models have an expansion diaphragm, cross-bar compensating system, and night illumination (No. A4569-50-6R light kit optional on A80 models).

A 2-5/8" (67mm)
 B 1-3/4" (44mm)
 C 1-7/64" (28mm)
 D 2-7/8" (73mm)
 E 4-1/2" (115mm)
 F 2-7/8" (73mm)

Model A92

Flush Mount

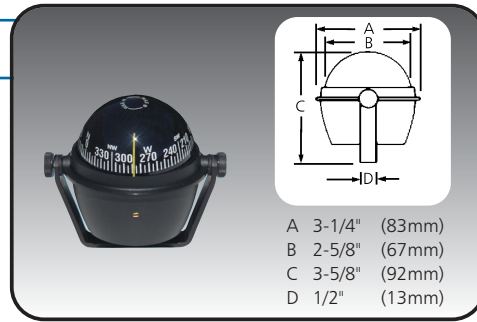
Model	Description	Apparent Card Size (inches/mm)	Card Degrees	Finish	Bearing Lines
A92	Front Read with Hood	2-5/8" (67mm)	5°	Black	0°
A92G	Front Read, Blue Card with Hood	2-5/8" (67mm)	5°	Gray	0°
A92W	Front Read with Hood	2-5/8" (67mm)	5°	White	0°



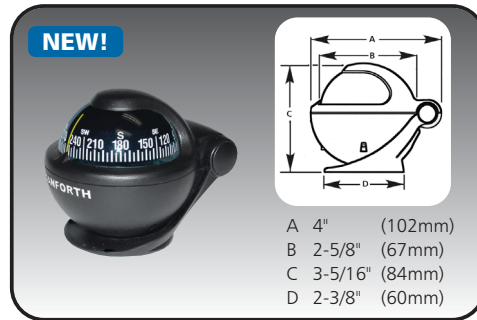
Bracket Mount

Model	Description	Apparent Card Size (inches/mm)	Card Degrees	Finish	Bearing Lines
A80B	Front Read	2-5/8" (67mm)	5°	Black	0°
A80W	Front Read, Blue Card	2-5/8" (67mm)	5°	Gray	0°
A92W	Front Read, White Card	2-5/8" (67mm)	5°	White	0°
A91	Front Read Bracket mount	2-5/8" (67mm)	5°	Black	0°
A91G	Front Read, Blue Card Bracket mount	2-5/8" (67mm)	5°	Gray	0°
A91W	Front Read, White Card Bracket mount	2-5/8" (67mm)	5°	White	0°

A91 compasses feature a modular design. The capsules are easily removable for storage below or for use as a hand bearing compass.



Model A80B



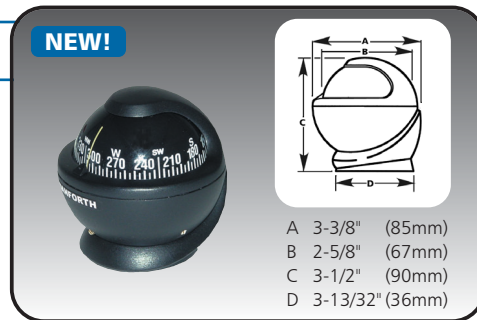
Model A91

Surface Mount

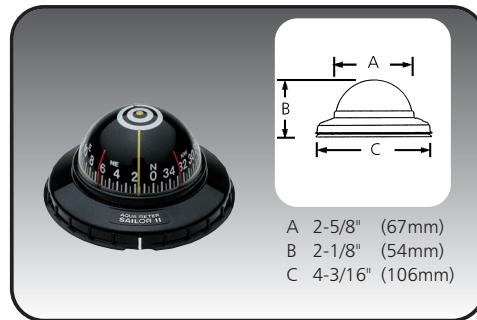
A93 and A121 compasses feature a modular design. The capsules are easily removable for storage below or for use as a hand bearing compass.

Model	Description	Apparent Card Size (inches/mm)	Card Degrees	Finish	Bearing Lines
A93B	Front Read	2-5/8" (67mm)	5°	Black	0°
A93G	Front Read, Blue Card	2-5/8" (67mm)	5°	Gray	0°
A93W	Front Read	2-5/8" (67mm)	5°	White	0°
A121	Front Read	2-5/8" (67mm)	5°	Black	0°

The A121 compass features an exclusive water-tight mounting system for installations on flat or curved surfaces.



Model A93B

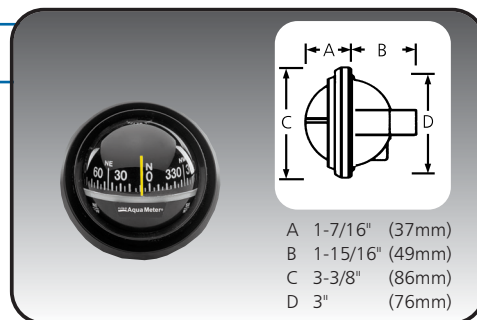


Model A121

Panel Mount

A103PB and A10063 are adjustable for mounting on surfaces from vertical to a 30° incline.

Model	Description	Apparent Card Size (inches/mm)	Card Degrees	Finish	Bearing Lines
A103PB	Front Read	2-5/8" (67mm)	5°	Black	0°
A10063	Front Read Surface/Panel Mount	2-5/8" (67mm)	5°	Chrome	0°



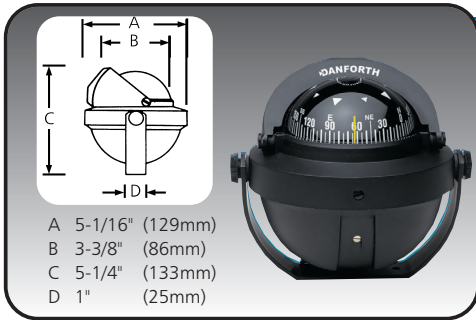
Model A103PB



Danforth® Cruiser™ Series – 3-3/8" (86mm)

FOR POWERBOAT INSTALLATIONS

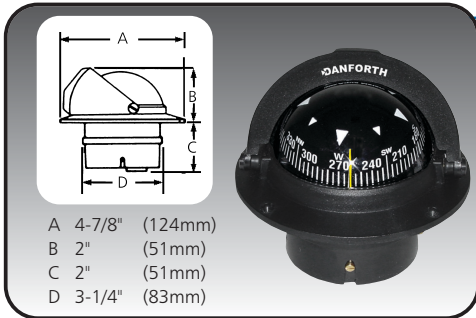
Cruiser™ compasses are available with a front-reading, 3-3/8" (86mm) apparent diameter NO-SPIN Global Balance* card or a front or flat reading card. Designed for cruising class boats in the 18 to 30 foot range, all Cruiser™ compasses have crystal clear spherical acrylic domes, cross-bar compensators, and red night illumination.



Model A150

Bracket Mount

Model	Description	Apparent Card Size (inches/mm)	Card Degrees	Finish	Bearing Lines
A150	Front Reading, Black	3-3/8" (86mm)	5°	Black	0°/45°
A151	Flat Card, Black	3-3/8" (86mm)	5°	Black	0°/45°/180°



Model A154

Flush Mount

Model	Description	Apparent Card Size (inches/mm)	Card Degrees	Finish	Bearing Lines
A154	Front Reading, Black	3-3/8" (86mm)	5°	Black	0°/45°
A154W	Front Reading, White	3-3/8" (86mm)	5°	White	0°/45°
A154WB	Front Reading, White with Blue Card	3-3/8" (86mm)	5°	White	0°/45°
A156	Flat Card	3-3/8" (86mm)	5°	Black	0°/45°/180°



Model A152

Binnacle Mount

Model	Description	Apparent Card Size (inches/mm)	Card Degrees	Finish	Bearing Lines
A152	Front Reading	3-3/8" (86mm)	5°	Black	0°/45°
A155	Flat Card	3-3/8" (86mm)	5°	Black	0°/45°/180°

*Available Spring 2003.



Corsair® IV & Saturn® Series –3¾" (95mm)

The Corsair® IV compasses offer you a choice of traditional flat card or exclusive NO-SPIN Global Balance® front read and dual read card models. Available in flush, binnacle or bracket mounting styles, for power or sail, these attractive 3-3/4" (95mm) compasses sport a unique telescoping hood which protects the compass when not in use. Corsair® IV compasses are available in Hi-Speed® powerboat models for planing hulls and are fully gimballed models for sailboat installations. All Corsair® IV capsules are easily removable for winter storage. Navy red L.E.D. night illumination and built-in compensators are standard.



All models feature a telescoping, full closure hood.

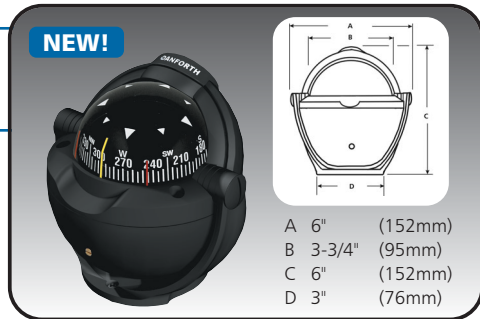
Model	Mounting Style	Card Size	Card Style	Card Color	Housing Finish
C352-3	Binnacle	3-3/4" (95mm)	Flat	Black	Black
C352F-3	Binnacle	3-3/4" (95mm)	Front Reading	Black	Black
C398-3	Bracket	3-3/4" (95mm)	Flat	Black	Black
C398F-3	Bracket	3-3/4" (95mm)	Front Reading	Black	Black
C399-3	Flush	3-3/4" (95mm)	Flat	Black	Black
C399-3W	Flush	3-3/4" (95mm)	Flat	White	White
C399D-3	Flush	3-3/4" (95mm)	Dual Reading	Black	Black
C399D-3W	Flush	3-3/4" (95mm)	Dual Reading	White	White
C399D-3WB	Flush	3-3/4" (95mm)	Dual Reading	Blue	White
C399F-3	Flush	3-3/4" (95mm)	Front Reading	Black	Black
C399F-3W	Flush	3-3/4" (95mm)	Front Reading	White	White

Bracket Mount Hi-Speed® Corsair® IV – 3¾" (95mm)

POWER OR SAILBOATS

The Hi-Speed model's specially formulated dampening fluid makes this compass exceptionally stable at higher boat speeds.

Model	Description	Apparent Card Size (inches/mm)	Card Degrees	Finish	Bearing Lines
C398-3	Flat Card	3-3/4" (95mm)	5°	Black	0°/45°/180°
C398F-3	Front Reading	3-3/4" (95mm)	5°	Black	0°/45°



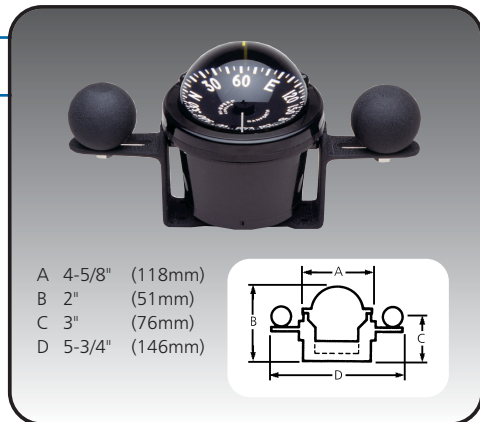
Model C398F-3

Yoke Mount Steel Boat

POWER OR SAILBOATS

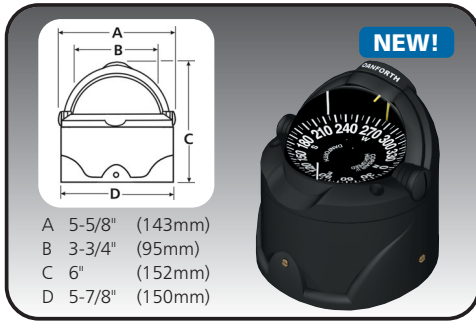
External corrector spheres are designed to eliminate the deviations inherent in steel boats. No hood.

Model	Description	Apparent Card Size (inches/mm)	Card Degrees	Finish	Bearing Lines
C373	Flat Card	3-1/2" (89mm)	5°	Black	0°/45°/180°



Model C373

*Available Spring 2003.



- A 5-5/8" (143mm)
- B 3-3/4" (95mm)
- C 6" (152mm)
- D 5-7/8" (150mm)

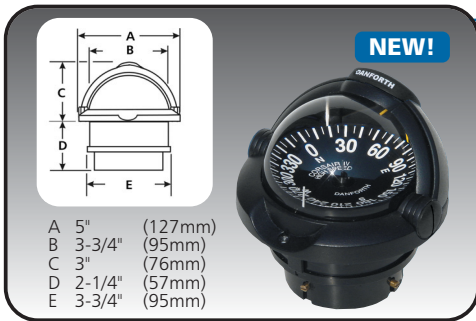
Model C352-3

Binnacle Mount Hi-Speed® Corsair® IV – 3 3/4" (95mm)

POWER OR SAILBOATS

Model	Description	Apparent Card Size (inches/mm)	Card Degrees	Finish	Bearing Lines
C352-3	Flat Card	3-3/4" (95mm)	5°	Black	0°/45°/180°
C352F-3	Front Reading	3-3/4" (95mm)	5°	Black	0°/45°

Feature surface mounting with no holes to cut.



- A 5" (127mm)
- B 3-3/4" (95mm)
- C 3" (76mm)
- D 2-1/4" (57mm)
- E 3-3/4" (95mm)

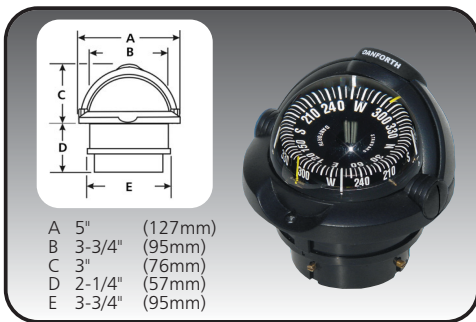
Model C399-3

Flush Mount Hi-Speed® Corsair® IV – 3 3/4" (95mm)

POWER OR SAILBOATS

Model	Description	Apparent Card Size (inches/mm)	Card Degrees	Finish	Bearing Lines
C399-3	Flat Card	3-3/4" (95mm)	5°	Black	0°/45°/180°
C399-3W	Flat Card, White	3-3/4" (95mm)	5°	White	0°/45°/180°

Feature extra large numbers for clear viewing.

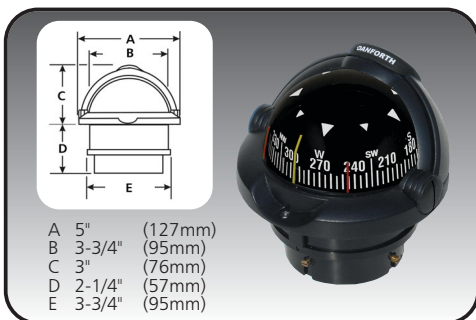


- A 5" (127mm)
- B 3-3/4" (95mm)
- C 3" (76mm)
- D 2-1/4" (57mm)
- E 3-3/4" (95mm)

Model C399D-3

Model	Description	Apparent Card Size (inches/mm)	Card Degrees	Finish	Bearing Lines
C399D-3	Dual Read	3-3/4" (95mm)	5°	Black	0°/45°/180°
C399D-3W	Dual Read, Black	3-3/4" (95mm)	5°	White	0°/45°/180°
C399D-3WB	Dual Read, Blue	3-3/4" (95mm)	5°	White	0°/45°/180°

Feature traditional top viewing and edge reading for low angle viewing.



- A 5" (127mm)
- B 3-3/4" (95mm)
- C 3" (76mm)
- D 2-1/4" (57mm)
- E 3-3/4" (95mm)

Model C399F-3

Model	Description	Apparent Card Size (inches/mm)	Card Degrees	Finish	Bearing Lines
C399F-3	Front Reading	3-3/4" (95mm)	5°	Black	0°/45°
C399F-3W	Front Reading, White	3-3/4" (95mm)	5°	White	0°/45°

Feature exclusive NO-SPIN card for stable readings, even in the toughest conditions.



Danforth® Saturn Series® – 3 3/4" (95mm)

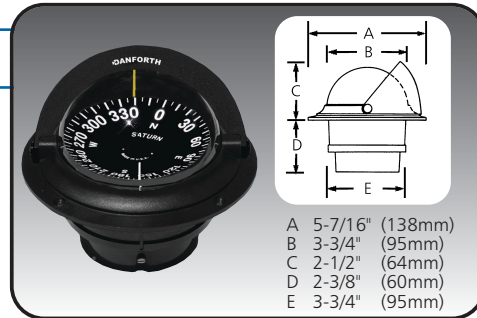
"The Value Choice"

The compact 3-3/4" (95mm) saturn compasses are available with our exclusive NO-SPIN Global Balance* front reading card, flat card or dual-reading card. All Saturn® compasses feature an adjustable hood, compensators, and night illumination.

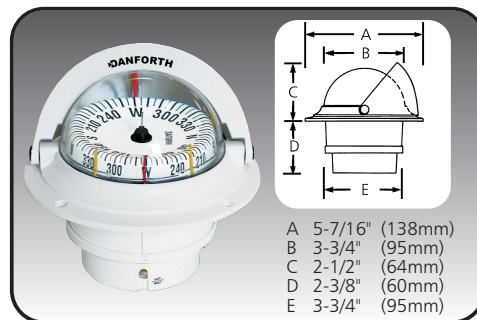
Flush Mount

FOR POWERBOAT AND SAILBOAT INSTALLATIONS

Model	Description	Apparent Card Size (inches/mm)	Card Degrees	Finish	Bearing Lines
A143	Front Reading	3-3/4" (95mm)	5°	Black	0°/45°
A143W	Front Reading	3-3/4" (95mm)	5°	White	0°/45°
A143D	Dual Reading	3-3/4" (95mm)	5°	Black	0°/45°/180°
A143DW	Dual Reading	3-3/4" (95mm)	5°	White	0°/45°/180°
A144	Flat Card	3-3/4" (95mm)	5°	Black	0°/45°/180°



Model A144



Model A143DW

Dual-Reading Card

Model	Description	Apparent Card Size (inches/mm)	Card Degrees	Finish	Bearing Lines
A140	Dual Read, Red	3-3/4" (95mm)	5°	Black	0°/45°/180°
A140W	Dual Read, White	3-3/4" (95mm)	5°	White	0°/45°/180°

142-24 Cover included with new style A140 models.

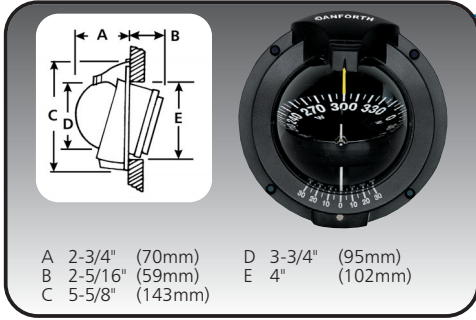
Can be mounted on vertical surfaces and surfaces canted up to 15° forward.



Model A140W

Model A140

*Available Spring 2003.

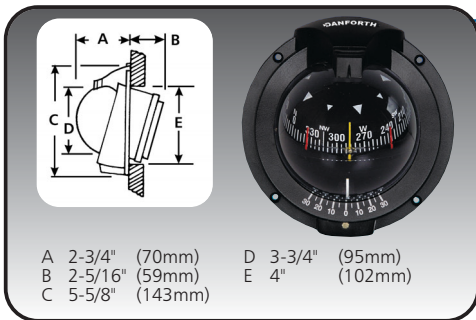


Model A142

Flat Card

NEW STYLE! Cover included

Model	Description	Apparent Card Size (inches/mm)	Card Degrees	Finish	Bearing Lines
A141	Flat Card	3-3/4" (95mm)	5°	White	0°/45°/180°
A142	Flat Card	3-3/4" (95mm)	5°	Black	0°/45°/180°

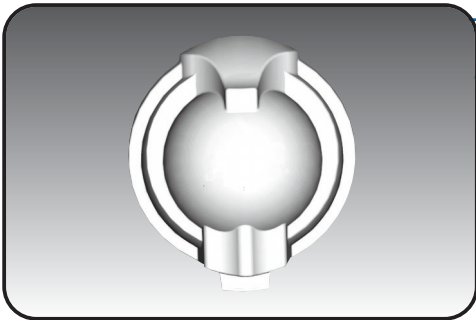


Model A149

Front Reading Card

NEW STYLE! Cover included

Model	Description	Apparent Card Size (inches/mm)	Card Degrees	Finish	Bearing Lines
A149	Front Reading	3-3/4" (95mm)	5°	Black	0°/45°

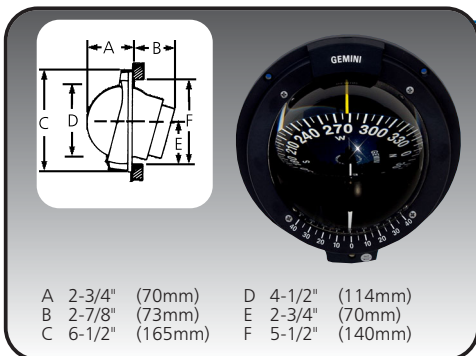


Model 142-24

Bulkhead Mount

Model	Description
A145	Bulkhead mount back cover – Fits all models
142-24	Bulkhead mount front cover – Included with new style compass Fits new style models A140, A140W, A141, A142, A149
A14C	Bulkhead mount front cover – Fits model A140, A140W, A149 Manufactured prior to 2001

A142-24 cover included with all "new style" bulkhead mount Saturn® compasses.



Model A182

Bulkhead Mount – 4 1/2" (114mm)

Fully gimballed for stable readings at any angle of heel.

Model	Description	Apparent Card Size (inches/mm)	Card Degrees	Finish	Bearing Lines
A182	Flat Card	4-1/2" (114mm)	5°	Black	0°/45°/90°/180



Danforth® Constellation® Family – 4 1/2" (114mm), 5" (127mm), 5 1/2" (140mm), 6" (152mm), 8" (203mm)

Constellation® compasses have earned the title of The World's Most Trusted® Compasses. They are used worldwide for larger pleasure boats, ocean racing powerboats and sailboats, commercial vessels, fishing fleets and by the U.S. Navy and Coast Guard.

The Constellation® compass features an internal gimbal ring that allows full tilt and heel, a virtually indestructible jewel and hardened alloy pivot and a unique concave distant reading card that lets you read it from longer distances and at lower angles of sight. Dual reading cards are also available on 4-1/2" (114mm) models.

Available in flush, binnacle and bracket mounting styles, for power or sail, these prestigious compasses provide uncompromising quality and performance for the most discerning yachtsmen.



Model C625SB

Bracket Mount Steel Boat – 5" (127mm) , 6" (152mm)

POWER OR SAILBOATS

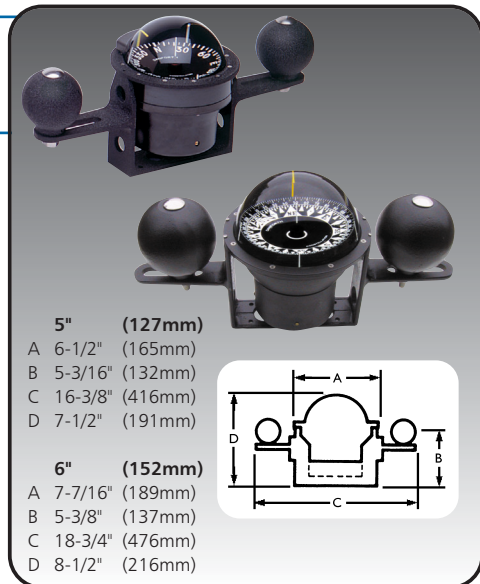
Steel Boat Compasses

All Danforth® steel boat compasses are equipped with external bracket mounted quadrantal corrector spheres, designed to eliminate deviation caused by transient induced magnetism.

12 volt low-level LED lighting and built-in correctors are standard on all 5" (127mm) and 6" (152mm) sizes.

See page 30 for Corsair® 3-1/2" Steel Boat Compass.

Model	Description	Apparent Card Size (inches/mm)	Card Degrees	Finish	Bearing Lines
C557G	Flat Card	5" (127mm)	5°	Black	0°/45°/180°
C627G	Flat Card	6" (152mm)	2°	Black	0°/45°/90°/180°



Model C557G

Model C627G

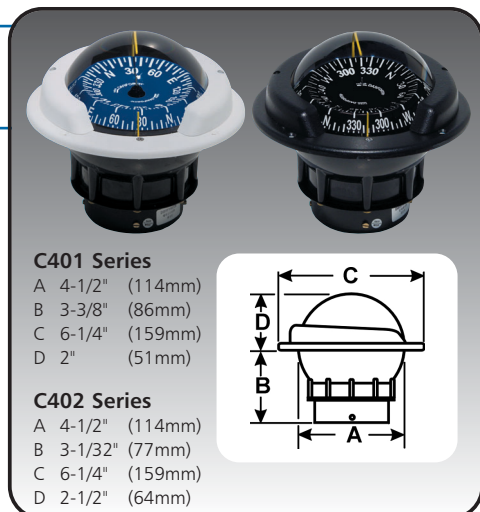
Flush Mount – 4 1/2" (114mm) Dual Reading Card

POWER OR SAILBOATS

For flush mounting on horizontal surfaces.

Exclusive Global Balance card system available Spring 2003 for all 4 1/2" (114mm) models.

Model	Description	Apparent Card Size (inches/mm)	Card Degrees	Finish	Bearing Lines
C401D	Dual Read	4-1/2" (114mm)	5°	Black	0°/45°/180°
C401DWB	Dual Read, Blue Card	4-1/2" (114mm)	5°	White	0°/45°/180°
C402DB	Dual Read, Blue Card	4-1/2" (114mm)	5°	Black	0°/45°/180°



Model C401DWB

Model C401D



Model C402DB

Flush Mount – 4 1/2" (114mm) Dual Reading Card

The new model C402DB features a fully gimballed dual-reading card system ideal for raised console mounting with eye-level viewing. Our new navy red "tri-light" provides superb night illumination for top or front reading. A hard plastic cover is included with all C402 models.

- C402 Series**
 A 4-1/2" (114mm)
 B 3-1/32" (77mm)
 C 6-1/4" (159mm)
 D 2-1/2" (64mm)



Model C401WB

Model C402

Flush Mount – 4 1/2" (114mm) Flat Card

POWER OR SAILBOATS
 Can be mounted on any horizontal surface.

Model	Description	Apparent Card Size (inches/mm)	Card Degrees	Finish	Bearing Lines
C401	Flat Card	4-1/2" (114mm)	5°	Black	0°/45°/180°
C401WB	Flat Card, Blue	4-1/2" (114mm)	5°	White	0°/45°/180°
C402	Flat Card	4-1/2" (114mm)	5°	Black	0°/45°/180°
C402B	Flat Card, Blue	4-1/2" (114mm)	5°	Black	0°/45°/180°
C402W	Flat Card, White	4-1/2" (114mm)	5°	White	0°/45°/180°

- C401 Series**
 A 4-1/2" (114mm)
 B 3-3/8" (86mm)
 C 6-1/4" (159mm)
 D 2" (51mm)



Model C561HA

Model C561HS

Flush Mount Hi-Speed® – 5" (127mm) , 5 1/2" (140mm), 6" (152mm)

The Hi-Speed® compass provides greater card dampening at higher boat speeds.

The model C561HS features extra large card graphics for clear visibility even from a distance. Ruggedly constructed using a virtually indestructible Lexan® dome, cast aluminum bezel ring, sapphire jewel and hardened stainless pivot, this compass will provide many years of dependable service.

- 5" (127mm) 5-1/2" (140mm) 6" (152mm)
 A 5-7/8" (149mm) 6-1/2" (165mm) 7" (178mm)
 B 3" (76mm) 4" (102mm) 4-1/4" (114mm)
 C 7-1/2" (191mm) 7-1/2" (191mm) 9-1/2" (241mm)
 D 4-1/2" (114mm) 4-1/4" (114mm) 5-1/16" (129mm)
 E 3-1/16" (78mm) 3-1/2" (89mm) 3" (76mm)

Model	Description	Apparent Card Size (inches/mm)	Card Degrees	Finish	Bearing Lines
C561HA	Flat Card	5" (127mm)	5°	Black	0°/45°/180°
C561HS	Flat Card	5-1/2" (140mm)	5°	Black	0°/45°/180°
C661HA	Flat Card	6" (152mm)	5°	Black	0°/45°/180°

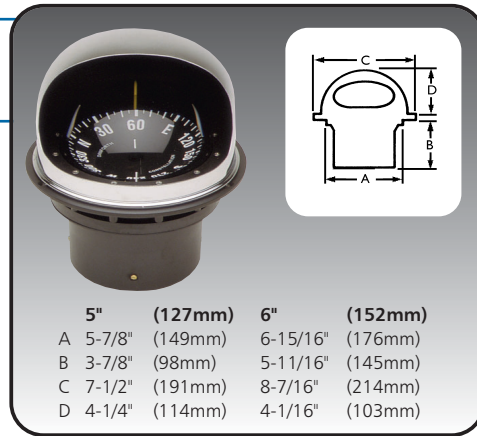


Bridge Flush Mount (with hood) - 5" (127mm), 6" (152mm)

POWER OR SAILBOATS

Specially suited for mounting conditions when a high deck area forward of the wheel makes reading of a conventional binnacle compass difficult. The low flush mount with lift-off hood makes compass readings easier and faster.

Model	Description	Apparent Card Size (inches/mm)	Card Degrees	Finish	Bearing Lines
C580CA	Flat Card	5" (127mm)	5°	Black	0°/45°/180°
C680CA	Flat Card	6" (152mm)	5°	Black	0°/45°/180°



	5" (127mm)	6" (152mm)
A	5-7/8" (149mm)	6-15/16" (176mm)
B	3-7/8" (98mm)	5-11/16" (145mm)
C	7-1/2" (191mm)	8-7/16" (214mm)
D	4-1/4" (114mm)	4-1/16" (103mm)

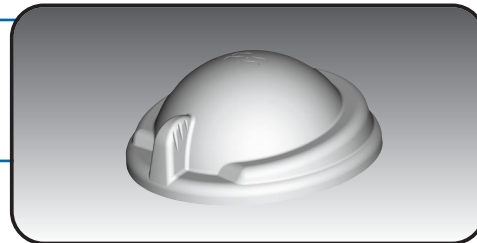
Model C580CA

Binnacle Mount – 4 1/2" (114mm), 5" (127mm), 5 1/2" (140mm), 6" (152mm), 8" (203mm)

POWER OR SAILBOATS

Unique to compasses of this size, we now offer a "true" dual-reading card system in addition to the traditional flat card design. With 5° graduations for both top viewing as well as front edge markings for low angle viewing, these attractive new models are available in your choice of card colors and white or black cylinders. A white u.v.-stable plastic cover is included with all models.

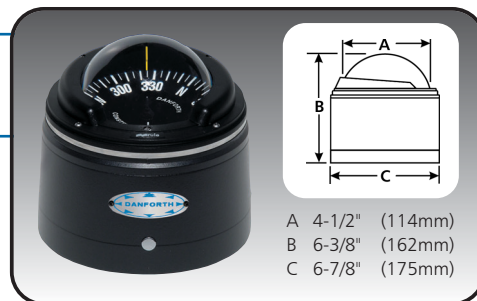
Designed for pedestal mounting as well as powerboat bridge installations, these new 4-1/2" (114mm) Danforth® compasses are the perfect choice for discerning yachtsmen.



Compass cover Model A14729 included with all Binnacle models

Binnacle Mount (cover included) – 4 1/2" (114mm) Flat Card

Model	Description	Apparent Card Size (inches/mm)	Card Degrees	Finish	Bearing Lines
C483	Flat Card	4-1/2" (114mm)	5°	Black	0°/45°/180°
C483W	Flat Card	4-1/2" (114mm)	5°	White	0°/45°/180°
C483WB	Flat Card, Blue	4-1/2" (114mm)	5°	White	0°/45°/180°



A	4-1/2" (114mm)
B	6-3/8" (162mm)
C	6-7/8" (175mm)

Model C483



Model C483W

Model C483WB



3



Model C483D

Model C483DB



Model C483DWB

Model C483DWR

Binnacle Mount (cover included) – 4 1/2" (114mm) Dual Read Card

Model	Description	Apparent Card Size (inches/mm)	Card Degrees	Finish	Bearing Lines
C483D	Dual Read	4-1/2" (114mm)	5°	Black	
C483DB	Dual Read, Blue	4-1/2" (114mm)	5°	Black	
C483DWB	Dual Read, Blue	4-1/2" (114mm)	5°	White	
C483DWR	Dual Read, Red	4-1/2" (114mm)	5°	White	

CW-7 Pedestal weather shield for 4-1/2" (114mm) models is available.



Model C468

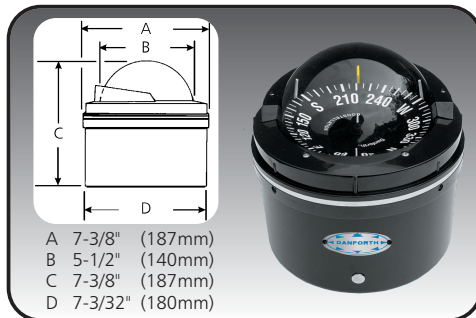
Express® Binnacle Removable Compass – 5" (127mm)

POWER OR SAILBOATS

One of our most popular Constellation® compasses. This removable model is very versatile. With a snap of a spring lock, the compass can be easily removed from its base for stowage below deck, mounting elsewhere or for use as a portable hand bearing compass. Commonly found on U.S. Coast Guard cutters and Navy vessels.

Easily mounted on sailboat pedestal steerers or powerboat bridges.

Model	Description	Apparent Card Size (inches/mm)	Card Degrees	Finish	Bearing Lines
C468	Flat Card	5" (127mm)	5°	Black	0°/45°/180°



Model C562B

Binnacle Mount (with cover) – 5 1/2" (140mm), 6" (152mm)

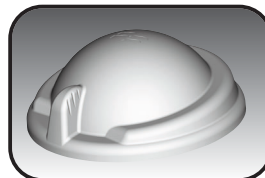
Easily mounted on sailboat pedestal steerers or powerboat bridges, these attractive new binnacle mount compasses feature a 5-1/2" (140mm) card with extra large graphics for easy viewing.



Model C562S

Model C562W

Model	Description	Apparent Card Size (inches/mm)	Card Degrees	Finish	Bearing Lines
C562B	Flat Card	5-1/2" (140mm)	5°	Black	0°/45°/180°
C562S	Flat Card	5-1/2" (140mm)	5°	Stainless	0°/45°/180°
C562W	Flat Card	5-1/2" (140mm)	5°	White	0°/45°/180°



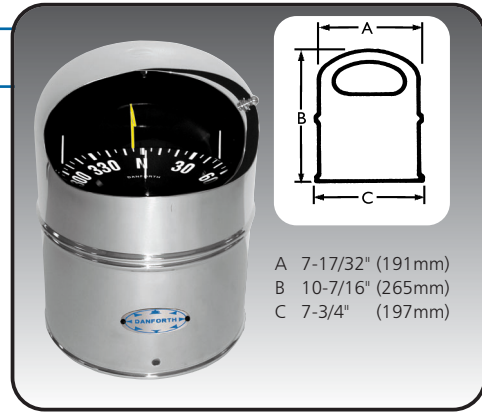
Cover included with C562 models



Binnacle Mount – 6" (152mm)

Easily mounted on sailboat pedestal steerers or power boat bridges.

Model	Description	Apparent Card Size (inches/mm)	Card Degrees	Finish	Bearing Lines
C655C	Flat Card	6" (152mm)	5°	Stainless	0°/45°/180



A 7-17/32" (191mm)
 B 10-7/16" (265mm)
 C 7-3/4" (197mm)

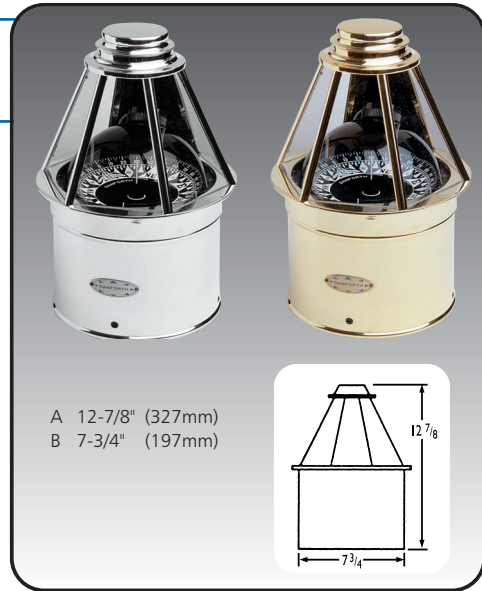
Model C655C

Skylight Head Binnacle Mount – 6" (152mm)

POWER OR SAILBOATS

For console or pedestal steerer. These magnificent polished shelf binnacle models are as functional as they are beautiful. You'll find them on classic sailing yachts or in the wheelhouse of classic power boats the world over.

Model	Description	Apparent Card Size (inches/mm)	Card Degrees	Finish	Bearing Lines
C625SB	Flat Card	6" (152mm)	2°	Brass	0°/45°/90°/180°
C625SC	Flat Card	6" (152mm)	2°	Chrome	0°/45°/90°/180°
C625SBAC	Flat Card	6" (152mm)	2°	Brass	0°/45°/90°/180°
C625SCAC	Flat Card	6" (152mm)	2°	Chrome	0°/45°/90°/180°



A 12-7/8" (327mm)
 B 7-3/4" (197mm)

Model C625SC

Model C625SB

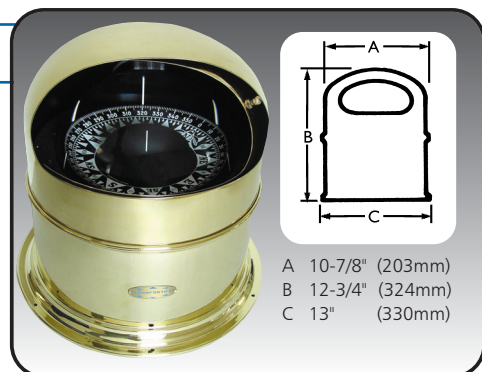
AC models: 115 Volt AC illumination (transformer included).
 No correctors.

Binnacle Mount – 8" (203mm)

POWER OR SAILBOATS

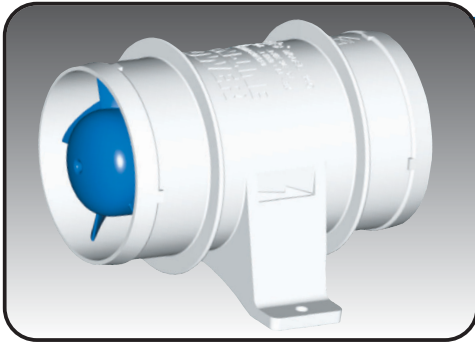
The Constellation® 8" (203mm) binnacle mount is the largest commercially available compass. Commonly found on the bridge of tugs and freighters, this magnificent compass is uncompromising in every respect.

Model	Description	Apparent Card Size (inches/mm)	Card Degrees	Finish	Bearing Lines
C825B	Flat Card, No Hood	8" (203mm)	1°	Brass	0°/45°/90°/180°
C825C	Flat Card, With Hood	8" (203mm)	1°	Chrome	0°/45°/90°/180°



A 10-7/8" (203mm)
 B 12-3/4" (324mm)
 C 13" (330mm)

Model C825B



Model 140



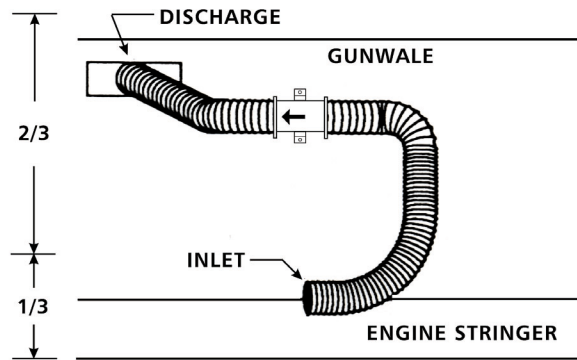
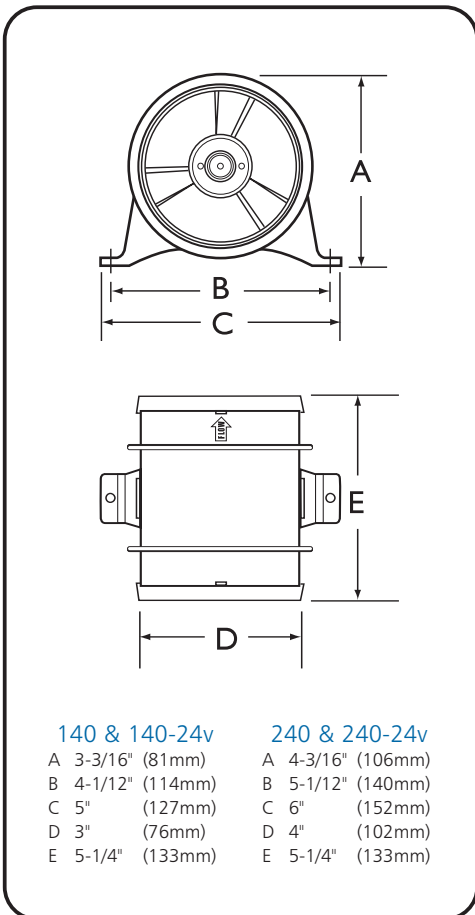
Model 240

Rule® In-line Blowers

Rule® in-line blowers provide ventilation for bilges, engine compartments, galleys and heads. Designed for efficient, high output operation, these blowers feature our exclusive front and rear shaft seals and corrosion resistant motor housings for long life. Compact and easily installed on any flat surface, Rule® in-line blowers provide higher air flow, lower amp draw and quieter operation than standard blowers.

- Efficient high volume air flow
- Quiet operation
- Low amp draw
- Slip on inlet and outlet ducting connections
- Sealed motor shaft for moisture protection
- Corrosion resistant nikel plated motor housing
- ABYC – H2; ISO 9097
- IMCI (CE)
- N.M.M.A. type accepted
- USCG 183.410 Compliant; Ignition protected

Model	Ducting (inches/mm)	Voltage	CFM@ Open Flow	Amp Draw	Fuse Size (amps)
140	3" (76mm)	13.6	135	2.9	4
140-24V	3" (76mm)	27.2	135	1.7	2.5
240	4" (102mm)	13.6	235	4.3	7
240-24V	4" (102mm)	27.2	235	2.4	4



Installation drawing

This guide is based on International Standard ISO 11105 for small craft – ventilation of gasoline engine and/or gas tank compartments which specifies minimum airflow for given engine compartment size.

Engine Compartment Volume	Ducting	Type	Voltage	Blower Model
0-75ft³ (0-2m³)	3"	In-Line	12v	140
	3"	In-Line	24v	140-24
75-90ft³ (2-2.5m³)	3"	In-Line	12v	140
	3"	In-Line	24v	140-24
90-220ft³ (2.5-5m³)	4"	In-Line	12v	240
	4"	In-Line	12v	240-24



Marine Sealant Characteristic and Selection Guide

Elastomeric Characteristics	Elastomeric Sealant	Silicone Sealants	Polyurethane Sealants	Polysulfide Sealants
Fast Skinning	X	X		
Fast Curing	X	X		
Above or Below Waterline Use	X		X	X
Useable on All Plastic	X	X		
Paintable	X		X	X
Sandable	X		X	X
3 Year Shelf Life	X	X		
Excellent Adhesion to Metal, Wood, Fiberglass, Plastic	X		X	
Easily Removed	X	X		X
Available in Clear, White and Black	X	X		

Elastomeric Marine Sealant

A one-part, fast skinning (10 minutes) and fast curing (24 hours) multi-purpose marine grade sealant with superior strength, adhesion, elongation and life characteristics. Cures in temperatures of -20°F (-28.9°C) to 120°F (-48.9°C) and can be wet sanded and painted after curing. Flexibility and compression capabilities are excellent. Heavy duty use above or below the waterline. Twists, bends, expands, compresses. Seals ports, beds hardware, stops leaks. Resistant to teak cleaners, oil, diesel fuel and salt water. Adheres tenaciously without primers to fiberglass, glass, plastic, metal and wood. Simple clean up with mineral spirits. Not recommended for wooden deck seams or use in areas subject to gasoline.

Model 300	White	10 fl. oz. (296 ml)	Cartridge
Model 301	Clear	10 fl. oz. (296 ml)	Cartridge
Model 302	Black	10 fl. oz. (296 ml)	Cartridge
Model 320	White	3 fl. oz. (89 ml)	Tube
Model 321	Clear	3 fl. oz. (89 ml)	Tube



Model 300

Model 320

Liquid Elastomeric Penetrating Sealant

Liquid version of Elastomeric Clear Sealant. Low viscosity sealant specially formulated for narrow joints where ordinary sealants cannot reach. Ideal for sealing windshields, portholes, hardware, hatches, vents, and fine deck and cabin seams. Same skinning, curing, adhesive, and performance characteristics as Elastomeric Sealant.

Model 350	Clear	3 fl. oz. (89 ml)	Tube
------------------	-------	-------------------	------



Model 350



Model 412

Model 415

Miracle Coat Boat Wax

Miracle Coat Boat Wax is a premium protective coating that greatly enhances and extends the life of any fiberglass finish. It is effortlessly applied directly to the fiberglass surface. After a brief drying period, the residue is easily removed revealing a brilliant, showroom shine. Miracle Coat is available in two versions - liquid or paste. Either version performs equally well. A non-abrasive, easy on - easy off formula that will provide season long protection and shine.

Model 412	16 fl. oz. (473 ml)	Liquid
Model 415	11 oz. (325 ml)	Paste



Model 413

Model 410

One Step Fiberglass Restorer and Wax

One-Step Fiberglass Restorer & Wax is a heavy duty cleaner and wax that works better than many rubbing compounds without the grueling effort or damaging effects of highly abrasive rubbing compounds. One-Step Fiberglass Restorer & Wax deep cleans and restores color and depth to dirty or oxidized fiberglass or painted finishes. Follow up with a coat of Miracle Coat Boat wax to seal and enhance the lustre and greatly extend the life of the finish.

Model 413	16 fl. oz. (473 ml)	Liquid
Model 410	11 oz. (325 ml)	Paste



Model 840Q

Heavy Duty Fiberglass Powder Cleaner

Heavy duty, scratch-free, all purpose cleaner for fiberglass decks, hulls and transoms. Removes waterline stains, algae, rust, exhaust, oxidation and grime. Reach for Sudbury Heavy Duty Powder Fiberglass Cleaner when liquid cleaners fail. For use with fresh or salt water. 98% biodegradable earth-friendly formula.

Model 840Q	1 lb. 10 oz. (.74 kg)
------------	-----------------------



Hull Cleaner & Stain Remover

Penetrates and instantly removes deep stains, rust and growths from fiberglass and aluminum surfaces with no scrubbing. Contains Oxalic Acid. Strong and effective, but safe to use. New trigger spray allows quick and easy direct application. 100% biodegradable earth-friendly formula.

Model 815Q 32 fl. oz. (946 ml)



Model 815Q

Aqua Fresh!™

For fresh tasting, odor free drinking water from fiberglass, plastic or metal tanks. Simply deposit the contents of these handy packets into water tanks. Absolutely safe and non-toxic. 100% biodegradable earth-friendly formula.

Model 830 Eight 2 oz. (0.6 kg) packets per box



Model 830

Aqua Clear®

For rust free water from potable water tanks. Also for use in automobile radiators, hot water heaters or wherever rusty water is a problem. Forms a microscopic film over all surfaces it touches so that corrosion in metal pipes or tank is controlled. Colorless, odorless, harmless and non-toxic. 100% biodegradable earth-friendly formula.

Model 835Q 32 fl. oz. (946 ml)



Model 835Q



Model 800Q

Automatic® Bilge Cleaner

Heavy duty, concentrated formula for the toughest jobs. Protects hull from costly deterioration. Dissolves, emulsifies and combines grease, oil and scum with bilge water. Automatically reaches the most difficult places with the roll of the boat. Kills bilge odor; saves scrubbing time. 98% biodegradable earth-friendly formula.

- Model 800Q 32 fl. oz. (946 ml)
- Model 800G 128 fl. oz. (3785 ml)
- Model 800FFG 55 gal. (208 l)



Model 805Q

Boat Soap™

The most popular boat cleaner in the world. All-purpose, non-caustic cleaner that works well in fresh or salt, hot or cold water. Removes gull droppings and harbor scum. Great for washing greasy pots, pans, stoves, sinks and dishes. Excellent for washing sails. Leaves surface film free and sparkling clean. 100% biodegradable earth-friendly formula.

- Model 805Q 32 fl. oz. (946 ml)
- Model 805G 128 fl. oz. (3785 ml)
- Model 805FFG 55 gal. (208 l)



Model 810Q

Boat Soap™ Plus

Heavy duty, works like powders without the abrasion. Double-action emulsification removes scum, smudges, oil and grease. Ideal for fiberglass. Will not damage finish or gelcoat surfaces. Not for use on sails or fabrics. 100% biodegradable earth-friendly formula.

- Model 810Q 32 fl. oz. (946 ml)
- Model 810G 128 fl. oz. (3785 ml)



Spray-All™

Spray-All™ is a highly effective, all-purpose cleaner that whisks away black streaks, grease, oxidation and rust from all marine surfaces. Eliminates tough stains on fiberglass, vinyl, fenders, formica and canvas. Its uses are limited only by your imagination. Trigger spray top makes Spray-All™ easy and convenient to use. A must for every boater. 100% biodegradable earth-friendly formula.

Model 845Q 32 fl. oz. (946 ml)



Model 845Q

Mildew Cleaner & Stain Remover

Fantastic mildew cleaner and stain remover. Only double-action mildew product for boaters. Not only removes ugly mildew stains, but also cleans and restores soiled areas. Great on all mildew prone areas - showers, cushions, covers, galleys, etc. Fast acting spray on, wipe off formula. 100% biodegradable earth-friendly formula.

Model 850Q 32 fl. oz. (946 ml)



Model 850Q

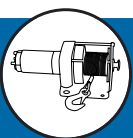
Marine Toilet Conditioner

Cleans, lubricates and deodorizes. Keeps all parts of the marine toilet clean and in efficient working condition. Contains a special non-mineral oil that will not harm leather, rubber or fittings. Conditions by impregnating and lubricating all parts. Eliminates rather than masks odors. Non-caustic. For use with fresh or salt water. 95% biodegradable earth-friendly formula.

Model 825Q 32 fl. oz. (946 ml)



Model 825Q



Model Key:

- T = Trailer Winch
25' (7.6m) positive lead
- V = Vehicle Winch
5' (1.5m) positive lead
- R = Remote Control
- S = Non-free wheeling
- E = Extended drum for longer cable
- SS = Stainless Steel Drum

Electric Winches

Rule's Electric Winch product line comprises a broad range of high quality and reliable winches. Unique features include 3-stage planetary gears for greater pulling speed, power-in, power-out for consistent load control; corrosion resistant die cast drums and lifetime lubrication. Each winch is shipped with the cable assembly including hook, controls, and all electrical hardware necessary for battery hook-up and mounting hardware. Each Series denotes the rated stall in pounds for the series.



Model V14S

1400 Series - 1400 lbs. (635 kg) capacity

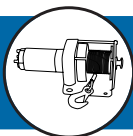
Model	Volts (DC)	Remote Control	Free Wheel	Cable	Weight (lbs/kg)
14S	12			None	12 (5.4)
T14	12		●	5/32" x 25' (4mm x 7.6m)	20 (9.1)
T14R	12	●	●	5/32" x 25' (4mm x 7.6m)	25 (11.3)
T14S	12			5/32" x 25' (4mm x 7.6m)	19 (8.6)
T14S-SS	12			5/32" x 25' (4mm x 7.6m)	19 (8.6)
T14SR	12	●		5/32" x 25' (4mm x 7.6m)	24 (10.8)
V14	12		●	5/32" x 50' (4mm x 15.2m)	20 (9.1)
V14S	12			5/32" x 25' (4mm x 7.6m)	18 (8.2)
V14R	12	●	●	5/32" x 50' (4mm x 15.2m)	25 (11.3)
V14SR	12	●		5/32" x 25' (4mm x 7.6m)	24 (10.8)



Model T16

1600 Series - 1600 lbs. (726 kg) capacity

Model	Volts (DC)	Remote Control	Free Wheel	Cable	Weight (lbs/kg)
16S	24			None	12 (5.4)
T16	24		●	5/32" x 25' (4.0mm x 7.6m)	20 (9.1)
T16R	24	●	●	5/32" x 25' (4.0mm x 7.6m)	25 (11.3)
T16S	24			5/32" x 25' (4.0mm x 7.6m)	20 (9.1)
T16S-SS	24			5/32" x 25' (4.0mm x 7.6m)	20 (9.1)
T16SR	24	●		5/32" x 25' (4.0mm x 7.6m)	25 (11.3)
V16	24		●	5/32" x 50' (4.0mm x 15.2m)	20 (9.1)
V16S	24			5/32" x 25' (4.0mm x 7.6m)	23 (10.4)
V16R	24	●	●	5/32" x 25' (4.0mm x 7.6m)	18 (8.2)
V16SR	24	●		5/32" x 25' (4.0mm x 7.6m)	25 (11.3)



2000 Series - 2000 lbs. (907 kg) capacity

Model	Volts (DC)	Remote Control	Free Wheel	Cable	Weight (lbs/kg)
T0S	12			None	14 (6.4)
T20	12		●	3/16" x 25' (4.8mm x 7.6m)	12 (5.4)
T20-24V	24		●	7/32" x 50' (5.6mm x 15.2m)	21 (9.5)
T20R	12	●	●	3/16" x 25' (4.8mm x 7.6m)	27 (12.2)
T20S	12			3/16" x 25' (4.8mm x 7.6m)	24 (10.9)
T20S-SS	12			3/16" x 25' (4.8mm x 7.6m)	18 (8.2)
T20SR	12	●		3/16" x 25' (4.8mm x 7.6m)	23 (10.4)
T20R-24V	24	●	●	3/16" x 25' (4.8mm x 7.6m)	26 (11.8)
T20S-24V	24			7/32" x 50' (5.6mm x 15.2m)	20 (9.1)
T20SR-24V	24	●		3/16" x 25' (4.8mm x 7.6m)	24 (10.9)
V20	12		●	3/16" x 50' (4.8mm x 15.2m)	22 (10.0)
V20S	12			3/16" x 25' (4.8mm x 7.6m)	18 (8.2)
V20R	12	●	●	3/16" x 50' (4.8mm x 15.2m)	25 (11.3)
V20SR	12	●		3/16" x 25' (4.8mm x 7.6m)	23 (10.4)
V20-24V	24		●	7/32" x 50' (5.6mm x 15.2m)	23 (10.4)
V20S-24V	24			3/16" x 25' (4.8mm x 7.6m)	20 (9.1)
V20R-24V	24	●	●	7/32" x 50' (5.6mm x 15.2m)	28 (12.7)
V20RE-24V	24	●	●	7/32" x 100' (5.6mm x 30.5m)	36 (16.3)



Model T20S

2500 Series - 2500 lbs. (1134 kg) capacity

Model	Volts (DC)	Remote Control	Free Wheel	Cable	Weight (lbs/kg)
T25	12		●	3/16" x 25' (4.8mm x 7.6m)	31 (14.1)
T25R	12	●	●	3/16" x 25' (4.8mm x 7.6m)	36 (16.3)
T25SR	12	●		3/16" x 25' (4.8mm x 7.6m)	35 (15.9)
T25S	12			3/16" x 25' (4.8mm x 7.6m)	28 (12.7)



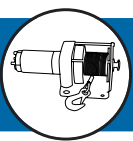
Model T25

3300 Series - 3300 lbs. (1497 kg) capacity

Model	Volts (DC)	Remote Control	Free Wheel	Cable (inches/mm)	Weight (lbs/kg)
33S	12			None	20 (9.1)
T33	12		●	7/32" x 50' (5.6mm x 15.2m)	31 (14.1)
T33R	12	●	●	3/16" x 25' (4.8mm x 7.6m)	36 (16.3)
T33S	12			3/16" x 25' (4.8mm x 7.6m)	28 (12.7)
T33SR	12	●		7/32" x 50' (5.6 mmx 15.2m)	33 (15.0)
V33	12		●	7/32" x 50' (5.6mm x 15.2m)	29 (13.2)
V33S	12			3/16" x 25' (4.8mm x 7.6m)	27 (12.2)
V33R	12	●	●	7/32" x 50' (5.6mm x 15.2m)	34 (15.4)
V33RE	12	●	●	7/32" x 100' (5.6mm x 30.5m)	39 (17.7)
V33SR	12	●		3/16" x 25' (4.8mm x 7.6m)	32 (14.5)
V33E	12		●	7/32" x 100' (5.6mm x 30.5m)	34 (15.4)



Model V33R



Model T42

4200 Series - 4200 lbs. (1905 kg) capacity

Model	Volts (DC)	Remote Control	Free Wheel	Cable	Weight (lbs/kg)
T42	12		●	7/32" x 50' (5.6mm x 15.2m)	32 (14.5)
T42R	12	●	●	7/32" x 50' (5.6mm x 15.2m)	35 (16.0)
T42SR	12	●		7/32" x 50' (5.6mm x 15.2m)	35 (16.0)
T42S	12			7/32" x 50' (5.6mm x 15.2m)	31 (14.1)
V42	12		●	7/32" x 50' (5.6mm x 15.2m)	30 (13.6)
V42R	12	●	●	7/32" x 50' (5.6mm x 15.2m)	35 (16.0)
V42RE	12	●	●	7/32" x 100' (5.6mm x 30.5m)	45 (20.4)
V42E	12		●	7/32" x 100' (5.6mm x 30.5m)	35 (16.0)
V42SR	12	●		7/32" x 50' (5.6mm x 15.2m)	34 (15.4)
V42S	12			7/32" x 50' (5.6mm x 15.2m)	29 (13.2)



Model V50

5000 Series - 5000 lbs. (2268 kg) capacity

Model	Volts (DC)	Remote Control	Free Wheel	Cable	Weight (lbs/kg)
T50	24		●	1/4" x 45' (6.4mm x 13.7m)	32 (14.5)
T50R	24	●	●	1/4" x 45' (6.4mm x 13.7m)	37 (16.8)
V50	24		●	1/4" x 45' (6.4mm x 13.7m)	30 (13.6)
V50E	24		●	1/4" x 90' (6.4mm x 27.4m)	40 (18.1)
V50R	24	●	●	1/4" x 45' (6.4mm x 13.7m)	35 (16.0)
V50RE	24	●	●	1/4" x 90' (6.4mm x 27.4m)	45 (20.4)
V50SR	24	●		1/4" x 45' (6.4mm x 13.7m)	34 (15.4)



Model V60RE

6000 Series - 6000 lbs. (2722 kg) capacity

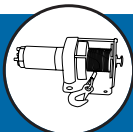
Model	Volts (DC)	Remote Control	Free Wheel	Cable	Weight (lbs/kg)
T60R	12	●	●	1/4" x 45' (6.4mm x 13.7m)	39 (17.7)
T60RE	12	●	●	1/4" x 90' (6.4mm x 27.4m)	52 (23.6)
V60RE	12	●	●	1/4" x 90' (6.4mm x 27.4m)	49 (22.2)
V60R	12	●	●	1/4" x 45' (6.4mm x 13.7m)	39 (17.7)
V60SR	12	●		1/4" x 45' (6.4mm x 13.7m)	38 (17.2)



Model T84RE

8400 Series - 8400 lbs. (3810 kg) capacity

Model	Volts (DC)	Remote Control	Free Wheel	Cable	Weight (lbs/kg)
T84R	12	●	●	5/16" x 30' (8mm x 9.1m)	42 (19.1)
T84RE	12	●	●	5/16" x 60' (8mm x 18.3m)	53 (24.0)
V84R	12	●	●	5/16" x 30' (8mm x 9.1m)	42 (19.1)
V84RE	12	●	●	5/16" x 60' (8mm x 18.3m)	49 (22.2)



Gasoline Powered Winch

The G1800E gas powered winch offers “go anywhere” pulling power to a variety of users with countless applications for rescue workers, hunters, boatyard workers, off road vehicles and anyone needing a strong dependable winch in a tough to reach spot.

- Totally Redesigned
- Powered by Dependable Echo® Power Head
- Portable, Go-Anywhere Pulling Power
- Exclusive “Rapid-Reply” Starter System
- Hauls up to 1800 lbs (817 kg) Single Line, 3500 lbs (1588 kg) with Pulley Block
- Multiple Uses for Hunters and Sportsmen
- Applications for Rescue Workers, Line Pullers, Loggers

SPECIFICATIONS

- Weight:** 32 lbs (14.5 kg) including cable
- Drum Cable:** 75' x 3/16" (22.9m x 4.8mm) aircraft cable.
Replacement Part #G240
- Tie Down Strap Included:** 2" x 6' (51mm x 1.8m) with 2 hooks #W-132
- Power Head:** 1.83 cubic inch (29990 cubic mm)
ECHO® CSW-3000 Type 1-E.
- Replacement Part:** #WA-1463

REDUCTION RATIOS

- Engine to Gear Input:** 2.29:1
- Gearbox Ratio:** 115:1
- Total Ratio:** 263:1
- Drum RPM:** 30

DIMENSIONS

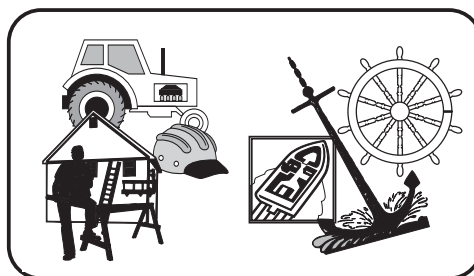
- Length:** 18-1/2" (470mm)
- Width:** 10-1/2" (267mm)
- Height:** 9-1/2" (241mm)

LINE SPEED/PULLING PERFORMANCE

	Single Line	Double Line
Average Line Speed with no load	32 feet per minute (9.8 meters per minute)	16 feet per minute (4.9 meters per minute)
Actual Pulling Power	1800 lbs (817 kg)	3500 lbs (1588 kg)

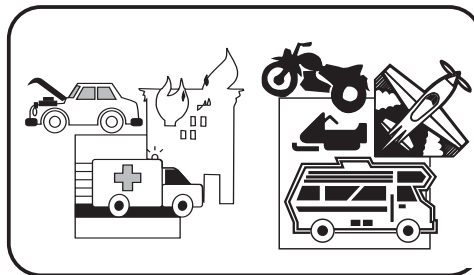


Model G1800E



Utility Workers

Boatyards



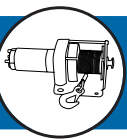
Rescue Workers

Recreation



Forestry Landscaping

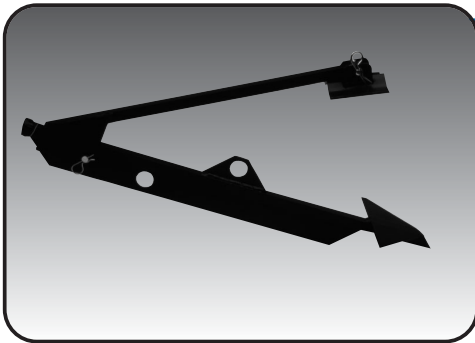
Hunting



Model W-132

Nylon Tie Down/Carry Strap

Model W-132 (Included with gas winch) 2" x 6' (51mm X 1.8m)



Model G220

Ground Anchor

Model G220 24" x 17" (610mm x 432mm)



Model G247

Cable Tie Down

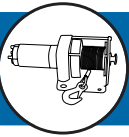
Model G247 Cable Tie Down with 2 Hooks
5/16" x 6' (7.9mm x 1.8m)



Model W-137

Extension Cable

Model W-137 Extension Cable with 1 Hook
1/4" x 50' (6.4mm x 15.2m)



Pulley Block

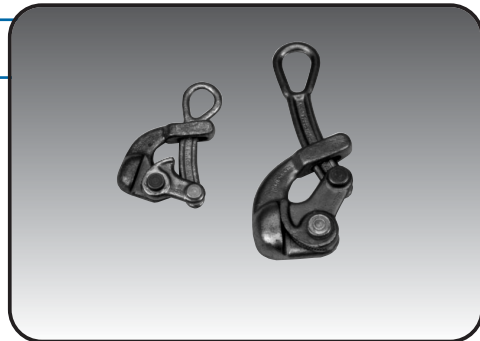
Model W-131C Pulley Block



Model W-131C

Cable Pulling Clamps

Model G230 pulls 1/16" (1.6mm) to 1/4" (6.4mm) cable
Model G231 pulls 1/8" (3.2mm) to 1/2" (12.7mm) cable



Model G230

Model G231

Fuel Bottle With Spout

Model W-140 32 fl. oz. (946 ml)



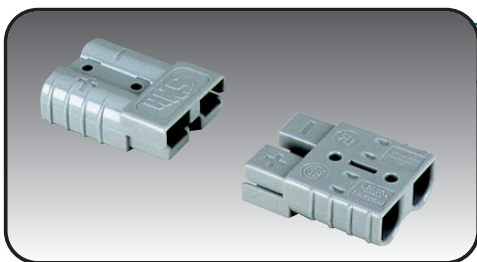
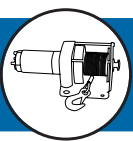
Model W-140

Nylon Tow Strap

Model W-133 2" x 6' (51mm x 1.8m)
Model W-135 2" x 30' (51mm x 9.1m)



Model W-133



Model W-118

Cable Disconnect Kits

Especially useful in trailer applications. Heavy duty plastic with silver coated connectors allows user to connect or disconnect both battery cables at the hitch area.

Model W-118PK For Rule 1400, 1600, 2000, 2500, 3300, and 4200 series winches accommodates 6 (4.1mm) 8 (3.3mm), 10 (2.6mm), 12 (2mm) gauge cables

Model W-119PK For Rule 6000 and 8400 series winches
Accommodates 1 - 4 (7.3 - 5.2mm) gauge cables



Model W-138PK

Winch Covers

Attractive cover protects winches from weather

Model W-139 For standard drum models

Model W-138 For extended drum models (E suffix)



Model W-120

Remote Location Rotary Switch Kit

Allows rotary switch on winch to be moved to a remote station. Includes two 10' (3.1m) cables and switch plate.

Model W-120 For Rule 1400, 1600, 2000, 2500, 3300, and 4200 series winches accommodates 6 (4.1mm) 8 (3.3mm), 10 (2.6mm), 12 (2mm) gauge cables



Model W-121

Remote Control Kits

Converts from motor switch control to solenoid control. Includes solenoid control box, remote control handle with 10' (3.1m) cord, two 2.5' (.76m) control box to winch leads, plus wiring harness which connects control box to battery.

Model W-121 For 12 volt vehicle winches

Model W-121-24V For 24 volt vehicle winches

Wiring harness for vehicle winches includes 5' (1.5m) battery lead and 5' (1.5m) ground lead.

Model W-123 For 12 volt trailer winches

Model W-123-24V For 24 volt trailer winches

Wiring harness for trailer winches includes 25' (7.6m) battery lead and 8' (2.4m) ground lead.



Model W-197

Roller Fairlead Kits

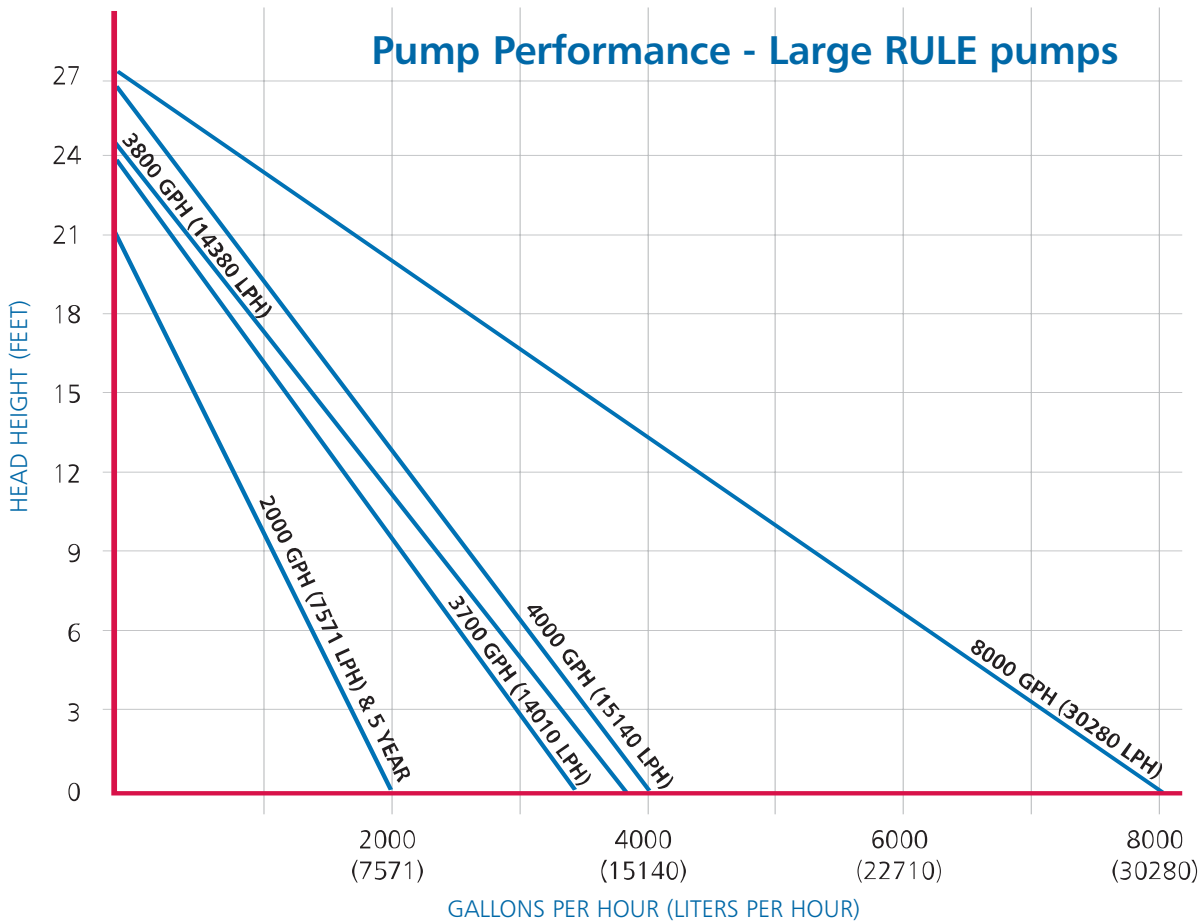
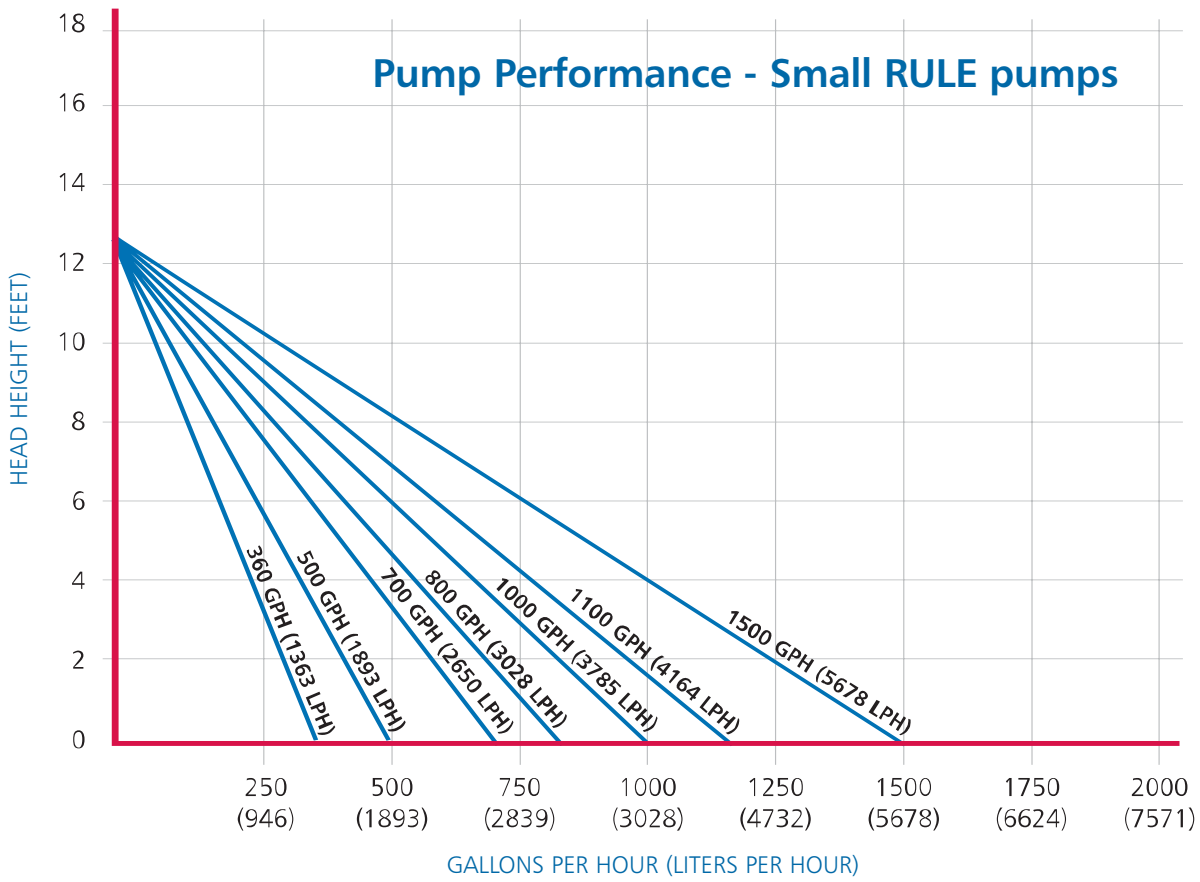
Reduce cable wear when winching at severe angles

Model W-197 For standard drum winches

Model W-198 For extended drum winches (E suffix)



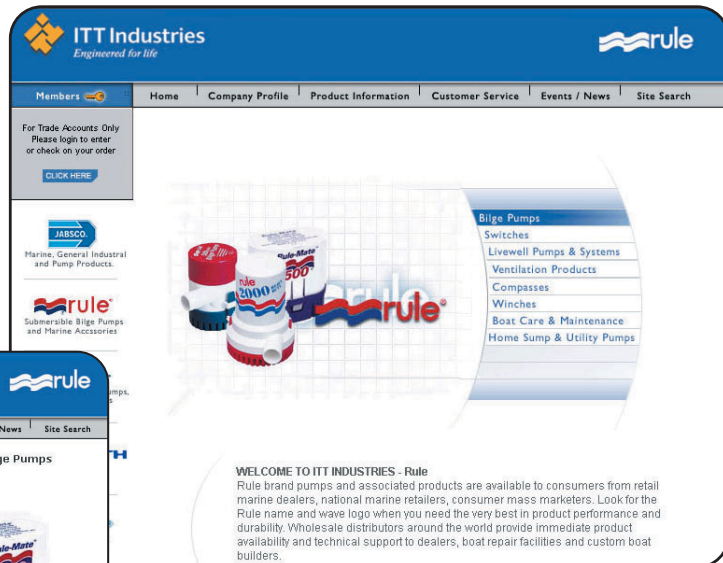
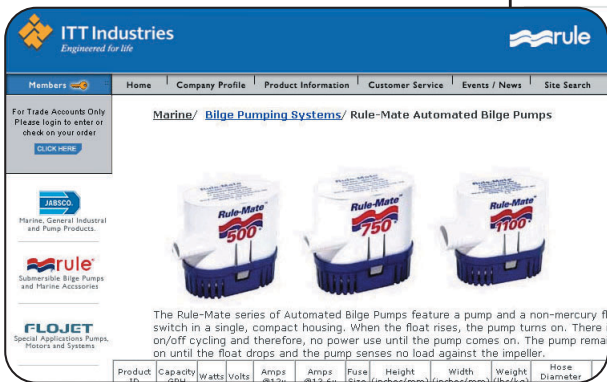
Pumps - Bilge Performance Curves



Discover Rule on the World Wide Web

The Rule Worldwide Web Site:

Find comprehensive details on all our products including their technical specifications, plus links to our sister companies, Jabsco and Flojet. The site gives you 24 hour access to all the information you need, faster, cheaper and at a time that suits you.



Comprehensive Details:

- Comprehensive Search facility to speed up location of the required product.
- Get full technical data by clicking through the links for each category and product area.
- Many exploded diagrams are available to assist in identifying parts.
- Allows your customers the option to view data at the same time, helping to correctly identify the required item.
- All technical data sheets in PDF format for downloading.



Web Site



Pumps



Switches



Compasses



In-Line Blowers



Boat Care



Winches

Rule



ITT Industries

Engineered for life

Rule,

Rule Industries, Cape Ann Industrial Park, Gloucester, MA 01930

USA

Tel: +1 978 281 0440 Fax: +1 978 283 2619

Jabsco,

Bingley Road, Hoddesdon, Hertfordshire EN11 0BU

UK

Tel: +44 (0) 1992 450 145 Fax: +44 (0) 1992 467 132

Fluid Products Canada,

55 Royal Road, Guelph, Ontario N1H 1T1

CANADA

Tel: +1 519 821 1900 Fax: +1 519 821 2569

NHK Jabsco Co Ltd,

3-21-10, Shin-Yokohama, Kohoku-ku, Yokohama 222

JAPAN

Tel: +81 (0) 45 475 8906 Fax: +81 (0) 45 475 8908

Jabsco GmbH,

Oststraße 28, 22844 Norderstedt

GERMANY

Tel: +49 (0) 40 53 53 73 0 Fax: +49 (0) 40 53 53 73 11

Discover Rule at www.rule-industries.com

Local Rule Distributor

Warranty: All products of the company are sold and all services of the company are offered subject to the company's warranty and terms and conditions of sale, copies of which will be furnished upon request