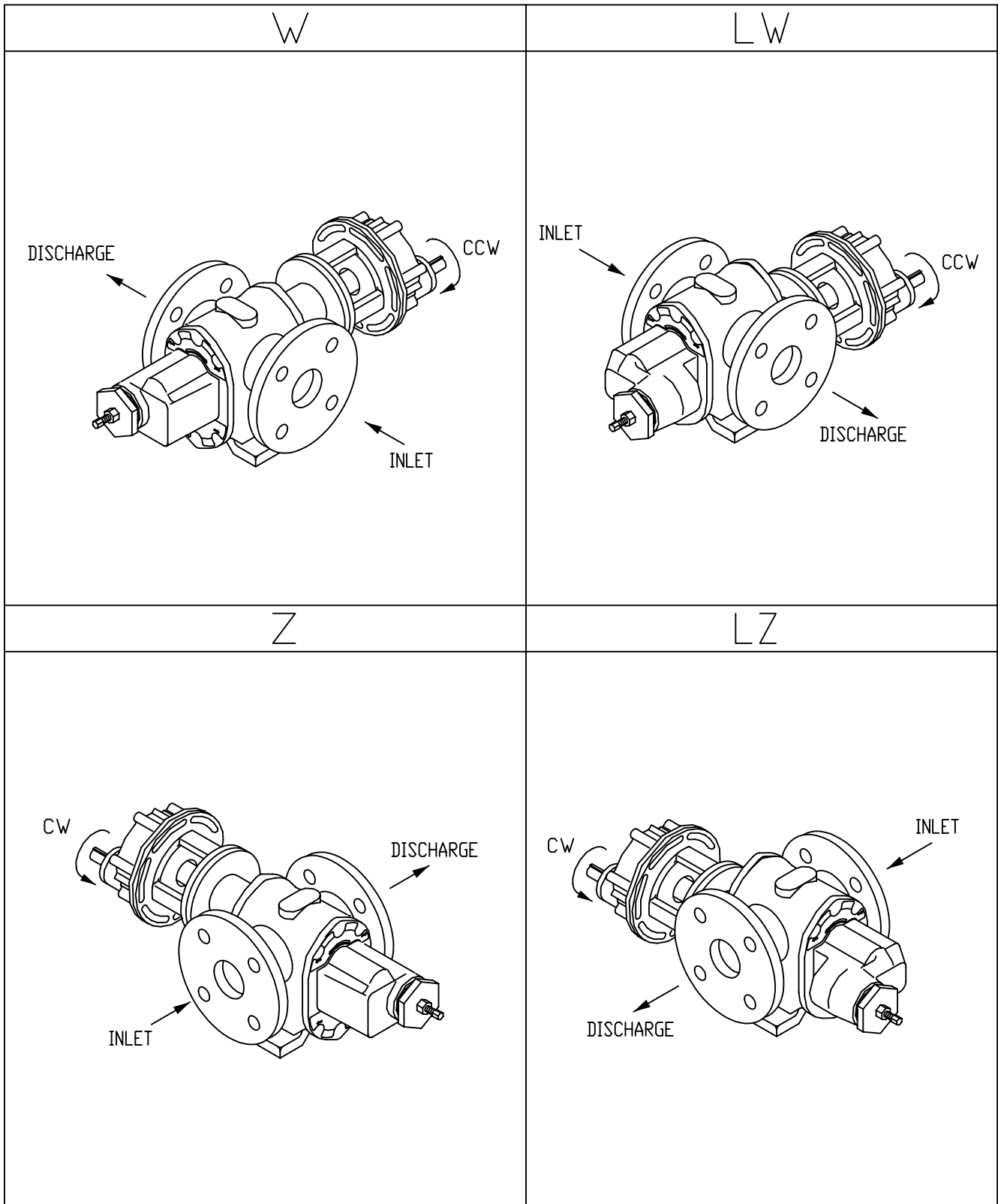


DIRECTION OF ROTATION FOR Z11 TO Z22 RX4ANH & RX4ABH PUMP USING RELIEF VALVE



DIRECTION OF ROTATION FOR Z11RX4A0G TO Z22RX4A0G PUMP USING RELIEF VALVE