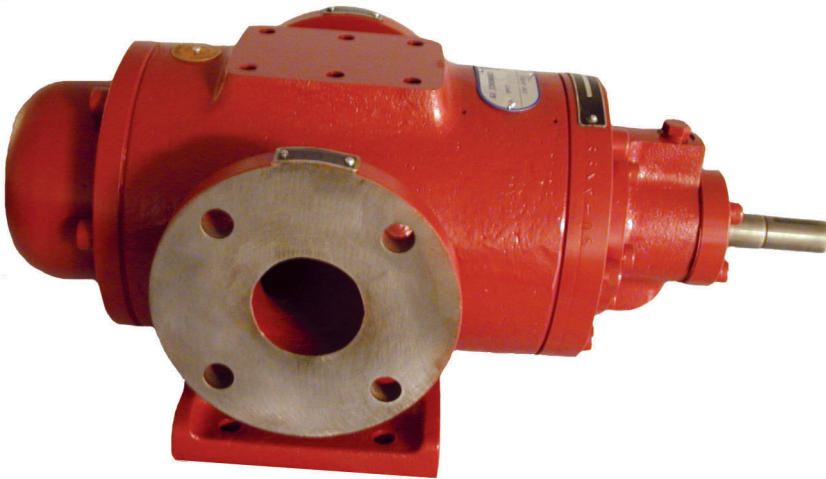


Roper Pumps

D

Series



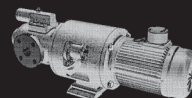
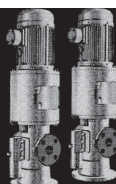
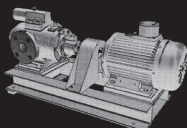
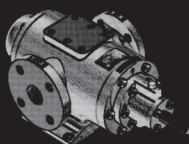
Triple-Screw Pumps



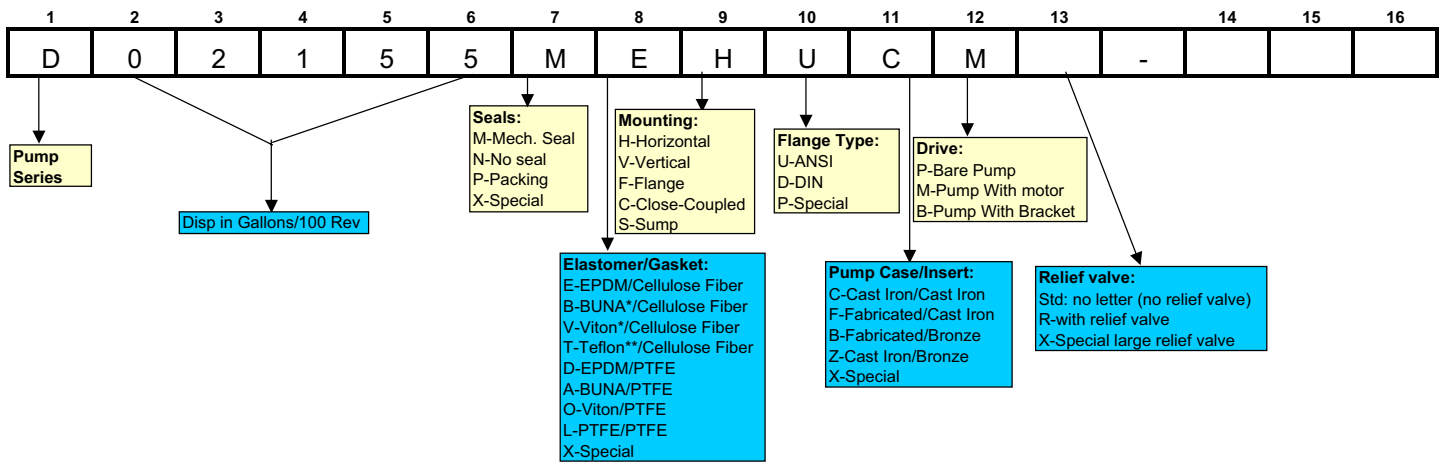
The leading force behind liquids.

Industries & Applications

- Power Plants
- Ship building / Marine
- Refineries & Oil Drilling
- Petrochemical / Fertilizer
- Steel Plants
- Rayon / Viscose
- Pharmaceutical / Food
- Lube & Seal Oil and Fuel oil transfer and firing pumps for equipment
- Hydraulic Pumps
- Pumps for handling viscose
- Petroleum jelly and creams
- Paper Mills



Screw Pump Coding

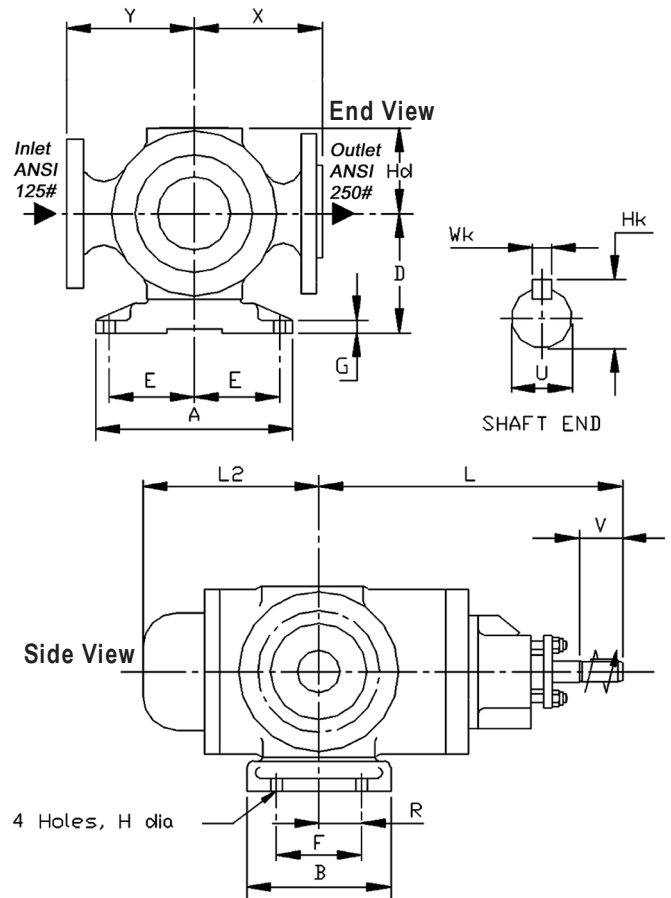


* BUNA and Viton are registered trademarks of Dupont Dow Elastomers.
 ** Teflon is a registered trademark of E.I. DuPont de Nemours Co., Inc.

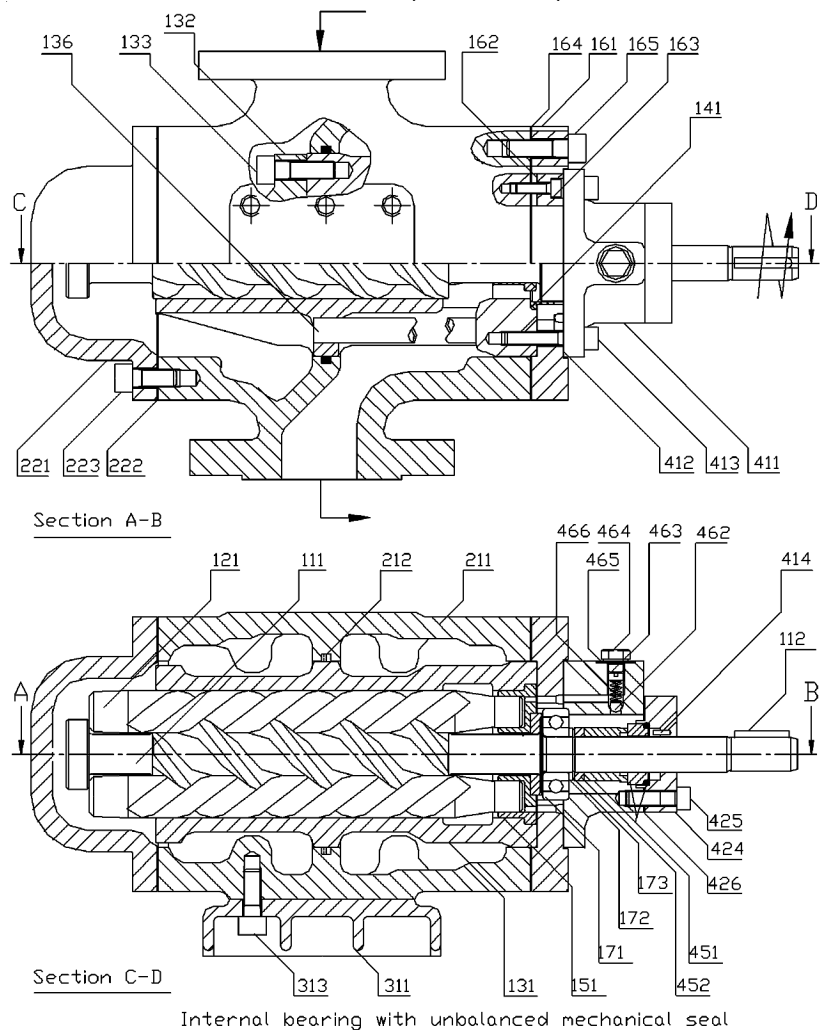
Model #	Screw Displacement Gal/rev	Screw Displacement L/rev	Max Flow GPM	Max Flow L/min	Max Speed	ANSI 125# Inlet (inches)	ANSI 250# Outlet (inches)
D00185	0.00185	0.0070	7	25	3600	1.25	1
D00369	0.00369	0.0140	13	50			
D00492	0.00492	0.0186	18	67			
D00608	0.00608	0.0230	22	83	3600	2	1.5
D00757	0.00757	0.0287	27	103			
D00811	0.00811	0.0307	29	111			
D01014	0.01014	0.0382	37	138			
D01059	0.01059	0.0401	38	144			
D01077	0.01077	0.0408	39	147			
D01211	0.01211	0.0458	44	165			
D01513	0.01513	0.0571	55	206	3600	3	2.5
D01967	0.01967	0.0745	71	268			
D02155	0.02155	0.0813	78	294			
D03147	0.03147	0.1192	113	428			
D03934	0.03934	0.1487	142	537			
D04618	0.04618	0.1748	166	628	3600	5	4
D05773	0.05773	0.2184	208	787			
D06053	0.06053	0.2291	218	825			
D06488	0.06488	0.2456	234	886			
D07264	0.07264	0.2749	262	992			
D08110	0.08110	0.3069	278	1052			
D09685	0.09685	0.3664	349	1321	3600	8	6
D12106	0.12106	0.4584	363	1374	3000		
D13789	0.13789	0.5219	460	1741	3333		
D17237	0.17237	0.6526	460	1741	2667		
D18916	0.18916	0.7160	567	2146	3000		
D21280	0.21280	0.8054	567	2146	2667		
D23644	0.23644	0.8948	567	2146	2400		
D25177	0.25177	0.9529	687	2600	2727		
D31471	0.31471	1.1912	687	2600	2182		
D41563	0.41563	1.5732	887	3357	2133		
D51904	0.51904	1.9646	1112	4209	2143		
D77478	0.77478	2.9325	1453	5500	1875		
D96848	0.96848	3.6657	1453	5500	1500		

* Note: For all other displacements and size ranges, consult factory. Non-standard sizes are available for special flows and pressures or when special engineered pumps are specified.

Symbol	PUMP MODELS											
	D00185		D00608		D01967		D04618		D13789		D41563	
	D00369	D00757	D02155	D05773	D17237	D51904						
	D00492	D00811	D03147	D06053	D18916	D77478						
		D01014	D03934	D06488	D21280	D96848						
		D01059		D07264	D23644							
		D01077		D08110	D25177							
		D01211		D09685	D31471							
		D01513		D12106								
	mm	in	mm	in	mm	in	mm	in	mm	in	mm	in
A	130	5.12	185	7.28	210	8.27	320	12.60	420	16.54	540	21.26
B	75	2.95	135	5.31	190	7.48	300	11.81	425	16.73	660	25.98
D	100	3.94	112	4.41	160	6.30	225	8.86	280	11.02	400	15.75
E	57.5	2.26	80	3.15	90	3.54	135	5.31	180	7.09	225	8.86
F	50	1.97	80	3.15	140	5.51	210	8.27	300	11.81	520	20.47
G	10	0.39	12	0.47	16	0.63	20	0.79	25	0.98	36	1.42
H	7	0.28	11	0.43	14	0.55	22	0.87	26	1.02	36	1.42
Hd	71	2.80	80	3.15	112	4.41	160	6.30	200	7.87	280	11.02
Hk	16	0.63	21.5	0.85	31	1.22	41	1.61	59	2.32	85	3.35
L	210	8.27	285	11.22	355	13.98	490	19.29	650	25.59	900	35.43
L2	130	5.12	165	6.50	240	9.45	325	12.80	460	18.11	670	26.38
R	25	0.98	40	1.57	70	2.76	105	4.13	150	5.91	260	10.24
U	14	0.55	19	0.75	28	1.10	38	1.50	55	2.17	80	3.15
V	30	1.18	40	1.57	60	2.36	80	3.15	110	4.33	170	6.69
Wk	5	0.20	6	0.24	8	0.31	10	0.39	16	0.63	22	0.87
X	100	3.94	120	4.72	150	5.91	190	7.48	250	9.84	340	13.39
Y	100	3.94	120	4.72	150	5.91	190	7.48	250	9.84	340	13.39
Inlet	-	1.25	-	2.00	-	3.00	-	5.00	-	8.00	-	12.00
Outlet	-	1.00	-	1.50	-	2.50	-	4.00	-	6.00	-	10.00



Qty	Item	Description
1	111	Power screw
1	112	Power screw key
2	121	Idle screw
1	131	Insert
1	132	Insert extension
4	133	Fastener
1	136	Balancing pipe
1	141	PS balancing bush
2	151	IS balancing bush
1	161	Front end plate
1	162	Gasket
2	163	Fastener
1	164	Gasket
6	165	Fastener
1	171	Internal bearing
1	172	Bearing seat
1	173	Circlip
1	211	Casing
1	212	O-ring
1	221	Far end cover / skirt base
1	222	Gasket
6	223	Fastener
1	311	Base
6	313	Fastener
1	411	Seal housing
1	412	Gasket
6	413	Fastener
1	414	Anti-rotation pin
1	424	Gland plate
4	425	Fastener
1	426	Gasket
1	451	Mechanical seal
1	452	Spacer
1	462	PCV ball
1	463	PCV adjuster
1	464	PCV plug
1	465	PCV washer
1	466	PCV spring





Roper Pump Company
 P.O. Box 269 • Commerce, GA 30529
 Toll Free: 1-800-876-9160 • Fax: 706-335-5490
 e-mail: sales@roperpumps.com

Visit Us On The WorldWide Web
www.roperpumps.com

D Series

Pump Model	Flow Range	Temp Range	Inlet Pressure	Maximum Discharge Pressure	Viscosity Range
D (Standard)	up to 1453 GPM up to 5500 L/min	-4 to 266°F -20 to 130°C	-11.6 to 87 PSIG -0.8 to 6 Bar(g)	500 PSIG 34 Bar(g)	2 to 3300 cSt
D (Special)	up to 1453 GPM up to 5500 L/min	-40 to 500°F -40 to 260°C	-11.6 to 928 PSIG -0.8 to 64 Bar(g)	928 PSIG 64 Bar(g)	0.8 to 100,000 cSt

Materials of Construction

Pump Type	Housing	Screws	Cartridge Assembly	Gasket
Standard	Cast Iron	Nitrided Chrome-Alloy Steel	Cast iron	Cellulose Plant Fiber
Options	Fabricated Steel		Bronze	PTFE

* For custom designs, please consult factory.

Key Features – Benefits that Reduce Life Cycle Costs

• Maximize Reliability of System to Increase Revenue

- Pumps deliver smooth flows with minimum pulsations
- Hydraulically balanced screws

• Lower Maintenance Costs by up to 50%

- Pumping elements contained in one cartridge assembly
- Fast, easy replacement of parts
- Reduced overhaul turnaround time
- No timing gears required and fewer wearable parts
- One or no bearings required and fewer parts to replace

• Versatility to Meet Customer Specifications

- Custom designed fabricated pump and per API standards
- A choice of shaft seals for every application
- Mounting configurations to fit in any space limitation:
Horizontal, Vertical, Close-Coupled, Sump
- In-line construction enables simplified piping arrangements.
- ANSI or DIN flanges
- One pump size designed to offer flexibility in flow

