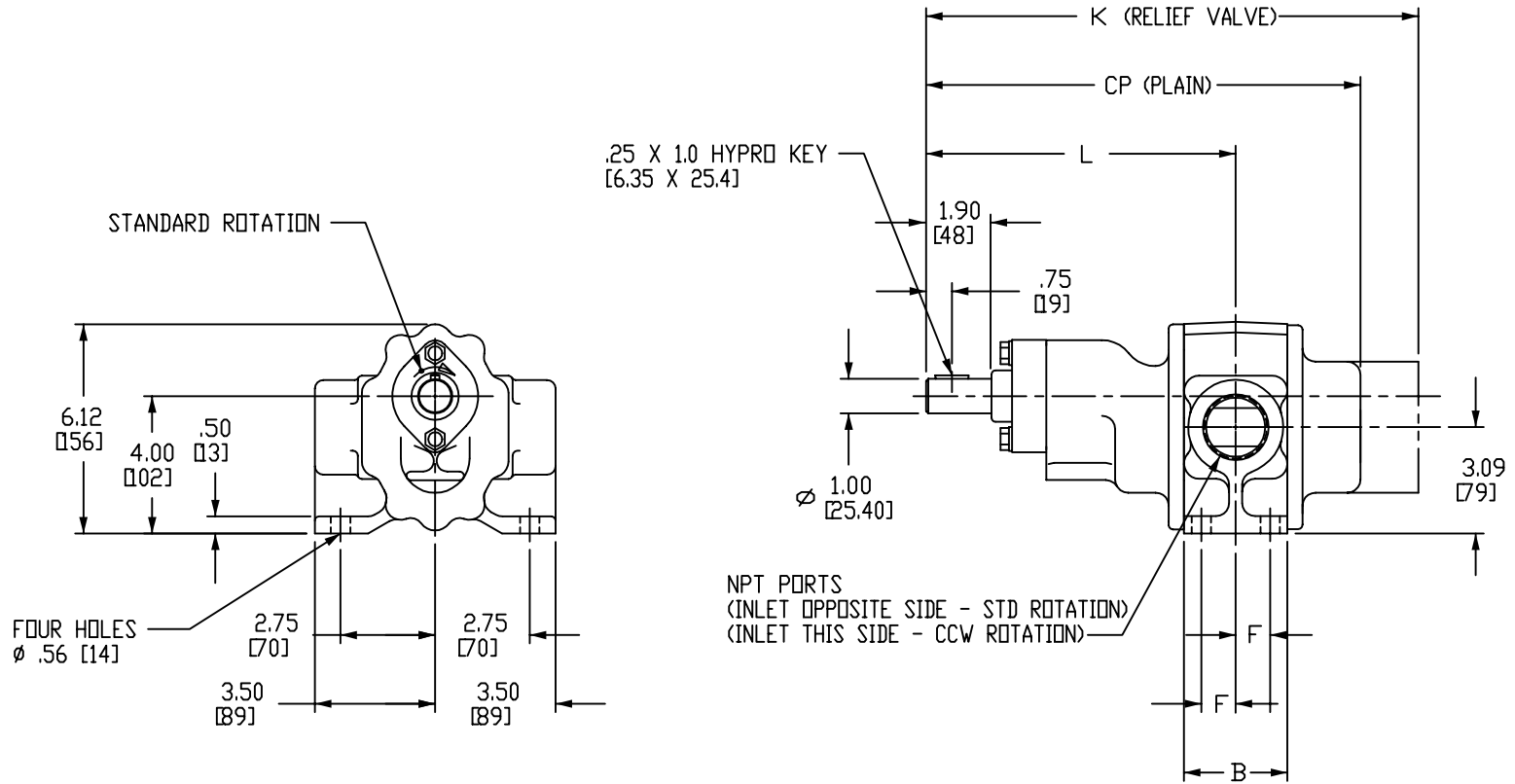


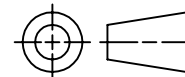
1 & 2 AE 19-29



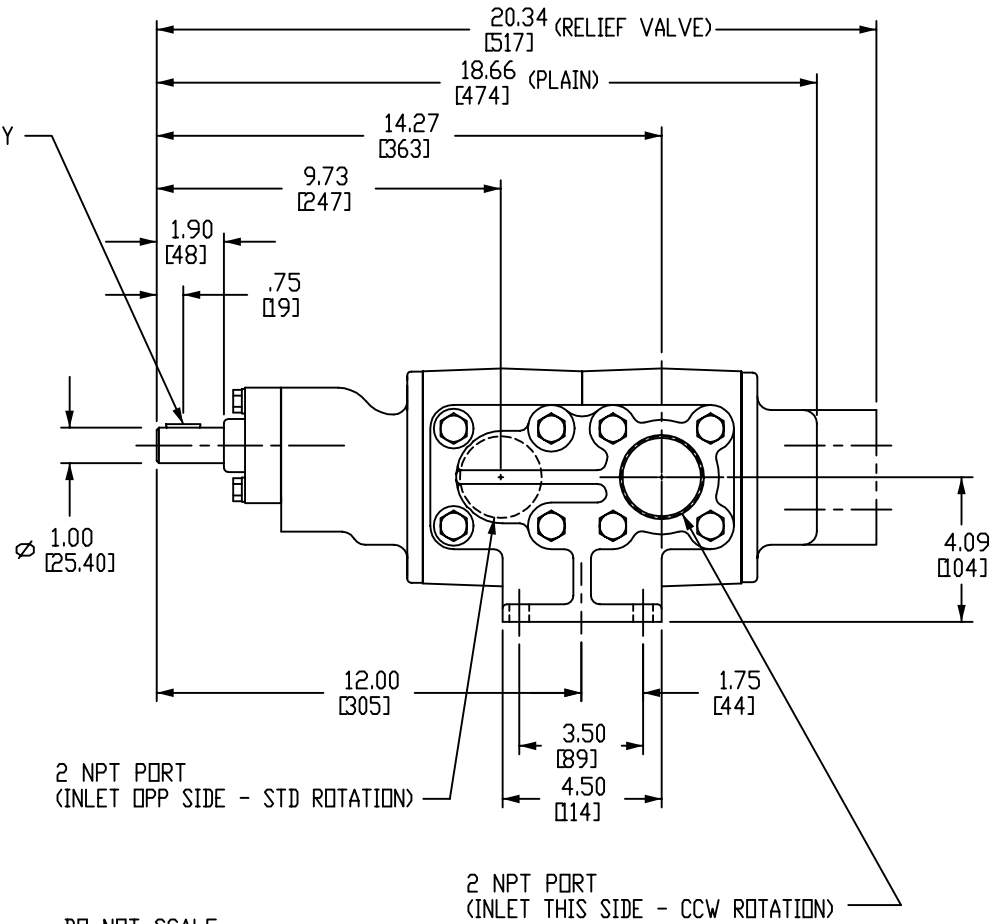
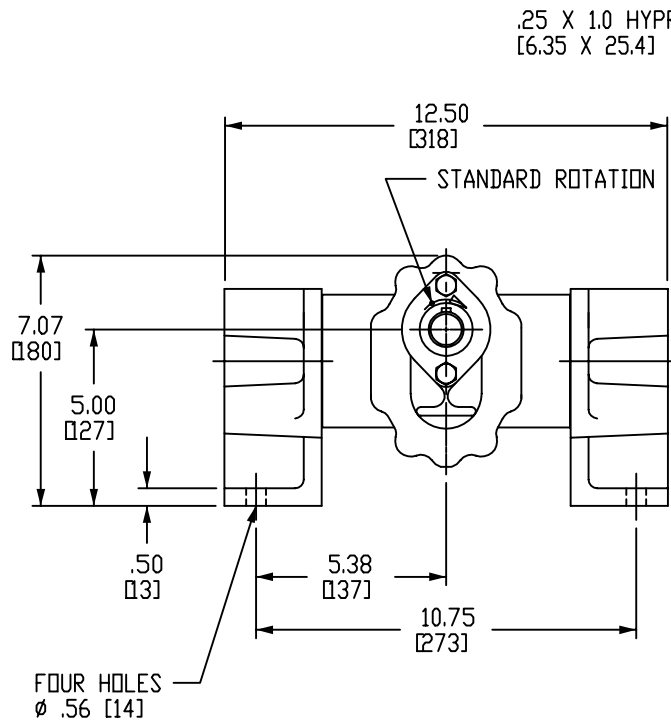
PUMP	B	CP	F	K	L	PORTS
19	3.00 [76]	12.62 [321]	1.00 [25]	14.31 [364]	9.00 [229]	1-1/2"
29	4.50 [114]	14.12 [359]	1.75 [44]	15.81 [402]	9.75 [248]	2"

DO NOT SCALE  
DIMS IN INCHES [MM]

PROJECTION



1 & 2 AE 54



DO NOT SCALE  
DIMS IN INCHES [MM]

PROJECTION

