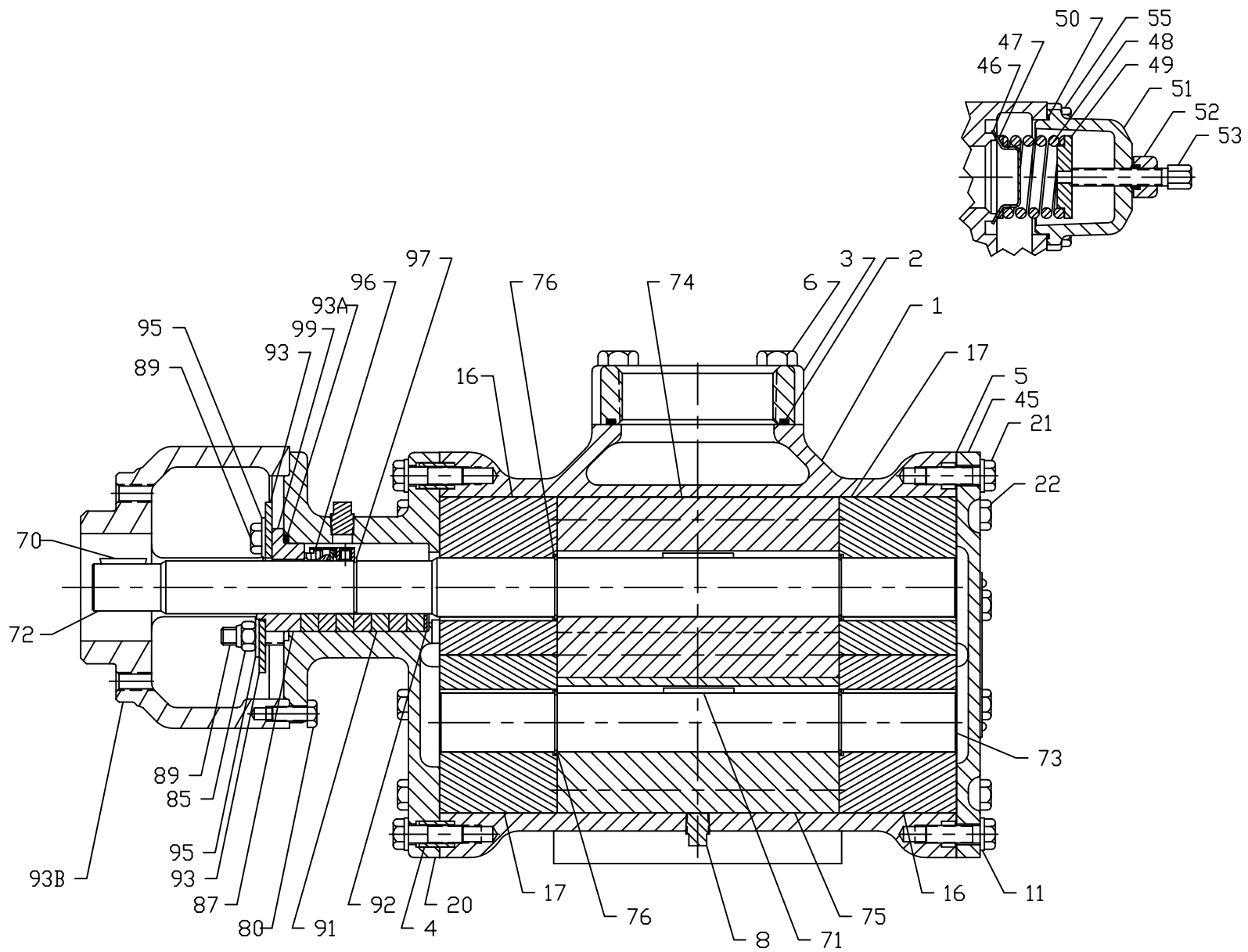


9622-9722 HBFRV

9622-9722 HBFRV

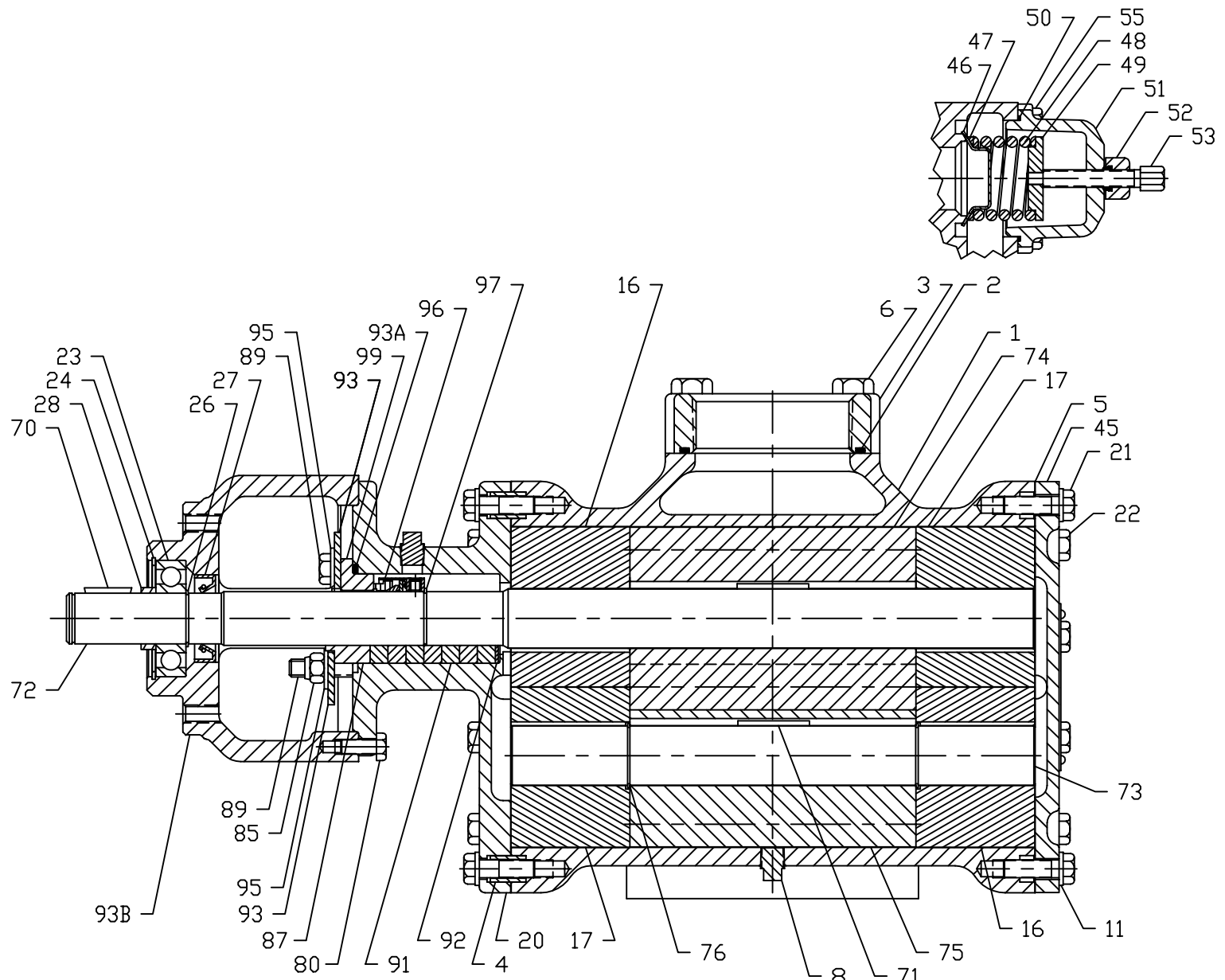
KEY NO.	DESCRIPTION	9622-9722	
		QTY	PART NO.
1	Case	1	CP1-414
2	"O" Ring, Flange	2	G70-20
3	Flange	2	CP23-71
4	Dowel Pin	2	D48-42
5	Case Gasket	2	G11-236
6	Hex Hd Cap Screw	8	G75-050175
8	Pipe Plug	5	G56-43
11	Lockwasher	4	G8-396
16	Brg Assy	2	N16-143
17	Brg Assy	2	N16-144
20	Backplate	1	CP2-1631
21	Hex Hd Cap Screw	4	G75-037150
22	Hex Hd Cap Screw	16	G75-037125
23	Ball Brg	1	G40-285
24	Ret Ring	1	G41-164
25	Lube Ftg	1	G63-1
45	Faceplate, RV	1	CP3-457
46	Poppet	1	D16-16
47	Adapter	1	G8-282
48	Spring, Std Press	1	G10-363
	Spring, High Press	1	G10-429
49	Spring Guide	1	D8-355
50	"O" Ring, RV Cap	1	G70-25
51	RV Body	1	CP24-24
52	Nut, Lock & Seal	1	G43-68
53	Adjusting Screw	1	G62-51
55	Hex Hd Cap Crew	4	G75-031075
70	Key, Drive	1	D30-171
71	Key, Gear	2	D30-168
72	Drive Shaft	1	D1-2573
73	Idler Shaft	1	D1-2599
74	Gear, LH	1	D6-704
75	Gear, RH	1	D6-705
76	Ret Ring	2	G41-146
80	Hex Hd Cap Crew	4	G75-031075
85	Locknut	2	G43-24
87	Pkg Gland	1	D45-218
89	Stud, Pkg	4	D22-273
	Hex Hd Cap Screw, Mech Seal	4	G75-037075
91	Pkg Rings	7	G14-838
92	Pkg Washer	1	D8-482
93	Seal Retainer	1	D8-480
93A	"O" Ring, Seal Face	1	G70-23
93B	Brg Cage	1	P4-479-18
95	Washer	4	G8-289
96	Mech Seal, Complete	1	G14-339
97	Ret Ring	1	G41-68
99	Seal Face	1	D23-347



9622-9722 BHFRV

9622-9722 BHFRV

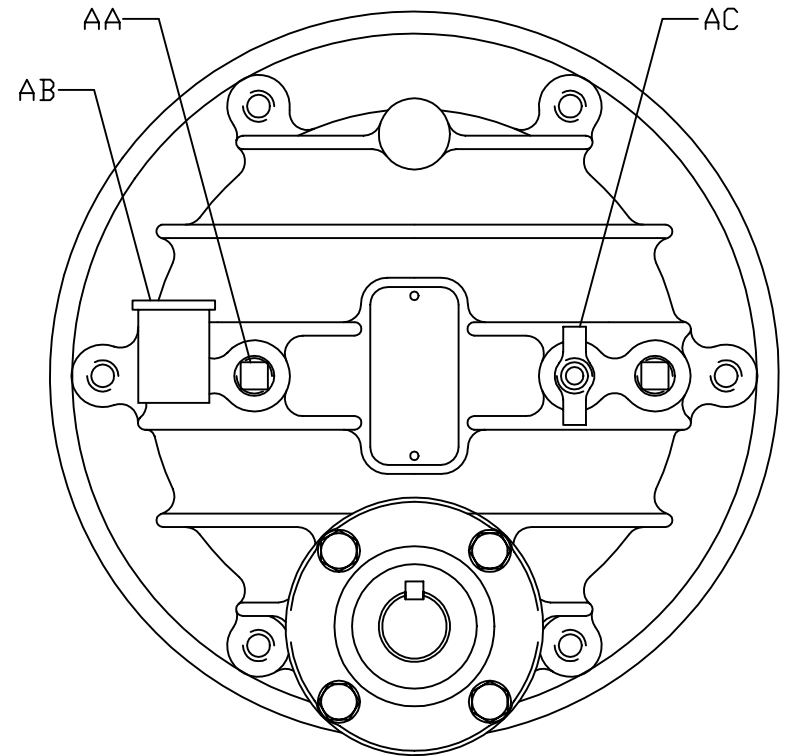
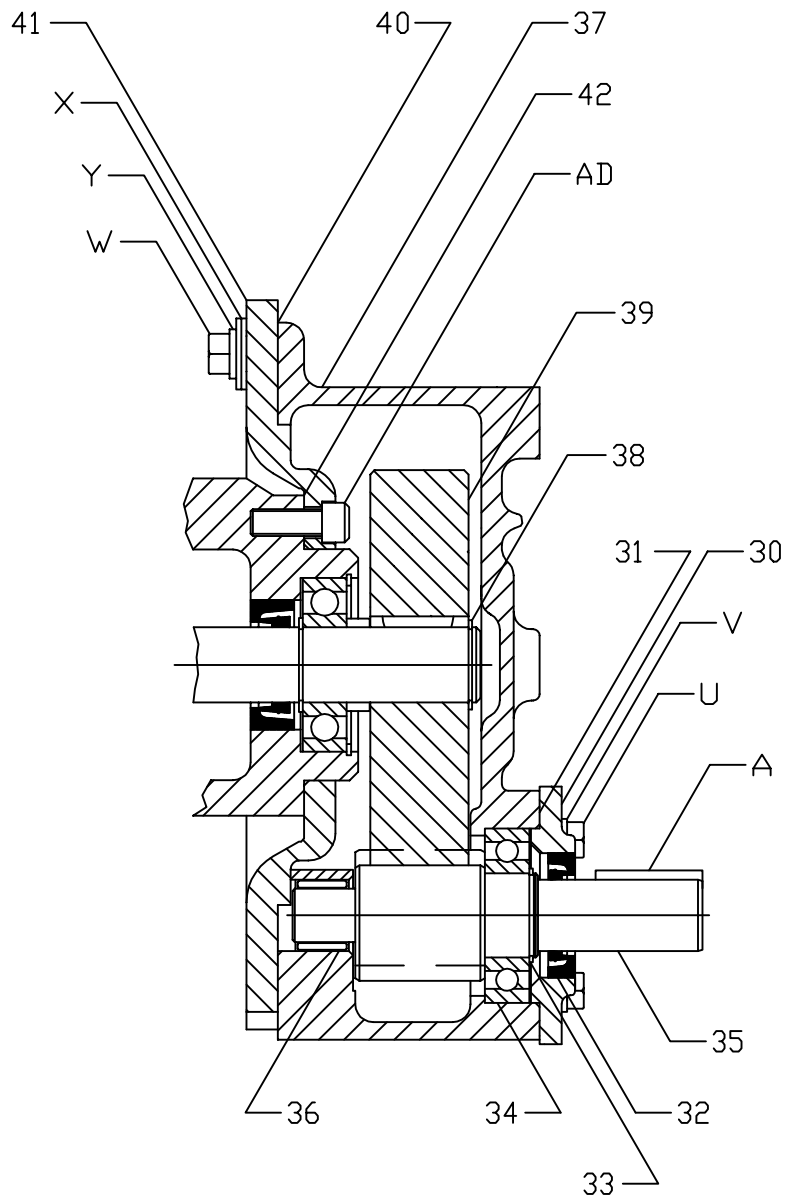
KEY NO.	DESCRIPTION	9622-9722	
		QTY	PART NO.
1	Case	1	CP1-414
2	"O" Ring, Flange	2	G70-20
3	Flange	2	CP23-71
4	Dowel Pin	2	D48-42
5	Case Gasket	2	G11-236
6	Hex Hd Cap Screw	8	G75-050175
8	Pipe Plug	5	G56-43
11	Lockwasher	4	G8-396
16	Brg Assy	2	N16-143
17	Brg Assy	2	N16-144
20	Backplate	1	CP2-1631
21	Hex Hd Cap Screw	4	G75-037150
22	Hex Hd Cap Screw	16	G75-037125
45	Faceplate, RV	1	CP3-457
46	Poppet	1	D16-16
47	Adapter	1	G8-282
48	Spring, Std Press	1	G10-363
	Spring, High Press	1	G10-429
49	Spring Guide	1	D8-355
50	"O" Ring, RV Cap	1	G70-25
51	RV Body	1	CP24-24
52	Nut, Lock & Seal	1	G43-68
53	Adjusting Screw	1	G62-51
55	Hex Hd Cap Crew	4	G75-031075
70	Key, Drive	1	D30-32
71	Key, Gear	2	D30-168
72	Drive Shaft	1	D1-2601
73	Idler Shaft	1	D1-2599
74	Gear, LH	1	D6-704
75	Gear, RH	1	D6-705
76	Ret Ring	4	G41-146
80	Hex Hd Cap Crew	4	G75-031075
85	Locknut	2	G43-24
87	Pkg Gland	1	D45-218
89	Stud, Pkg	4	D22-273
	Hex Hd Cap Screw, Mech Seal	4	G75-037075
91	Pkg Rings	7	G14-838
92	Pkg Washer	1	D8-482
93	Seal Retainer	1	D8-480
93A	"O" Ring, Seal Face	1	G70-23
93B	Brg Cage	1	P4-476-18
95	Washer	4	G8-289
96	Mech Seal, Complete	1	G14-339
97	Ret Ring	1	G41-68
99	Seal Face	1	D23-347



9622-9722 GHBFORV

9622-9722 GHBFORV

KEY NO.	DESCRIPTION	9622-9722	
		QTY	PART NO.
1	Case	1	CP1-414
2	"O" Ring, Flange	2	G70-20
3	Flange	2	CP23-71
4	Dowel Pin	2	D48-42
5	Case Gasket	2	G11-236
6	Hex Hd Cap Screw	8	G75-050175
8	Pipe Plug	5	G56-43
11	Lockwasher	4	G8-396
16	Brg Assy	2	N16-143
17	Brg Assy	2	N16-144
20	Backplate	1	CP2-1631
21	Hex Hd Cap Screw	4	G75-037150
22	Hex Hd Cap Screw	16	G75-037125
23	Ball Brg	1	G40-147
24	Ret Ring	1	G41-20
26	Ret Ring	1	G41-76
27	Lip Seal	1	G17-74
28	Spacer	1	D45-100
45	Faceplate, RV	1	CP3-457
46	Poppet	1	D16-16
47	Adapter	1	G8-282
48	Spring, Std Press	1	G10-363
	Spring, High Press	1	G10-429
49	Spring Guide	1	D8-355
50	"O" Ring, RV Cap	1	G70-25
51	RV Body	1	CP24-24
52	Nut, Lock & Seal	1	G43-68
53	Adjusting Screw	1	G62-51
55	Hex Hd Cap Crew	4	G75-031075
70	Key, Drive	1	D30-32
71	Key, Gear	2	D30-168
72	Drive Shaft	1	D1-2631
73	Idler Shaft	1	D1-2599
74	Gear, LH	1	D6-704
75	Gear, RH	1	D6-705
76	Ret Ring	2	G41-146
80	Hex Hd Cap Crew	4	G75-031075
85	Locknut	2	G43-24
87	Pkg Gland	1	D45-218
89	Stud, Pkg	4	D22-273
	Hex Hd Cap Screw, Mech Seal	4	G75-037075
91	Pkg Rings	7	G14-838
92	Pkg Washer	1	D8-482
93	Seal Retainer	1	D8-480
93A	"O" Ring, Seal Face	1	G70-23
93B	Brg Cage	1	P4-469-18
96	Mech Seal, Complete	1	G14-339
97	Ret Ring	1	G41-68
99	Seal Face	1	D23-347



N41-1

N41-XXX-1

KEY NO.	DESCRIPTION	N41-320-1		N41-394-1		N41-460-1	
		QTY	PART NO.	QTY	PART NO.	QTY	PART NO.
30	Bearing Retainer	1	P4-384	1	P4-384	1	P4-384
31	Bearing Retainer Gasket	1	D11-277	1	D11-277	1	D11-277
32	Lip Seal	1	D83-22	1	D83-22	1	D83-22
33	Retaining Ring	1	G41-78	1	G41-78	1	G41-78
34	Ball Bearing	1	G40-10	1	G40-10	1	G40-10
35	Pinion Gear and Shaft	1	D37-120	1	D37-117	1	D37-115
36	Needle Bearing	1	G40-30	1	G40-30	1	G40-30
37	Gear Case	1	P49-2	1	P49-2	1	P49-2
38	Retaining Ring	1	G41-76	1	G41-76	1	G41-76
39	Drive Gear	1	D37-64	1	D37-67	1	D37-69
40	Gear Case Gasket	1	D11-278	1	D11-278	1	D11-278
41	Gear Box Cover	1	P22-13	1	P22-13	1	P22-13
42	Cover Gasket	1	D11-276	1	D11-276	1	D11-276
A	Drive Key	1	D30-9	1	D30-9	1	D30-9
AA	Pipe Plug	2	G56-12	2	G56-12	2	G56-12
AB	Oil Cup	1	G61-239	1	G61-239	1	G61-239
AC	Petcock	1	G61-71	1	G61-71	1	G61-71
AD	Socket Head Cap Screw	4	G45-037100	4	G45-037100	4	G45-037100
U	Hex Head Cap Screw	4	G49-031075	4	G49-031075	4	G49-031075
V	Lockwasher	4	G8-71	4	G8-71	4	G8-71
W	Hex Head Cap Screw	6	G49-037125	6	G49-037125	6	G49-037125
X	Flat Washer	12	G8-52	12	G8-52	12	G8-52
Y	Lockwasher	6	G8-72	6	G8-72	6	G8-72